

RCA NO. 117
Canceling:

ORIGINAL

Sheet No. 1
Sheet No. _____

ACS OF FAIRBANKS, LLC d/b/a ALASKA COMMUNICATIONS SYSTEMS, ALASKA COMMUNICATIONS, ACS LOCAL SERVICE, AND ACS

**ACS OF FAIRBANKS, LLC
600 Telephone Avenue
ANCHORAGE, ALASKA 99503-6091**

**INTRASTATE
ACCESS SERVICES
TARIFF**

Tariff Advice 135-117

Issued to comply with Order No. 4 of the Regulatory Commission of Alaska in Docket No. U-13-188, dated April 22, 2014

Effective: February 20, 2015

Issued By: ACS OF FAIRBANKS, LLC

By:

Lisa Phillips

Title: Manager, Regulatory Affairs

ACS OF FAIRBANKS, LLC d/b/a ALASKA COMMUNICATIONS SYSTEMS, ALASKA COMMUNICATIONS, ACS LOCAL SERVICE, AND ACS

ACCESS SERVICES

TABLE OF CONTENTS

| | <u>Page No.</u> |
|---|-----------------|
| Table of Contents | 2 |
| Issuing and Concurring Carriers | 9 |
| Explanation of Symbols and Abbreviations | 10 |
| Reference to Other Tariffs | 12 |
| Reference to Technical Publications | 13 |
| | |
| 1. APPLICATION OF TARIFF | 1-1 |
| | |
| 2. GENERAL REGULATIONS | 2-1 |
| 2.1 Undertaking of the Telephone Company | 2-1 |
| 2.1.1 Scope | 2-1 |
| 2.1.2 Limitations | 2-1 |
| 2.1.3 Liability | 2-2 |
| 2.1.4 Provision of Services | 2-3 |
| 2.1.5 Maintenance of Services | 2-4 |
| 2.1.6 Changes and Substitutions | 2-4 |
| 2.1.7 Refusal and Discontinuance of Service | 2-5 |
| 2.1.8 Notification and Service-Affecting Activities | 2-6 |
| 2.1.9 Provision of Ownership of Telephone Numbers | 2-6 |
| 2.1.10 Coordination with Respect to Network Contingencies | 2-6 |
| 2.2 Use | 2-7 |
| 2.2.1 Interference or Impairment | 2-7 |
| 2.2.2 Unlawful Use | 2-7 |
| 2.3 Obligations of the Customer | 2-7 |
| 2.3.1 Damages | 2-7 |
| 2.3.2 Ownership of Facilities | 2-7 |
| 2.3.3 Equipment Space and Power | 2-8 |
| 2.3.4 Availability for Testing | 2-8 |
| 2.3.5 Balance | 2-8 |
| 2.3.6 Design of Customer Services | 2-8 |
| 2.3.7 Reference to the Telephone Company | 2-8 |
| 2.3.8 Claims and Demands for Damages | 2-9 |
| 2.3.9 Jurisdictional Reporting Requirements | 2-10 |

Tariff Advice 135-117

Issued to comply with Order No. 4 of the Regulatory Commission of Alaska in Docket No. U-13-188, dated April 22, 2014

Effective: February 20, 2015

Issued By: ACS OF FAIRBANKS, LLC

By:

Lisa Phillips

Title: Manager, Regulatory Affairs

ACS OF FAIRBANKS, LLC d/b/a ALASKA COMMUNICATIONS SYSTEMS, ALASKA COMMUNICATIONS, ACS LOCAL SERVICE, AND ACS

ACCESS SERVICES

TABLE OF CONTENTS

| | <u>Page No.</u> |
|--|-----------------|
| 2. GENERAL REGULATIONS (Continued) | |
| 2.4 Payment Arrangement and Credit Allowance | 2-13 |
| 2.4.1 Payment of Rates, Charges and Deposits | 2-13 |
| 2.4.2 Minimum Periods | 2-18 |
| 2.4.3 Credit Allowance for Service Interruptions | 2-19 |
| 2.4.4 Title or Ownership Rights | 2-21 |
| 2.4.5 Re-establishment of Service Following Fire, Flood, or Other Occurrence | 2-21 |
| 2.5 Connections | 2-21 |
| 2.5.1 General | 2-21 |
| 2.6 Definitions | 2-22 |
| 2.7 Audit Provisions | 2-36 |
| 2.8 Dispute Resolution | 2-36 |
| 3. CARRIER COMMON LINE ACCESS SERVICE | 3-1 |
| 3.1 General Description | 3-1 |
| 3.2 Limitations | 3-1 |
| 3.3 Undertaking of the Telephone Company | 3-2 |
| 3.4 Obligations of the Customer | 3-2 |
| 3.5 Rate Regulation | |
| 4. END USER ACCESS SERVICE | 4-1 |
| 4.1 General Description | 4-1 |
| 4.2 Limitations | 4-1 |
| 4.3 Undertaking of the Telephone Company | 4-1 |
| 4.4 Payment Arrangements and Credit Allowances | 4-2 |
| 5. ORDERING OPTIONS FOR SWITCHED AND SPECIAL ACCESS SERVICE | 5-1 |
| 5.1 General | 5-1 |
| 5.1.1 Ordering Conditions | 5-1 |
| 5.1.2 Provision of Other Services | 5-2 |
| 5.1.3 Expedited Orders | 5-2 |

Tariff Advice 135-117

Issued to comply with Order No. 4 of the Regulatory Commission of Alaska in Docket No. U-13-188, dated April 22, 2014

Effective: February 20, 2015

Issued By: ACS OF FAIRBANKS, LLC

By: _____
Lisa Phillips

Title: Manager, Regulatory Affairs

ACS OF FAIRBANKS, LLC d/b/a ALASKA COMMUNICATIONS SYSTEMS, ALASKA COMMUNICATIONS, ACS LOCAL SERVICE, AND ACS

ACCESS SERVICES

TABLE OF CONTENTS

| | <u>Page No.</u> |
|---|-----------------|
| 5. ORDERING OPTIONS FOR SWITCHED AND SPECIAL ACCESS SERVICE (Continued) | |
| 5.2 Access Order | 5-2 |
| 5.3 Access Order Service Intervals | 5-8 |
| 5.4 Access Order Change Charges | 5-8 |
| 5.5 Selection of Facilities for Access Orders | 5-9 |
| 5.6 Charges Associated with Access Ordering | 5-9 |
| 5.6.1 Access Order Charge | 5-9 |
| 5.6.2 Misc. Service Order Charge | 5-10 |
| 5.6.3 Service Date Change | 5-11 |
| 5.6.4 Design Change | 5-12 |
| 5.7 Minimum Periods and Cancellations | 5-13 |
| 5.7.1 Minimum Periods | 5-13 |
| 5.7.2 Development of Minimum Period Charges | 5-13 |
| 5.7.3 Cancellation of an Access Order | 5-14 |
| 5.7.4 Partial Cancellation Charge | 5-15 |
| 6. SWITCHED ACCESS SERVICE | 6-1 |
| 6.1 General | 6-1 |
| 6.2 Rate Categories | 6-1 |
| 6.3 Provision and Description of Switched Access Service Feature Groups | 6-10 |
| 6.3.1 Feature Group A (FGA) | 6-10 |
| 6.3.2 Feature Group B (FGB) | 6-15 |
| 6.3.3 Feature Group D (FGD) | 6-19 |
| 6.4 WATS Access Line | 6-24 |
| 6.5 Transmission Specifications | 6-24 |
| 6.6 Obligation of the Telephone Company | 6-25 |
| 6.6.1 Network Management | 6-26 |
| 6.6.2 Provision of Performance Data | 6-26 |
| 6.6.3 Trunk Group Measurement Reports | 6-26 |
| 6.6.4 Determination of Number of Transmission Paths | 6-26 |
| 6.6.5 Design Blocking Measurement | 6-26 |
| 6.6.6 Design Layout Report | 6-28 |
| 6.6.7 Testing | 6-29 |

Tariff Advice 135-117

Issued to comply with Order No. 4 of the Regulatory Commission of Alaska in Docket No. U-13-188, dated April 22, 2014

Effective: February 20, 2015

Issued By: ACS OF FAIRBANKS, LLC

By: _____
Lisa Phillips

Title: Manager, Regulatory Affairs

ACS OF FAIRBANKS, LLC d/b/a ALASKA COMMUNICATIONS SYSTEMS, ALASKA COMMUNICATIONS, ACS LOCAL SERVICE, AND ACS

ACCESS SERVICES

TABLE OF CONTENTS

| | <u>Page No.</u> |
|--|-----------------|
| 6. SWITCHED ACCESS SERVICE (Continued) | |
| 6.7 Obligation of the Customer | 6-29 |
| 6.7.1 Supervisory Signaling | 6-29 |
| 6.7.2 Trunk Group Management Reports | 6-30 |
| 6.8 Rate Regulations | 6-30 |
| 6.8.1 Application of Rates and Charges | 6-30 |
| 6.8.2 Carrier Common Line | 6-33 |
| 6.8.3 Measuring Access Minutes | 6-33 |
| 6.8.4 Application of Rates for Extension Service | 6-39 |
| 6.8.5 Network Blocking | 6-39 |
| 6.8.6 800 Data Base Access Service | 6-40 |
| 6.9 Common Switching, Transport Termination and Interim NXX Optional Features | 6-41 |
| 6.9.1 Common Switching Nonchargeable Optional Features | 6-41 |
| 6.9.2 Transport Termination Nonchargeable | 6-50 |
| 6.9.3 Chargeable Optional Features | 6-51 |
| 7. SPECIAL ACCESS SERVICE | 7-1 |
| 7.1 General | 7-1 |
| 7.1.1 Channel Types | 7-1 |
| 7.1.2 Service Descriptions | 7-3 |
| 7.1.3 Service Configurations | 7-5 |
| 7.1.4 Alternate Use | 7-10 |
| 7.1.5 Special Facilities Routing | 7-10 |
| 7.1.6 Design Layout Report | 7-10 |
| 7.1.7 Acceptance Testing | 7-11 |
| 7.1.8 Ordering Options and Conditions | 7-11 |
| 7.2 Rate Regulations | 7-12 |
| 7.2.1 Rate Categories | 7-12 |
| 7.2.2 Types of Rates and Charges | 7-15 |
| 7.2.3 Moves | 7-18 |
| 7.2.4 Mileage Measurement | 7-19 |
| 7.2.5 Facility Hubs | 7-20 |
| 7.2.6 Mixed Use Analog and Digital High Capacity Services | 7-22 |

Tariff Advice 135-117

Issued to comply with Order No. 4 of the Regulatory Commission of
Alaska in Docket No. U-13-188, dated April 22, 2014

Effective: February 20, 2015

Issued By: ACS OF FAIRBANKS, LLC

By: _____
Lisa Phillips

Title: Manager, Regulatory Affairs

ACS OF FAIRBANKS, LLC d/b/a ALASKA COMMUNICATIONS SYSTEMS, ALASKA COMMUNICATIONS, ACS LOCAL SERVICE, AND ACS

ACCESS SERVICES

TABLE OF CONTENTS

| | <u>Page No.</u> |
|---|-----------------|
| 7. SPECIAL ACCESS SERVICE (Continued) | |
| 7.3 Surcharge for Special Access Service | 7-24 |
| 7.3.1 General | 7-24 |
| 7.3.2 Application | 7-24 |
| 7.3.3 Exemption of Special Access Service Surcharge | 7-25 |
| 7.3.4 Rate Regulations | 7-25 |
| 7.4 Voice Grade Service | 7-26 |
| 7.4.1 Basic Channel Description | 7-26 |
| 7.4.2 Technical Specifications Package and Network Channel Interfaces | 7-27 |
| 7.4.3 Chargeable Optional Features and Functions | 7-27 |
| 7.5 Program Audio Service (Closed Circuit) | 7-32 |
| 7.5.1 Basic Channel Description | 7-32 |
| 7.5.2 Technical Specification Packages and Network Channel Interfaces | 7-33 |
| 7.5.3 Optional Features and Functions | 7-33 |
| 7.6 Video Services (Closed Circuit) | 7-33 |
| 7.6.1 Basic Channel Description | 7-33 |
| 7.6.2 Technical Specification Packages and Network Channel Interfaces | 7-34 |
| 7.7 Digital Data Service | 7-35 |
| 7.7.1 Basic Channel Description | 7-35 |
| 7.7.2 Technical Specification Packages and Network Channel Interfaces | 7-36 |
| 7.7.3 Chargeable Optional Features and Functions | 7-36 |
| 7.8 High Capacity Service | 7-38 |
| 7.8.1 Basic Channel Description | 7-38 |
| 7.8.2 Technical Specification Packages and Network Channel Interfaces | 7-39 |
| 7.8.3 Chargeable Optional Features and Functions | 7-39 |
| 7.9 Individual Case Filings | 7-41 |

Tariff Advice 135-117

Issued to comply with Order No. 4 of the Regulatory Commission of Alaska in Docket No. U-13-188, dated April 22, 2014

Effective: February 20, 2015

Issued By: ACS OF FAIRBANKS, LLC

By:

Lisa Phillips

Title: Manager, Regulatory Affairs

ACS OF FAIRBANKS, LLC d/b/a ALASKA COMMUNICATIONS SYSTEMS, ALASKA COMMUNICATIONS, ACS LOCAL SERVICE, AND ACS

ACCESS SERVICES

TABLE OF CONTENTS

| | <u>Page No.</u> |
|--|-----------------|
| 8. SPECIAL FACILITIES AND SPECIALIZED SERVICE | 8-1 |
| 8.1 Description | 8-1 |
| 8.1.1 Diversity | 8-1 |
| 8.1.2 Avoidance | 8-1 |
| 8.1.3 Diversity and Avoidance Combined | 8-1 |
| 8.1.4 Cable-Only Facilities | 8-1 |
| 8.2 Specialized Service or Arrangements | 8-2 |
| 9. ADDITIONAL ENGINEERING, ADDITIONAL LABOR AND MISCELLANEOUS SERVICES | 9-1 |
| 9.1 Additional Engineering | 9-1 |
| 9.2 Additional Labor | 9-1 |
| 9.2.1 Overtime Installation | 9-1 |
| 9.2.2 Overtime Repair | 9-1 |
| 9.2.3 Stand by | 9-2 |
| 9.2.4 Testing and Maintenance with Other Telephone Companies | 9-2 |
| 9.2.5 Testing Services | 9-2 |
| 9.2.6 Other Labor | 9-2 |
| 9.3 Miscellaneous Services | 9-3 |
| 9.3.1 Testing Services | 9-3 |
| 9.3.2 Maintenance of Services | 9-8 |
| 9.3.3 Telecommunications Service Priority | 9-8 |
| 9.3.4 Access to Intrastate Interexchange Carriers | 9-10 |
| 9.3.5 Blocking Service | 9-11 |
| 10. SPECIAL CONSTRUCTION | 10-1 |
| 10.1 General | 10-1 |
| 10.2 Conditions Requiring Special Construction | 10-1 |

Tariff Advice 135-117

Issued to comply with Order No. 4 of the Regulatory Commission of Alaska in Docket No. U-13-188, dated April 22, 2014

Effective: February 20, 2015

Issued By: ACS OF FAIRBANKS, LLC

By:

Lisa Phillips

Title: Manager, Regulatory Affairs

ACS OF FAIRBANKS, LLC d/b/a ALASKA COMMUNICATIONS SYSTEMS, ALASKA COMMUNICATIONS, ACS LOCAL SERVICE, AND ACS

ACCESS SERVICES

TABLE OF CONTENTS

| | <u>Page No.</u> |
|---|-----------------|
| 11. ACCESS SERVICE INTERFACES AND TRANSMISSION SPECIFICATIONS | 11-1 |
| 11.1 Switched Access Service | 11-1 |
| 11.1.1 Transport Interface Groups | 11-1 |
| 11.1.2 Standard Transmission Specifications | 11-10 |
| 11.1.3 Data Transmission Parameters | 11-18 |
| 11.2 Special Access Service | 11-22 |
| 11.2.1 Network Channel (NC) Codes | 11-26 |
| 11.2.2 Network Channel Interface (NCI) Codes | 11-34 |
| 12. PUBLIC PACKET DATA NETWORK | 12-1 |
| 12.1 Frame Relay Service | 12-1 |
| 12.1.1 General | 12-1 |
| 12.1.2 Rate Regulations | 12-5 |
| 13. RATES AND CHARGES | 13-1 |
| 13.1 Carrier Common Line Charges | 13-1 |
| 13.2 Switched Access Service | 13-1 |
| 13.3 Special Access Service | 13-3 |
| 13.4 Additional Engineering, Additional Labor and Miscellaneous Service | 13-8 |

Tariff Advice 135-117

Issued to comply with Order No. 4 of the Regulatory Commission of Alaska in Docket No. U-13-188, dated April 22, 2014

Effective: February 20, 2015

Issued By: ACS OF FAIRBANKS, LLC

By: _____
Lisa Phillips

Title: Manager, Regulatory Affairs

ACS OF FAIRBANKS, LLC d/b/a ALASKA COMMUNICATIONS SYSTEMS, ALASKA COMMUNICATIONS, ACS LOCAL SERVICE, AND ACS

ACCESS SERVICES

ISSUING CARRIER

ACS OF FAIRBANKS, LLC
600 Telephone Avenue
Anchorage, Alaska 99503

CONCURRING CARRIERS

NO CONCURRING CARRIERS

CONNECTING CARRIERS

NO CONNECTING CARRIERS

OTHER PARTICIPATING CARRIERS

NO OTHER PARTICIPATING CARRIERS

REGISTERED SERVICE MARKS

NONE

REGISTERED TRADEMARKS

NONE

Tariff Advice 135-117

Issued to comply with Order No. 4 of the Regulatory Commission of Alaska in Docket No. U-13-188, dated April 22, 2014

Effective: February 20, 2015

Issued By: ACS OF FAIRBANKS, LLC

By: _____
Lisa Phillips

Title: Manager, Regulatory Affairs

ACS OF FAIRBANKS, LLC d/b/a ALASKA COMMUNICATIONS SYSTEMS, ALASKA COMMUNICATIONS, ACS LOCAL SERVICE, AND ACS

ACCESS SERVICES

EXPLANATION OF SYMBOLS

- (R) - To denote a reduction.
- (I) - To denote an increase.
- (C) - To denote a changed condition or regulation.
- (T) - To denote a change in text for clarification.
- (S) - To denote reissued matter.
- (L) - To denote that material has been relocated from or to another sheet or place in the tariff with no change in text, rate, rule, or condition. matter.
- (N) - To denote a new rate, regulation, condition, or sheet.
- (D) - To denote a discontinued rate, regulation or condition.

EXPLANATION OF ABBREVIATIONS

- Ac - alternating current
- ANI - Automatic Number Identification
- AT&T - American Telephone and Telegraph Company

- BD - Business Day
- BHMC - Busy Hour Minutes of Capacity

- CCS - Centum Call Seconds
- CCS - Common Channel Signaling
- CIR - Committed Information Rate
- CNP - Charge Number Parameter
- CO - Central Office
- Cont'd - Continued
- CPE - Customer Premises Equipment
- CPN - Calling Party Number
- CSP - Carrier Selection Parameter

- DA - Directory Assistance
- dB - Decibel
- dBrnC - Decibel Reference Noise C-Message Weighting
- dBrnC0 - Decibel Reference Noise C-Message Weighted 0
- Dc - direct current
- DDD - Direct Distance Dialing

- EAS - Extended Area Service
- EDD - Envelope Delay Distortion
- EML - Expected Measured Loss
- EPL - Echo Path Loss
- ERL - Echo Return Loss
- ESS - Electronic Switching System
- ESSX - Electronic Switching System Exchange

Tariff Advice 135-117

Issued to comply with Order No. 4 of the Regulatory Commission of Alaska in Docket No. U-13-188, dated April 22, 2014

Effective: February 20, 2015

Issued By: ACS OF FAIRBANKS, LLC

By:

Lisa Phillips

Title: Manager, Regulatory Affairs

ACS OF FAIRBANKS, LLC d/b/a ALASKA COMMUNICATIONS SYSTEMS, ALASKA COMMUNICATIONS, ACS LOCAL SERVICE, AND ACS

ACCESS SERVICES

EXPLANATION OF ABBREVIATIONS (Cont'd)

| | | |
|------|---|---------------------------------------|
| F | - | frequency |
| FCC | - | Federal Communications Commission |
| FRAS | - | Frame Relay Access Service |
| FX | - | Foreign Exchange |
| Hz | - | Hertz |
| ICB | - | Individual Case Basis |
| IXC | - | Interexchange Carrier |
| Kbps | - | kilobits per second |
| KHz | - | kilohertz |
| LAN | - | Local Area Network |
| LATA | - | Local Access and Transport Area |
| ma | - | Milliamperes |
| Mbps | - | Megabits per second |
| mcs | - | microsecond |
| MHz | - | Megahertz |
| MMUC | - | Minimum Monthly Usage Charge |
| MRC | - | Monthly Recurring Charge |
| MT | - | Metallic |
| MTS | - | Message Telecommunications Service(s) |
| NPA | - | Numbering Plan Area |
| NRC | - | Non-recurring Charge |
| NTS | - | Non-Traffic Sensitive |
| NXX | - | Three Digit Central Office Code |
| PBX | - | Private Branch Exchange |
| PCM | - | Pulse Code Modulation |
| PIC | - | Presubscribed Interexchange Carrier |
| POT | - | Point of Termination |
| PVC | - | Permanent Virtual Connection |
| TS | - | Traffic Sensitive |
| TSPS | - | Traffic Sensitive Position System |
| TV | - | Television |
| USOC | - | Uniform Service Order Code |
| VG | - | Voice Grade |
| V&H | - | Vertical and Horizontal |
| WATS | - | Wide Area Telecommunications Service |

Tariff Advice 135-117

Issued to comply with Order No. 4 of the Regulatory Commission of Alaska in Docket No. U-13-188, dated April 22, 2014

Effective: February 20, 2015

Issued By: ACS OF FAIRBANKS, LLC

By: _____
Lisa Phillips

Title: Manager, Regulatory Affairs

ACS OF FAIRBANKS, LLC d/b/a ALASKA COMMUNICATIONS SYSTEMS, ALASKA COMMUNICATIONS, ACS LOCAL SERVICE, AND ACS

ACCESS SERVICES

REFERENCE TO OTHER TARIFFS

Whenever reference is made in this tariff to other tariffs of the Company, the reference is to the tariffs in force as of the effective date of this tariff, and to amendments thereto and successive issues thereof.

Tariff Advice 135-117

Issued to comply with Order No. 4 of the Regulatory Commission of Alaska in Docket No. U-13-188, dated April 22, 2014

Effective: February 20, 2015

Issued By: ACS OF FAIRBANKS, LLC

By:

Lisa Phillips

Title: Manager, Regulatory Affairs

ACS OF FAIRBANKS, LLC d/b/a ALASKA COMMUNICATIONS SYSTEMS, ALASKA COMMUNICATIONS, ACS LOCAL SERVICE, AND ACS

ACCESS SERVICES

REFERENCE TO TECHNICAL PUBLICATIONS

The following technical publications are referenced in this tariff and may be obtained from Bell Communications Research, Inc., Distribution Storage Center, 60 New England Ave., Piscataway, NJ 08854.

Technical Reference

- | | | |
|-----|--|-------------------------|
| 1. | PUB 41451 Issued: January, 1983 | Available: May 17, 1993 |
| 2. | PUB 41004 Issued: October 1973 | Available: October 1973 |
| 3. | TR-NPL-000334 Issued: February 1987 | |
| 4. | TR-NPL-000335 Issued: February 1987 | |
| 5. | TR-NPL-000337 Issued: July 1987 | |
| 6. | TR-NPL-000341 Issued: March 1989 | |
| 7. | SR-ISD-000307 Issued: March 1988 | |
| 8. | TR-TSV-001370 Issued: May 1993 | |
| 9. | PUB 62508 Issued: December 1983 | Available: January 1984 |
| 10. | PUB 62310 Issued: September 1983 | Available: October 1983 |
| 11. | PUB 62411 Issued: September 1983 | Available: October 1983 |

The following technical publications are referenced on Tariff Sheet No. 9-8, and may be obtained from National Communications System, Washington, D.C. 20305-2010.

- | | | |
|-----|---|--|
| 14. | NCS Handbook 3-1-2 Issued July 9, 1990 | |
| 15. | NCS Manual 3-1-1 Issued July 9, 1990 | |

Tariff Advice 135-117

Issued to comply with Order No. 4 of the Regulatory Commission of Alaska in Docket No. U-13-188, dated April 22, 2014

Effective: February 20, 2015

Issued By: ACS OF FAIRBANKS, LLC

By:

Lisa Phillips

Title: Manager, Regulatory Affairs

ACS OF FAIRBANKS, LLC d/b/a ALASKA COMMUNICATIONS SYSTEMS, ALASKA COMMUNICATIONS, ACS LOCAL SERVICE, AND ACS

ACCESS SERVICES

REFERENCE TO TECHNICAL PUBLICATIONS (Cont'd)

The following technical publication is referenced in this tariff and may be obtained from Bell Communications Technical Education Center, Room B02, 6200 Route 53, Lisle, IL 60532:

Telecommunications Transmission Engineering
Volume 3 - Networks and Services (Chapters 6 and 7)

Second Edition, 1980

Issued: June, 1980

Available: June, 1980

The following technical publication is referenced in this tariff and may be obtained from the National Exchange Carrier Association, Inc., Director - Tariff and Regulatory Matters, 100 S. Jefferson Road, Whippany, NJ 07981 and the Federal Communications Commission's commercial contractor.

PUB AS No. 1 - Issue II

Issued: May, 1984

Addendum: March, 1987

Available: May, 1984

Tariff Advice 135-117

Issued to comply with Order No. 4 of the Regulatory Commission of Alaska in Docket No. U-13-188, dated April 22, 2014

Effective: February 20, 2015

Issued By: ACS OF FAIRBANKS, LLC

By:

Lisa Phillips

Title: Manager, Regulatory Affairs

ACS OF FAIRBANKS, LLC d/b/a ALASKA COMMUNICATIONS SYSTEMS, ALASKA COMMUNICATIONS, ACS LOCAL SERVICE, AND ACS

ACCESS SERVICES

1. APPLICATION OF THE TARIFF

- 1.1 This tariff contains regulations, rates and charges applicable to the provision of Carrier Common Line, End User Access, Switched Access and Special Access Services, Public Packet Data Network, and other miscellaneous services offered by ACS of Fairbanks, LLC
- 1.2 The provision of such services by the Company as set forth in this tariff does not constitute a joint undertaking with the customer for the furnishing of any service.

Tariff Advice 135-117

Issued to comply with Order No. 4 of the Regulatory Commission of Alaska in Docket No. U-13-188, dated April 22, 2014

Effective: February 20, 2015

Issued By: ACS OF FAIRBANKS, LLC

By:

Lisa Phillips

Title: Manager, Regulatory Affairs

ACS OF FAIRBANKS, LLC d/b/a ALASKA COMMUNICATIONS SYSTEMS, ALASKA COMMUNICATIONS, ACS LOCAL SERVICE, AND ACS

ACCESS SERVICES

2. General Regulations

2.1 Undertaking of the Company

2.1.1 Scope

- A. The Company does not undertake to transmit messages under this tariff.
- B. The Company shall be responsible only for the installation, operation, and maintenance of the service it provides.
- C. The Company will, for maintenance purposes, test its services only to the extent necessary to detect and/or clear troubles.
- D. Services are provided 24 hours daily, seven days per week, except as set forth in other sections of this tariff.

2.1.2 Limitations

- A. The customer may assign or transfer the use of services under this tariff if there is no interruption in, or relocation of, services. The assignee or transferee must agree to assume all outstanding indebtedness for services provided under this tariff and any termination liability associated with the services provided. The customer will remain jointly liable with the assignee or transferee for any obligations existing at the time of the assignment.

Prior to assignment, the Company must acknowledge in writing that all requirements have been met. Acknowledgement will be made within fifteen days after the Company has been notified of the proposed assignment.

- B. All services offered in this tariff will be provided on a first-come first-served basis.

Tariff Advice 135-117

Issued to comply with Order No. 4 of the Regulatory Commission of Alaska in Docket No. U-13-188, dated April 22, 2014 Effective: February 20, 2015

Issued By: ACS OF FAIRBANKS, LLC

By: _____
Lisa Phillips

Title: Manager, Regulatory Affairs

ACS OF FAIRBANKS, LLC d/b/a ALASKA COMMUNICATIONS SYSTEMS, ALASKA COMMUNICATIONS, ACS LOCAL SERVICE, AND ACS

ACCESS SERVICES

2. General Regulations (Cont'd)

2.1 Undertaking of the Telephone Company (Cont'd)

2.1.3 Liability

- A. Except in the case of willful misconduct for which the Company's liability is not limited by this tariff, the Company's liability for damages shall not exceed an amount equal to the proportionate tariff charge for the period during which the service was affected. This liability for damages shall be in addition to any amounts that may be due the customer as described in Section 2.4.3.
- B. The Company shall not be liable for any act or omission of any other carriers or customer providing a portion of a service, nor shall the Company for its own act or omission hold liable any other carrier or customer providing a portion of a service.
- C. The Company is not liable for damages to the customer premises resulting from the furnishing of a service, including the installation and removal of equipment and associated wiring, unless the damage is caused by the Company's negligence.
- D. The Company shall be indemnified, defended and held harmless by the end user against any claim, loss or damage arising from the end user's use of services offered under this tariff, involving:
 - 1. Claims for libel, slander, invasion of privacy, or infringement of copyright arising from the end user's own communications;
 - 2. Claims for patent infringement arising from the end user's acts combining or using the service furnished by the Company in connection with facilities or equipment furnished by the end users or Intrastate Interexchange Carriers ("IXC") or;
 - 3. All other claims arising out of any act or omission of the end user in the course of using services provided pursuant to this tariff.

Tariff Advice 135-117

Issued to comply with Order No. 4 of the Regulatory Commission of Alaska in Docket No. U-13-188, dated April 22, 2014 Effective: February 20, 2015

Issued By: ACS OF FAIRBANKS, LLC

By:

Lisa Phillips

Title: Manager, Regulatory Affairs

ACS OF FAIRBANKS, LLC d/b/a ALASKA COMMUNICATIONS SYSTEMS, ALASKA COMMUNICATIONS, ACS LOCAL SERVICE, AND ACS

ACCESS SERVICES

2. General Regulations (Cont'd)

2.1 Undertaking of the Company (Cont'd)

2.1.3 Liability (Cont'd)

E. The Company shall be indemnified, defended and held harmless by the IXC against any claim, loss or damage arising from the IXC's use of services offered under this tariff involving;

1. Claims for libel, slander, invasion of privacy, or infringement of copyright arising from the IXC's own communications;
2. Claims for patent infringement arising from the IXC's acts combining or using the service furnished by the Company in connection with facilities or equipment furnished by the end user or IXC or;
3. All other claims arising out of any act or omission of the IXC in the course of using services provided pursuant to this tariff.

F. The Company's failure to provide or maintain services under this tariff shall be excused by labor difficulties, governmental orders, civil commotions, criminal actions taken against the Company, acts of God and other circumstances beyond the Company's reasonable control, subject to the Credit Allowance for a Service Interruption as set forth in Section 2.4.3.

2.1.4 Provision of Service

The Company's obligation to furnish the services described in this tariff is dependent upon its ability to provide such services.

The Company will provide the services it is reasonably capable of providing and it will provide a written explanation of its inability to provide services when denying requests for service under this Section.

Tariff Advice 135-117

Issued to comply with Order No. 4 of the Regulatory Commission of Alaska in Docket No. U-13-188, dated April 22, 2014 Effective: February 20, 2015

Issued By: ACS OF FAIRBANKS, LLC

By:

Lisa Phillips

Title: Manager, Regulatory Affairs

ACS OF FAIRBANKS, LLC d/b/a ALASKA COMMUNICATIONS SYSTEMS, ALASKA COMMUNICATIONS, ACS LOCAL SERVICE, AND ACS

ACCESS SERVICES

2. General Regulations (Cont'd)

2.1 Undertaking of the Company (Cont'd)

2.1.5 Maintenance of Services

The services provided under this tariff shall be maintained by the Company. The customer or others may not rearrange, move, disconnect, remove or attempt to repair any facilities provided by the Company other than by connection or disconnection to any interface, without the written consent of the Company.

2.1.6 Changes and Substitutions

Except as provided for equipment and systems subject to 47 CFR Part 68 Section 68.110(b), the Company may, where such action is reasonably required in the operation of its business:

- A. change any facilities used in providing service under this tariff;
- B. change minimum protection criteria;
- C. change operating or maintenance characteristics of facilities; or
- D. change operations or procedures of the Company.

The Company shall not be responsible if the change renders customer furnished services obsolete or requires modification of the customer-furnished services. If such change materially affects the operating characteristics of the facility, the Company will provide reasonable notification to the customer in writing. Reasonable time will be allowed for any redesign and implementation required by the changes made.

The Company will work cooperatively with the customer to determine reasonable notification procedures.

Tariff Advice 135-117

Issued to comply with Order No. 4 of the Regulatory Commission of Alaska in Docket No. U-13-188, dated April 22, 2014 Effective: February 20, 2015

Issued By: ACS OF FAIRBANKS, LLC

By:

Lisa Phillips

Title: Manager, Regulatory Affairs

ACS OF FAIRBANKS, LLC d/b/a ALASKA COMMUNICATIONS SYSTEMS, ALASKA COMMUNICATIONS, ACS LOCAL SERVICE, AND ACS

ACCESS SERVICES

2. General Regulations (Cont'd)

2.1 Undertaking of the Company (Cont'd)

2.1.7 Refusal and Discontinuance of Service

- A. Unless the provisions of Section 2.2.1.B apply, if a customer fails to comply with this tariff, the Company may:
1. Send notice by Certified U.S. Mail to the person designated by that customer to receive such written notice that the Company will proceed as specified under Section 2.1.7.A.2.
 2. Fifteen calendar days after sending the notice to the customer, the Company will:
 - a. Refuse to accept additional applications for service and/or refuse to complete any pending orders for service by the non-complying customer at any time after the date of advising is sent.
 - b. Discontinue the provision of the services to the non-complying customer at any time thereafter.
 3. In the case of discontinuance, all applicable charges, including termination charges, shall become due and the Company will deny access to the defaulting IXC.
- B. At this time, the Company will execute upon the delinquent customer's payment bond, letter of credit, or cash deposit and initiate any other appropriate legal action. If the Company does not discontinue the provision of the services involved on the date specified within the fifteen (15) calendar days notice, and the customer's noncompliance continues, nothing contained herein shall preclude the Company's right to discontinue the provision of the services to the non-complying customer without further notice.
- C. In the event the account is not paid in accordance with the fifteen (15) calendar days notice and the defaulting IXC's service has been discontinued, end user customers will have recourse by dialing 10XXX, or such other dialing arrangements as appropriate to complete long distance calls through alternate IXC's.

Tariff Advice 135-117

Issued to comply with Order No. 4 of the Regulatory Commission of Alaska in Docket No. U-13-188, dated April 22, 2014 Effective: February 20, 2015

Issued By: ACS OF FAIRBANKS, LLC

By: _____
Lisa Phillips

Title: Manager, Regulatory Affairs

ACS OF FAIRBANKS, LLC d/b/a ALASKA COMMUNICATIONS SYSTEMS, ALASKA COMMUNICATIONS, ACS LOCAL SERVICE, AND ACS

ACCESS SERVICES

2. General Regulations (Cont'd)

2.1 Undertaking of the Company (Cont'd)

2.1.7 Refusal and Discontinuance of Service (Cont'd)

- D. As soon as the Company discontinues service to an IXC, the Company will provide a recorded message to all of the IXC's end users that the service is terminated. End users will be informed of available dialing alternatives and how to obtain intrastate interexchange service through another IXC.
- E. For wholesale applications, the wholesale provider may be required to disconnect service from the wholesale user if the Company does not have the capability to do so

2.1.8 Notification of Service-Affecting Activities

The Company will provide public notice, pursuant to 47 CFR Part 51.325 through 51.335, regarding any network change that:

- A. Will affect an interconnecting customer's performance or ability to provide service; or
- B. Will affect the Company's interoperability with interconnecting carriers.

For purposes of this section, interoperability means the ability of two or more facilities or networks, to be connected, to exchange information, and to use the information that has been exchanged. Such activities may include, but are not limited to, first point of switching, equipment additions, removals, and routine preventative maintenance. Generally, such activities are not individual customer service specific, they affect many customer services. Additionally, disputes between the Company and the customer shall be subject to the jurisdiction of the Regulatory Commission of Alaska.

2.1.9 Provision and Ownership of Numbers

The Company reserves the right to assign, designate, or change telephone numbers associated with Access Services, or the Company's serving central office prefixes associated with such numbers, when necessary in the conduct of its business. Should it become necessary to make a change, the Company will furnish to the customer six months notice, by certified mail, of the effective date, and an explanation of the reason(s) for such change(s).

2.1.10 Coordination with Respect to Network Contingencies

The Company intends to work cooperatively with the customer to develop network contingency plans in order to maintain maximum network capability following natural or man-made disasters that affect telecommunications services.

Tariff Advice 135-117

Issued to comply with Order No. 4 of the Regulatory Commission of Alaska in Docket No. U-13-188, dated April 22, 2014 Effective: February 20, 2015

Issued By: ACS OF FAIRBANKS, LLC

By: _____
Lisa Phillips

Title: Manager, Regulatory Affairs

ACS OF FAIRBANKS, LLC d/b/a ALASKA COMMUNICATIONS SYSTEMS, ALASKA COMMUNICATIONS, ACS LOCAL SERVICE, AND ACS

ACCESS SERVICES

2. General Regulations (Cont'd)

2.2 Use

2.2.1 Interface or Impairment

- A. The facilities and equipment provided by the customer which are used in conjunction with Company facilities in the provision of access service shall not interfere with or impair the provision of service by the Company.
- B. If interference as described in Section 2.2.1.A exists, except for equipment subject to the 47 CFR Part 68.108, when practicable, the Company will notify the customer that service will be temporarily disconnected until the problem is corrected. When prior notice is not practical, the Company may temporarily disconnect services without prior notification to the customer. The customer will be notified of the action as soon as possible and given the opportunity to correct the problem. During the period of discontinuance, the credit allowance for service interruptions as set forth in Section 2.4.3 does not apply.

2.2.2 Unlawful Use

The service provided under this tariff shall not be used for an unlawful purpose.

2.3 Obligations of the Customer

2.3.1 Damages

The customer shall reimburse the Company for damages to Company facilities utilized to provide services under this tariff caused by the negligence or willful act of the customer, or resulting from the customer's improper use of Company facilities, or due to malfunction of any facilities or equipment provided by other than the Company. Nothing in the foregoing provision shall be interpreted to hold one customer liable for another customer's actions. The Company will, upon reimbursement for damages, cooperate with the customer in prosecuting a claim against the person causing such damage and the customer shall be subrogated to the right of recovery by the Company for the damages to the extent of such payment.

2.3.2 Ownership of Facilities

Facilities utilized by the Company to provide service under the provisions of this tariff shall remain the property of the Company. Such facilities shall be returned to the Company by the customer, whenever requested, within a reasonable period following the request in as good condition as reasonable wear will permit. Any cost of repair or replacement for unreasonable wear or damage will be billed to the customer who utilized the equipment.

Tariff Advice 135-117

Issued to comply with Order No. 4 of the Regulatory Commission of Alaska in Docket No. U-13-188, dated April 22, 2014 Effective: February 20, 2015

Issued By: ACS OF FAIRBANKS, LLC

By: _____
Lisa Phillips

Title: Manager, Regulatory Affairs

ACS OF FAIRBANKS, LLC d/b/a ALASKA COMMUNICATIONS SYSTEMS, ALASKA COMMUNICATIONS, ACS LOCAL SERVICE, AND ACS

ACCESS SERVICES

2. General Regulations (Cont'd)

2.3 Obligations of the Customer (Cont'd)

2.3.3 Equipment Space and Power

The customer shall furnish or arrange to have furnished to the Company, at no charge, equipment space and electrical power required by the Company to provide services under this tariff at the points of termination of such services. The selection of AC or DC power shall be determined by the Company. The customer shall also make necessary arrangements to allow the Company access to such space at reasonable times for installing, testing, repairing, or removing Company services.

2.3.4 Availability for Testing

The services provided under this tariff shall be available to the Company at times in order to permit the Company to make tests and adjustments appropriate for maintaining the services in satisfactory operating condition. Such tests and adjustments shall be completed within a reasonable time. No credit will be allowed for any interruptions involved during such tests and adjustments.

2.3.5 Balance

All signals for transmission over the services provided under this tariff shall be delivered by the customer balanced to ground except for ground start, duplex (DX) and McCulloh-Loop (Alarm System) type signaling and dc telegraph transmission at speeds of 75 baud or less.

2.3.6 Design of Customer Services

Subject to the provisions of Section 2.1.6, the customer shall be solely responsible, at its expense, for the overall design of its services and for any redesigning or rearrangement of its services which may be required because of changes in facilities, operations or procedures of the Company, minimum protection criteria, or operating or maintenance characteristics of the facilities.

2.3.7 Reference to the Company

The customer may advise end users that certain services are provided by the Company in connection with the service the customer furnishes to end users; however, the customer shall not represent that the Company jointly participates in the customer's services.

Tariff Advice 135-117

Issued to comply with Order No. 4 of the Regulatory Commission of Alaska in Docket No. U-13-188, dated April 22, 2014 Effective: February 20, 2015

Issued By: ACS OF FAIRBANKS, LLC

By: _____
Lisa Phillips

Title: Manager, Regulatory Affairs

ACS OF FAIRBANKS, LLC d/b/a ALASKA COMMUNICATIONS SYSTEMS, ALASKA COMMUNICATIONS, ACS LOCAL SERVICE, AND ACS

ACCESS SERVICES

2. General Regulations (Cont'd)

2.3 Obligations of the Customer (Cont'd)

2.3.8 Claims and Demands for Damages

The customer shall defend, indemnify and save harmless the Company from and against any suits, claims, losses or damages, including punitive damages, attorney fees and court costs by third persons arising out of the construction, installation, operation, maintenance, or removal of the customer's circuits, facilities, or equipment connected to the Company's services provided under this tariff, including, without limitation, Workmen's Compensation claims, actions for infringement of copyright and/or unauthorized use of program material, libel and slander actions based on the content of communications transmitted over the customer's circuits, facilities or equipment, and proceedings to recover taxes, fines, or penalties for failure of the customer to obtain or maintain in effect any necessary certificates, permits, licenses, or other authority to acquire or operate the services provided under this tariff; provided however, the foregoing indemnification shall not apply to suits, claims, and demands to recover damages for damage to property, death, or personal injury unless such suits, claims or demands are based on the tortious conduct of the customer, its officers, agents or employees. The customer shall defend, indemnify and save harmless the Company from and against any suits, claims, losses or damages, including punitive damages, attorney fees and court costs by the customer or third parties arising out of any act or omission of the customer in the course of using services provided under this tariff.

Tariff Advice 135-117

Issued to comply with Order No. 4 of the Regulatory Commission of Alaska in Docket No. U-13-188, dated April 22, 2014 Effective: February 20, 2015

Issued By: ACS OF FAIRBANKS, LLC

By:

Lisa Phillips

Title: Manager, Regulatory Affairs

ACS OF FAIRBANKS, LLC d/b/a ALASKA COMMUNICATIONS SYSTEMS, ALASKA COMMUNICATIONS, ACS LOCAL SERVICE, AND ACS

ACCESS SERVICES

2. General Regulations (Cont'd)

2.3 Obligations of the Customer (Cont'd)

2.3.9 Jurisdictional Report Requirements

The Company cannot in all cases determine the jurisdictional nature of customer traffic and its related access minutes. In such cases the customer may be called upon to provide a projected estimate of its traffic, split between the interstate and intrastate jurisdictions. The following regulations govern such estimates, their reporting by the customer and cases where the Company will develop jurisdictional percentages.

- A. When a customer orders switched access service(s), the Company, where the jurisdiction can be determined from the call detail, will determine the customer's Intrastate percentage as follows:

For originating access minutes, the intrastate percentage will be developed when the switched access minutes for that customer are measured by dividing the customer's measured intrastate access minutes by the Company's total originating measured access minutes for that customer when the call detail is adequate to determine the appropriate jurisdiction.

When call details are insufficient to determine the jurisdiction for the call, the customer shall supply verifiable access minutes or the Company will develop the access minutes according to Section 2.3.9.C.

Verifiable terminating switched access service minutes will be measured and provided to the Company by the customer according to Section 2.3.9.B.

- B. Except where Company measured access minutes are used as set forth in Section 2.3.9.A, the customer-reported intrastate percentage of use as set forth in Section 2.3.9.A will be used until the customer reports a different projected intrastate percentage.

The customer shall provide in writing, updates to the intrastate (Percent State Usage -- PSU) and interstate (Percent Interstate Usage -- PIU) jurisdictional report on a quarterly basis, by service, and by NXX. The customer shall forward to the Company a revised report, to be received no later than 15 days after the first of January, April, July, and October. The revised report shall show the PSU and PIU for the past three months ending the last billing cycle of December, March, June, and September, respectively, for each service arranged for intrastate use. The PSU reported in January, April, July, and October will be effective on the bill date of each such month and will serve as the basis for the next three months' billing beginning in February, May, August, and November, respectively. The customer has the option to provide the report on a monthly basis. If monthly reports are provided, the customer is not required to provide quarterly summaries.

Tariff Advice 135-117

Issued to comply with Order No. 4 of the Regulatory Commission of Alaska in Docket No. U-13-188, dated April 22, 2014 Effective: February 20, 2015

Issued By: ACS OF FAIRBANKS, LLC

By: _____
Lisa Phillips

Title: Manager, Regulatory Affairs

ACS OF FAIRBANKS, LLC d/b/a ALASKA COMMUNICATIONS SYSTEMS, ALASKA COMMUNICATIONS, ACS LOCAL SERVICE, AND ACS

ACCESS SERVICES

2. General Regulations (Cont'd)

2.3 Obligations of the Customer (Cont'd)

2.3.9 Jurisdictional Report Requirements (Cont'd)

- B. When submitting the PSU, the customer should include a summary sheet explaining how the PSU was determined. The customer should calculate its PSU based on the call detail records it uses to bill its customers. The customer may use a reasonable sampling method. If the customer uses data for less than one month to determine the PSU, the supporting summary sheet should explain why less than one month's data has been used, and whether the data provided is that which the customer uses to make its internal traffic forecasts and networking decisions. They must explain to the Company why, and if, they use the same data for billing purposes. When a revised PSU varies by more than five percentage points from the last reported PSU, the Company may request an explanation. The customer shall retain for six months the data used in calculating a PSU given to the Company. Adjustment factors may be applied in the calculation of PSUs only if the factor has been objectively determined based on statistically reliable, Alaska specific data.
- C. No prorating or back billing will be done based on the jurisdictional report. However, delayed charges will be billed utilizing the intrastate percentage that was in effect at the time the charges were incurred.

If the customer does not supply the jurisdictional reports, the Company will assume the percentages to be the same as those provided in the last quarterly report. For those cases in which two consecutive quarterly reports have not been received from the customer, the Company may implement the following remedial actions:

- 1) the Company shall estimate what the correct PSU should be based upon available billing data;
- 2) the Company shall retain an Accounting Firm to review the records of the customer to the extent necessary to determine a proper PSU report. Expenses(s) incurred by the Company necessary to implement Step 2 will be billed to the customer; and
- 3) the Company will report to the Regulatory Commission of Alaska ("RCA") any remedial action required.

Tariff Advice 135-117

Issued to comply with Order No. 4 of the Regulatory Commission of Alaska in Docket No. U-13-188, dated April 22, 2014 Effective: February 20, 2015

Issued By: ACS OF FAIRBANKS, LLC

By:

Lisa Phillips

Title: Manager, Regulatory Affairs

ACS OF FAIRBANKS, LLC d/b/a ALASKA COMMUNICATIONS SYSTEMS, ALASKA COMMUNICATIONS, ACS LOCAL SERVICE, AND ACS

ACCESS SERVICES

2. General Regulations (Cont'd)

2.3 Obligations of the Customer (Cont'd)

2.3.9 Jurisdictional Report Requirements (Cont'd)

- D. If the Company disputes the reasonableness of the PSU provided as described in Section 2.3.9.A, or the RCA questions the projected intrastate percentage, the Company will ask the customer to provide the data as described in Section 2.9.3.A that the customer used to determine the projected intrastate percentage. The customer shall supply the data within 15 days of the Company request. The customer shall keep records of call detail from which the percentage of intrastate and interstate use can be ascertained and upon request of the Company make the records available for inspection as reasonably necessary for purposes of verification of the percentages.

If the Company wishes to audit a PSU, it must request an audit within six months of having received the PSU. The audit would be limited to examination of billing tapes used in calculating the PSU and verification that the tapes accurately represent the carrier's traffic.

E. Maintenance of Customer Records

For purposes of determining PSU, every call entering a customer switched network that originates at a point within Alaska and the called station is within in Alaska, is an intrastate communication. Every call entering the customer switched network that originates in a state other than Alaska where the called station is situated is an interstate communication.

Tariff Advice 135-117

Issued to comply with Order No. 4 of the Regulatory Commission of Alaska in Docket No. U-13-188, dated April 22, 2014 Effective: February 20, 2015

Issued By: ACS OF FAIRBANKS, LLC

By:

Lisa Phillips

Title: Manager, Regulatory Affairs

ACS OF FAIRBANKS, LLC d/b/a ALASKA COMMUNICATIONS SYSTEMS, ALASKA COMMUNICATIONS, ACS LOCAL SERVICE, AND ACS

ACCESS SERVICES

2. General Regulations (Cont'd)

2.4 Payment Arrangements and Credit Allowance

2.4.1 Payment of Rates, Charges and Deposits

A. The Company will require a deposit as a precondition of intrastate service as follows:

1. Certificated Interexchange Carriers ("IXC"):

A payment bond issued by a surety or letter of credit from a bank in a form acceptable to the Company in an amount equal to two and one half times the IXC's estimated total monthly charges under this tariff will be required of all IXCs. The failure of an IXC to maintain such a payment bond shall constitute reasonable grounds for terminating service to the IXC. After an IXC has received service for two months, the Company may authorize an adjustment in the amount of the payment bond based upon the IXC's actual charges. Such adjustments may be made as often as is reasonably required to protect the revenue receipts and cash flow of the Company.

2. Customers

A cash deposit not to exceed the actual or estimated rates and charges for the service for a two month period (3 AAC 48.420) will be required of all customers.

Customer deposits retained by the Company will be refunded after a two-year period in accordance with 3 AAC 48.420.

Whether a deposit has been made in no way relieves the customer from complying with Company regulations as to the prompt payment of bills. At such time as the provision to the Customer is terminated, the amount of the deposit will be credited to the customer's account and any credit balance remaining will be refunded.

Cash deposits will be paid interest at the time the deposit is refunded. Deposits will be placed in an interest bearing account and the Company will pay the customer interest in accordance with AS 42.05.365.

Tariff Advice 135-117

Issued to comply with Order No. 4 of the Regulatory Commission of Alaska in Docket No. U-13-188, dated April 22, 2014 Effective: February 20, 2015

Issued By: ACS OF FAIRBANKS, LLC

By: _____
Lisa Phillips

Title: Manager, Regulatory Affairs

ACS OF FAIRBANKS, LLC d/b/a ALASKA COMMUNICATIONS SYSTEMS, ALASKA COMMUNICATIONS, ACS LOCAL SERVICE, AND ACS

ACCESS SERVICES

2. General Regulations (Cont'd)

2.4 Payment Arrangements and Credit Allowance (Cont'd)

2.4.1 Payment of Rates, Charges and Deposits (Cont'd)

- B. The Company will bill the customer who places the order for access service for all usage sensitive charges including carrier common line, monthly in arrears. Nonrecurring charges will be billed to the customer ordering the service in the month following the provision of service.

The Company will bill in advance for:

Special Access
Special Construction

The Company will bill in arrears for:

Equal Access Recovery Charge
800 Data Base Access Service Queries
Presubscription Change Charge
Carrier Common Line Bulk Bill
Traffic Sensitive Charges
Non-recurring Charges
TSP Database Charge

1. The bill date for all access services will be the 10th work day of the month for each customer account and shall appear on the carrier access bill.

Tariff Advice 135-117

Issued to comply with Order No. 4 of the Regulatory Commission of Alaska in Docket No. U-13-188, dated April 22, 2014 Effective: February 20, 2015

Issued By: ACS OF FAIRBANKS, LLC

By:

Lisa Phillips

Title: Manager, Regulatory Affairs

ACS OF FAIRBANKS, LLC d/b/a ALASKA COMMUNICATIONS SYSTEMS, ALASKA COMMUNICATIONS, ACS LOCAL SERVICE, AND ACS

ACCESS SERVICES

2. General Regulations (Cont'd)

2.4 Payment Arrangements and Credit Allowance (Cont'd)

2.4.1 Payment of Rates, Charges and Deposits (Cont'd)

- B. 2. a. Payment is due and payable upon receipt and shall be delinquent 20 calendar days from the date the bill is rendered, or by the next bill date, whichever is the shortest interval. Payments due the Company of sums greater than \$500.00 shall be made by wire transfer or Electronic Funds Transfer ("EFT") directly to the Company's bank account on or before the twentieth calendar day from the date the bill was rendered. If this due date is a local bank holiday, funds shall be wire transferred or EFT on the prior workday. Payments of \$500.00 or less may be paid via check mailed in time to arrive at the Company's office no later than the twentieth calendar day from the date the bill was rendered.

If EFT is technically not feasible, payment will be made by check mailed prior to the due date with "immediately available funds" as defined in Section 2.6 by the due date. Otherwise penalties as defined in Section 2.4.1.B.2 apply.

- b. If payment is not received in immediately available funds by the due date as determined in Section 2.4.1.B.2.a, a line item assessing a finance charge of .875%, not to exceed 10.5% per annum, will be applied to the delinquent portion of the bill.
- c. In the event that a billing dispute concerning charges billed to the customer by the Company occurs, the customer is required to pay both the disputed and undisputed amounts by the due date. If the dispute is resolved in favor of the customer, the billing entity will refund the disputed amount in question plus interest.

When a claim is filed within 90 days of the due date, the interest period shall begin on the payment date. When a claim is filed more than 90 days after the due date, the penalty interest period shall begin from the date of the claim or the date of overpayment, whichever is later. Interest will be calculated at a rate equal to .000287 per day, or the maximum interest allowed by state law. The lesser amount will apply. Applicable interest will be compounded daily.

Tariff Advice 135-117

Issued to comply with Order No. 4 of the Regulatory Commission of Alaska in Docket No. U-13-188, dated April 22, 2014 Effective: February 20, 2015

Issued By: ACS OF FAIRBANKS, LLC

By: _____
Lisa Phillips

Title: Manager, Regulatory Affairs

ACS OF FAIRBANKS, LLC d/b/a ALASKA COMMUNICATIONS SYSTEMS, ALASKA COMMUNICATIONS, ACS LOCAL SERVICE, AND ACS

ACCESS SERVICES

2. General Regulations (Cont'd)

2.4 Payment Arrangements and Credit Allowance (Cont'd)

2.4.1 Payment of Rates, Charges and Deposits (Cont'd)

- B. 2. d. All actions by the Company to recover its charges, or any part thereof, shall be initiated within one year from the time the charges were incurred by the customer. For the purposes of this section, rendering an access bill to the customer is sufficient action.
- e. In order for a customer to be eligible for recovery of overcharges of a disputed amount, notification must be submitted by the customer in writing to the Company within 18 months from the date that the bill under dispute was rendered.
- f. The terms "overcharges" or "disputed amounts", as used in Section 2.4.1.B.2.e, shall be deemed to mean charges for service(s) in excess of those applicable thereto under other sections of this tariff.
- g. The term "notification", as used in Section 2.4.1.B.2.e, shall mean written notice containing the date(s) of the overcharges(s), the service(s) for which the overcharges(s) accrued, and the amount(s) of the overcharge(s), delivered by Certified U.S. Mail to the billing entity business office, or its agent.
- h. If the customer does not receive a bill at least 10 days prior to the payment due date, then the bill shall be considered delayed. When the bill has been delayed, upon request of the customer the due date will be extended by the number of days the bill was delayed. Such request of the customer must be accompanied with proof of late bill receipt

Tariff Advice 135-117

Issued to comply with Order No. 4 of the Regulatory Commission of Alaska in Docket No. U-13-188, dated April 22, 2014 Effective: February 20, 2015

Issued By: ACS OF FAIRBANKS, LLC

By: _____
Lisa Phillips

Title: Manager, Regulatory Affairs

ACS OF FAIRBANKS, LLC d/b/a ALASKA COMMUNICATIONS SYSTEMS, ALASKA COMMUNICATIONS, ACS LOCAL SERVICE, AND ACS

ACCESS SERVICES

2. General Regulations (Cont'd)

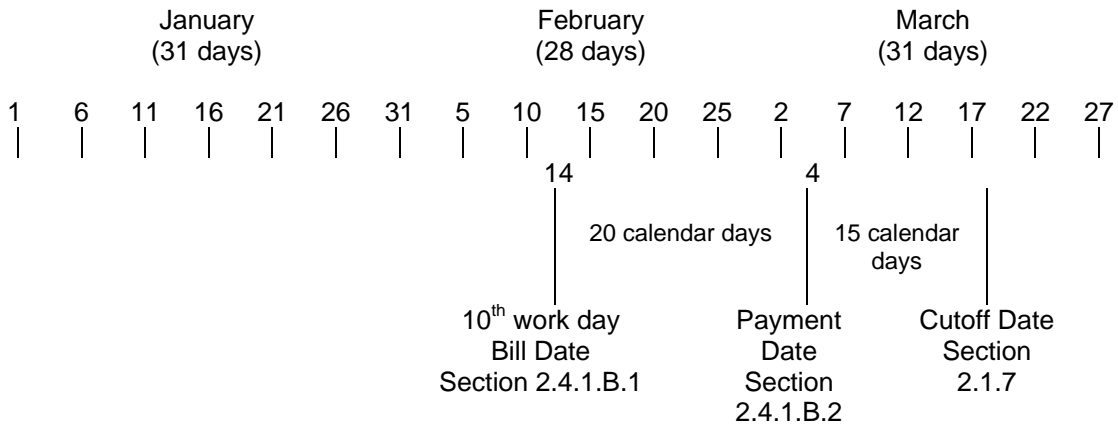
2.4 Payment Arrangements and Credit Allowance (Cont'd)

2.4.1 Payment of Rates, Charges and Deposits (Cont'd)

C. Billing, Payment, and Cutoff Illustration

In accordance with Sections 2.4.1.B and 2.1.7, the bill date, payment date, and cutoff dates are illustrated as follows:

EXAMPLE: CALCULATION OF PAYMENT DATES



- D. For services provided on a monthly basis, the charge for the provision of a fractional month's service will be determined by dividing the number of days that service was provided by 30 and multiplying the result times the monthly rate. This calculation will be made subject to any minimum service periods required for specific services.
- E. When a rate as set forth in this tariff is shown to more than two decimal places, the charges will be determined using the rate shown. The resulting amount will then be rounded to the nearest penny (i.e., rounded to two decimal places).

Tariff Advice 135-117
Issued to comply with Order No. 4 of the Regulatory Commission of Alaska in Docket No. U-13-188, dated April 22, 2014 Effective: February 20, 2015

Issued By: ACS OF FAIRBANKS, LLC

By: _____
Lisa Phillips

Title: Manager, Regulatory Affairs

ACS OF FAIRBANKS, LLC d/b/a ALASKA COMMUNICATIONS SYSTEMS, ALASKA COMMUNICATIONS, ACS LOCAL SERVICE, AND ACS

ACCESS SERVICES

2. General Regulations (Cont'd)

2.4 Payment Arrangements and Credit Allowance (Cont'd)

2.4.2 Minimum Periods

- A. Unless a minimum service period is described for a specific tariff item, the minimum period for which services are provided and for which rates and charges are applicable is one month. When a service is discontinued prior to the expiration of the minimum period, the total charges at the rate level in effect at the time service is discontinued will apply for the remainder of the minimum period.

If the discontinued service is provided based on usage, the Company will estimate usage to the end of the minimum period based on historical data.

B. Proration of Charges

Adjustments for the quantities of services established or discontinued in any billing period beyond the minimum period set forth for services in other sections of this tariff will be prorated to the number of days based on a 30- day month. The Company will, upon request, furnish within 30 days of a request and at no charge to the customer such detailed information as may reasonable be required for verification of any bill.

Tariff Advice 135-117

Issued to comply with Order No. 4 of the Regulatory Commission of Alaska in Docket No. U-13-188, dated April 22, 2014 Effective: February 20, 2015

Issued By: ACS OF FAIRBANKS, LLC

By: _____
Lisa Phillips

Title: Manager, Regulatory Affairs

ACS OF FAIRBANKS, LLC d/b/a ALASKA COMMUNICATIONS SYSTEMS, ALASKA COMMUNICATIONS, ACS LOCAL SERVICE, AND ACS

ACCESS SERVICES

2. General Regulations (Cont'd)

2.4 Payment Arrangements and Credit Allowance (Cont'd)

2.4.3 Credit Allowance for Service Interruptions

A. General

A service is interrupted when it becomes unusable to the customer because of a failure of facilities used to furnish service under this tariff or in the event that the protective controls applied by the Company result in the complete loss of service by the customer. An interruption period starts when an inoperative service is reported to the Company, and ends when the service is operative. An allowance for interruption will apply only when the interruption is not due to the negligence of the customer. The credit allowance for an interruption or for a series of interruptions shall not exceed the monthly rate and minimum monthly usage charge for the service interrupted in any one monthly billing period.

B. When a Credit Allowance Applies

In case of an interruption to any service, allowance for the period of interruption, if not due to the negligence of the customer, shall be as follows:

1. For switched access service, no credit shall be allowed for an interruption of less than 24 hours. The customer shall be credited for an interruption of 24 hours or more at the rate of 1/30 of the applicable monthly rates or minimum monthly usage charge for each period of 24 hours or major fraction (12 hours and one minute) thereof that the interruption continues.
2. For Digital Data and High Capacity special access services, any period during which the error performance is below that specified for the service will be considered as an interruption. The customer shall be credited for an interruption of 30 minutes or more at the rate of 1/1440 of the monthly charges for the facility or service for each period of 30 minutes or fraction thereof that the interruption continues.

Tariff Advice 135-117

Issued to comply with Order No. 4 of the Regulatory Commission of Alaska in Docket No. U-13-188, dated April 22, 2014 Effective: February 20, 2015

Issued By: ACS OF FAIRBANKS, LLC

By: _____
Lisa Phillips

Title: Manager, Regulatory Affairs

ACS OF FAIRBANKS, LLC d/b/a ALASKA COMMUNICATIONS SYSTEMS, ALASKA COMMUNICATIONS, ACS LOCAL SERVICE, AND ACS

ACCESS SERVICES

2. General Regulations (Cont'd)

2.4 Payment Arrangements and Credit Allowance (Cont'd)

2.4.3 Credit Allowance for Service Interruptions (Cont'd)

B. When a Credit Allowance Applies (Cont'd)

3. Public Packet Data Network Services

Credit allowance is computed as described in Section 2.4.3.B.2 for Public Packet Data Network Service rate elements. The monthly charge shall be the total of all monthly rate element charges associated with the service (i.e., End User Port, Access Customer Port, and Permanent Virtual Connections).

C. When a Credit Allowance Does Not Apply

No credit allowance will be made for:

1. Interruptions caused by the negligence of the customer
2. Interruptions of a service due to the failure of equipment or systems provided by the customer or others.
3. Interruptions of a service during any period in which the Company is not afforded access to the premises where the service is terminated.
4. Interruptions of a service when the customer has released that service to the Company for maintenance purposes, to make rearrangements, or for the implementation of a change order during the time that was negotiated with the customer prior to the release of the service. Thereafter, a credit allowance as set forth in Section 2.4.3.B, applies.
5. Periods when the customer elects not to release the service for testing and/or repair and continues to use in on an impaired basis.

Tariff Advice 135-117

Issued to comply with Order No. 4 of the Regulatory Commission of Alaska in Docket No. U-13-188, dated April 22, 2014 Effective: February 20, 2015

Issued By: ACS OF FAIRBANKS, LLC

By: _____
Lisa Phillips

Title: Manager, Regulatory Affairs

ACS OF FAIRBANKS, LLC d/b/a ALASKA COMMUNICATIONS SYSTEMS, ALASKA COMMUNICATIONS, ACS LOCAL SERVICE, AND ACS

ACCESS SERVICES

2. General Regulations (Cont'd)

2.4 Payment Arrangements and Credit Allowance (Cont'd)

2.4.4 Title or Ownership Rights

The payment of rates and charges by customers for the services offered under the provisions of this tariff does not assign, confer, or transfer title or ownership rights to proposals or facilities developed or utilized, respectively, by the Company in the provision of such services.

2.4.5 Re-establishment of Service Following Fire, Flood, or Other Occurrence

A. Nonrecurring Charges Do Not Apply

Charges do not apply for the re-establishment of service following a fire, flood, or other occurrence attributed to an Act of God provided that:

1. The service is of the same type as was provided prior to the fire, flood, or other occurrence.
2. The service is for the same customers.
3. The service is at the same location on the same premises.
4. The re-establishment of service begins within 60 days after Company service is available. (The 60 day period may be extended a reasonable period if the renovation of the original location on the premises affected is not practical within the allotted time period.)

B. Nonrecurring Charges Apply

Nonrecurring Charges apply for establishing service at a different location on the same premises or at a different premises pending re-establishment of service at the original location.

2.5 Connections

2.5.1 General

Customer Premise Equipment ("CPE") may be connected with switched, special and Public Packet Data Network access service furnished by the Company where such connection is made in accordance with the provisions specified in Technical Reference Publication AS No. 1 and in Section 2.1.

Tariff Advice 135-117

Issued to comply with Order No. 4 of the Regulatory Commission of Alaska in Docket No. U-13-188, dated April 22, 2014 Effective: February 20, 2015

Issued By: ACS OF FAIRBANKS, LLC

By: _____
Lisa Phillips

Title: Manager, Regulatory Affairs

ACS OF FAIRBANKS, LLC d/b/a ALASKA COMMUNICATIONS SYSTEMS, ALASKA COMMUNICATIONS, ACS LOCAL SERVICE, AND ACS

ACCESS SERVICES

2. General Regulations (Cont'd)

2.6 Definitions

Access Code

A uniform five or seven digit selection code assigned to an interexchange carrier. The five digit code has the form 10XXX, and the seven digit code has the form 950-1XXX or 950-0XXX.

Access Order

An order to provide the customer with switched access service or special access service or changes to existing services.

Access Minutes

Access Minutes or Access Minutes of Use is that usage of exchange facilities in intrastate toll service for the purpose of calculating charges. On the originating end of an intrastate interexchange toll call, usage is to be measured from the time the originating end-user's call is delivered by the telephone company and acknowledged as received by the interexchange carrier's facilities connected with the originating exchange. On the terminating end of an interexchange intrastate toll call, usage is to be measured from the time the call is received by the end-user in the terminating exchange. Timing of usage at both the originating and terminating end of an intrastate interexchange call shall terminate when the calling or called party disconnects, whichever event is recognized first in the originating and terminating end exchanges, as applicable.

Access Service

Access Service includes services and facilities provided for the origination or termination of any intrastate toll telecommunication.

Access Tandem

A Company or centralized equal access provider switching system that provides a concentration and distribution function for originating or terminating traffic between end offices and a customer designated premises.

Answer/Disconnect Supervision

The transmission of the switch trunk equipment supervisory signal (off-hook or on-hook) to the customer's point of termination as an indication that the called party has answered or disconnected.

Assumed Minutes of Use

Minutes of use assumed for, or allocated to, unmeasured intrastate interexchange communications services.

Tariff Advice 135-117

Issued to comply with Order No. 4 of the Regulatory Commission of Alaska in Docket No. U-13-188, dated April 22, 2014 Effective: February 20, 2015

Issued By: ACS OF FAIRBANKS, LLC

By:

Lisa Phillips

Title: Manager, Regulatory Affairs

ACS OF FAIRBANKS, LLC d/b/a ALASKA COMMUNICATIONS SYSTEMS, ALASKA COMMUNICATIONS, ACS LOCAL SERVICE, AND ACS

ACCESS SERVICES

2. General Regulations (Cont'd)

2.6 Definitions (Cont'd)

Balance (100 Type) Test Line

An arrangement in an end office which provides for balance and noise testing.

Bona Fide Request

A good-faith written request by a certificated intrastate interexchange carrier to a local exchange carrier for equal access service.

Business Day

The times of day that the Company is open for business. Business Day hours for the Company may be determined by contacting the business office.

Busy Hour Minutes of Capacity (BHMC)

The customer specified maximum amount of switched access service access minutes the customer expects to be handled in an end office switch during any hour in an 8:00 a.m. to 11:00 p.m. period for the switched access service ordered. This customer furnished BHMC quantity is the input data the Company uses to determine the number of transmission paths for the switched access service ordered.

Call

A customer attempt for which the complete address-code (e.g., 0-, 911, or 10 digits) is provided to the serving dial tone office.

CCS

A standard unit of traffic load that is equal to 100 seconds of usage or capacity of a group of servers (e.g., trunks). Also known as "100 call seconds."

Central Office

A local Company switching system where telephone exchange service customer station loops are terminated for purposes of interconnection to each other and to trunks.

Centrex CO Service

A service that (1) uses a portion of a Company switch located at the Company central office to meet the customer's internal needs and serves as the customer's interface with the local and interexchange networks and, (2) links the customer's main stations to the Company switch with subscriber loops.

Tariff Advice 135-117

Issued to comply with Order No. 4 of the Regulatory Commission of Alaska in Docket No. U-13-188, dated April 22, 2014 Effective: February 20, 2015

Issued By: ACS OF FAIRBANKS, LLC

By:

Lisa Phillips

Title: Manager, Regulatory Affairs

ACS OF FAIRBANKS, LLC d/b/a ALASKA COMMUNICATIONS SYSTEMS, ALASKA COMMUNICATIONS, ACS LOCAL SERVICE, AND ACS

ACCESS SERVICES

2. General Regulations (Cont'd)

2.6 Definitions (Cont'd)

Channel

A communications path between two or more points of termination.

Committed Information Rate

The term "Committed Information Rate" denotes the transmission speed specified by the customer at which the Frame Relay Access Service network commits to transfer data between two ports.

Common Line

A line, trunk, pay telephone line, or other facility provided under the Company's local exchange service tariff, terminated on a central office switch. A common line-residence is a line or trunk provided under the residential regulations of the local exchange service tariff. A common line-business is a line provided under the business regulations of the Company's local exchange service tariff.

Communications System

Channels and other facilities that are capable of communications between terminal equipment provided by other than the Company.

Company

ACS OF FAIRBANKS, LLC

Customer

Any individual, partnership, association, joint-stock company trust, corporation, or governmental entity, or other entity which orders the services offered under this tariff, including local exchange carrier(s), interexchange carriers(s) ("IXC"), and end user(s).

Customer Message

A completed intrastate call originated by a customer's end user. A customer message begins when answer supervision from the premise of the ordering customer is received by Company recording equipment indicating that the called party has answered. A message ends when disconnect supervision is received by Company recording equipment from either the premises of the ordering customer or the customer's end user premises from which the call originated.

Tariff Advice 135-117

Issued to comply with Order No. 4 of the Regulatory Commission of Alaska in Docket No. U-13-188, dated April 22, 2014 Effective: February 20, 2015

Issued By: ACS OF FAIRBANKS, LLC

By:

Lisa Phillips

Title: Manager, Regulatory Affairs

ACS OF FAIRBANKS, LLC d/b/a ALASKA COMMUNICATIONS SYSTEMS, ALASKA COMMUNICATIONS, ACS LOCAL SERVICE, AND ACS

ACCESS SERVICES

2. General Regulations (Cont'd)

2.6 Definitions (Cont'd)

Customer Designated Premises

The premises specified by the customer for the provision of access service.

Data Transmission (107 Type) Test Line

An arrangement that provides for a connection to a signal source which provides test signals for one-way testing of data and voice transmission parameters.

Dedicated Wholesale Service

Wholesale intrastate interexchange service that is not switched by the wholesale provider's equipment

Detail Billing

The listing of each message and/or rate element for which charges to a customer are due on a bill prepared by the Company

Effective 2-Wire

A condition which permits the simultaneous transmission in both directions over a channel, which does not insure independent information transmission in both directions. Effective 2-wire channels may be terminated with 2-wire or 4-wire interfaces.

Effective 4-Wire

A condition which permits the simultaneous independent transmission of information in both directions over a channel. The method of implementing effective 4-wire transmission is at the discretion of the Company (physical, time domain, frequency-domain separation or echo cancellation techniques).

End Office Switch

A local Company switching system where telephone exchange service customer common lines are terminated for purposes of interconnection to trunks. Included are remote switching modules and remote switching systems served by a host office in a different wire center.

Tariff Advice 135-117

Issued to comply with Order No. 4 of the Regulatory Commission of Alaska in Docket No. U-13-188, dated April 22, 2014 Effective: February 20, 2015

Issued By: ACS OF FAIRBANKS, LLC

By: _____
Lisa Phillips

Title: Manager, Regulatory Affairs

ACS OF FAIRBANKS, LLC d/b/a ALASKA COMMUNICATIONS SYSTEMS, ALASKA COMMUNICATIONS, ACS LOCAL SERVICE, AND ACS

ACCESS SERVICES

2. General Regulations (Cont'd)

2.6 Definitions (Cont'd)

End User

Any customer of a Company's customer that is not a carrier, except that a carrier shall be deemed to be an "end user" to the extent that such carrier uses a telecommunications service for administrative purposes, without making such service available to others, directly or indirectly.

Equal Access

A method of interconnection between the Company and all long distance carriers serving the exchange that allows an end user's interexchange calls to be automatically directed to the end user's chosen primary interexchange carrier when the end user dials 1-plus or any other abbreviated dialing arrangement. Equal Access requires local exchange carrier access service to be made available in equal kind, quality, and price to all interexchange carriers, and is commonly provided using FGD signaling and interconnection arrangements.

Exchange

A unit established by the Company for the administration of communications service in a specified area that usually embraces a city, town, or village and its environs. It consists of one or more central offices together with the associated facilities used in furnishing communications service within that area.

Extended PVC ("EPVC")

The term "Extended PVC" denotes the interconnection of a port on a frame relay switch with a port on another frame relay switch. The EPVC establishes a communications path between the end user port on a frame relay switch and an access customer port on another interconnected frame relay switch within the same local service calling area.

Tariff Advice 135-117

Issued to comply with Order No. 4 of the Regulatory Commission of Alaska in Docket No. U-13-188, dated April 22, 2014 Effective: February 20, 2015

Issued By: ACS OF FAIRBANKS, LLC

By: _____
Lisa Phillips

Title: Manager, Regulatory Affairs

ACS OF FAIRBANKS, LLC d/b/a ALASKA COMMUNICATIONS SYSTEMS, ALASKA COMMUNICATIONS, ACS LOCAL SERVICE, AND ACS

ACCESS SERVICES

2. General Regulations (Cont'd)

2.6 Definitions (Cont'd)

Feature Group A ("FGA")

A line-side connection for interexchange service that is accessed by the end user via a 7-digit telephone number that may vary with each exchange.

Feature Group B ("FGB")

A trunk-side connection for interexchange service that is accessed by the end user by dialing "950-1XXX," with the "XXX" identifying the desired interexchange carrier.

Feature Group D ("FGD")

A trunk side switching connection designed for equal access provided through the use of end office. The access code for FGD switching is a uniform access code of the form "10XXX." When an end user has presubscribed, pursuant to Section 9.3.4, the form of the numbers dialed by the end user is NXX-XXXX, 0, or 1+NXX-XXXX, to use their chosen primary interexchange carrier.

First Point of Switching ("FPOS")

The first Company or centralized equal access provider location at which switching occurs on the terminating path of a call proceeding from the IXC point of termination to the terminating end office and, at the same time, the last Company or centralized equal access provider location at which switching occurs on the originating path of a call proceeding from the originating end office to the IXC point of termination.

Frame

The term "Frame" denotes a group of data bits in a specific format, which enables network equipment to recognize the meaning and purpose of the specific bits.

Frame Relay Access Customer Port

The term "Frame Relay Access Customer Port" denotes the physical location in the Company switching offices where the access customer's special access facility connects to the Company's Frame Relay access service network. It specifies how a frame relay switch sends and receives data from a frame relay access customer's network.

Tariff Advice 135-117

Issued to comply with Order No. 4 of the Regulatory Commission of Alaska in Docket No. U-13-188, dated April 22, 2014 Effective: February 20, 2015

Issued By: ACS OF FAIRBANKS, LLC

By: _____
Lisa Phillips

Title: Manager, Regulatory Affairs

ACS OF FAIRBANKS, LLC d/b/a ALASKA COMMUNICATIONS SYSTEMS, ALASKA COMMUNICATIONS, ACS LOCAL SERVICE, AND ACS

ACCESS SERVICES

2. General Regulations (Cont'd)

2.6 Definitions (Cont'd)

Frame Relay Access Service

The term "Frame Relay Access Service" denotes a medium-speed, connection-oriented packet-switched data service that allows for the interconnection of Local Area Networks ("LAN") or other compatible end user customer premises equipment for the purpose of connecting to an access customer's intrastate network.

Frame Relay End User Port

The term "Frame Relay End User Port" denotes the physical location in the Company switching office where the special access facility from the end user connects to the Frame Relay Access Service Network. It receives the data frame from the end user's Local Area Network or other compatible CPE device and verifies that the end user connection and the corresponding access customer connection are valid before relaying the frame to the destination end point.

Host Office

An electronic switching system that provides call processing capabilities for one or more remote switching modules or remote switching systems.

Hub

A Company designated serving wire center at which bridging or multiplexing functions are performed. The bridging functions performed are to connect three or more customer-designated premises in a multi-point arrangement. The multiplexing functions are to channelize analog or digital facilities to individual services requiring a lower capacity or bandwidth. National Exchange Carrier Association, Inc. Tariff FCC No. 4 identifies serving wire centers, hub locations, and the type of bridging or multiplexing functions available.

Immediately Available Funds

A corporate or personal check drawn on a bank account for which funds are available for use by the receiving party on the same day on which they are received and include U.S. Federal Reserve bank wire transfers, U.S. Federal Reserve notes (paper cash), U.S. coins and U.S. Postal Money Orders.

Individual Case Basis

A condition in which the rates and charges for an offering under the provisions of this tariff are developed based on the circumstances in each case.

Interconnection Point

The point where facilities of the Company meet facilities of a connecting Interexchange Carrier.

Tariff Advice 135-117

Issued to comply with Order No. 4 of the Regulatory Commission of Alaska in Docket No. U-13-188, dated April 22, 2014 Effective: February 20, 2015

Issued By: ACS OF FAIRBANKS, LLC

By: _____
Lisa Phillips

Title: Manager, Regulatory Affairs

ACS OF FAIRBANKS, LLC d/b/a ALASKA COMMUNICATIONS SYSTEMS, ALASKA COMMUNICATIONS, ACS LOCAL SERVICE, AND ACS

ACCESS SERVICES

2. General Regulations (Cont'd)

2.6 Definitions (Cont'd)

Interexchange Carrier ("IXC")

Any individual, partnership, association, joint-stock company, trust, governmental entity, or corporation engaged for hire in intrastate communication by wire, fiber, or radio between two or more exchanges.

Interstate Call

Any toll communications between two states subject to oversight by the Federal Communications Commission ("FCC"). The term denotes both interstate and foreign communications.

Intrastate Call

Any toll communications within a state subject to oversight by the Regulatory Commission of Alaska.

Line Side Connection

A connection of a transmission path to the line side of a local exchange switching system. This type of connection is used when providing FGA switched access service.

Local Access and Transport Area

A geographic area established for the provision and administration of communications service. It encompasses one or more designated exchanges, which are grouped to serve common social, economic, and other purposes.

Local Area Network ("LAN")

The term "Local Area Network" denotes a network permitting the interconnection and intercommunication of a group of computers.

Local Exchange Carrier ("LEC")

Any individual, partnership, association, cooperative, joint stock company, trust, or corporation engaged in Intrastate communication for hire by wire, radio, or other means within one or more exchanges.

Loop Around Test Line

An arrangement utilizing a Company central office to provide a means to make certain two-way transmission tests on a manual basis. This arrangement has two central office terminations, each reached by means of separate telephone numbers and does not require any specific customer premises equipment. Equipment subject to this test arrangement is at the discretion of the customer.

Tariff Advice 135-117

Issued to comply with Order No. 4 of the Regulatory Commission of Alaska in Docket No. U-13-188, dated April 22, 2014 Effective: February 20, 2015

Issued By: ACS OF FAIRBANKS, LLC

By:

Lisa Phillips

Title: Manager, Regulatory Affairs

ACS OF FAIRBANKS, LLC d/b/a ALASKA COMMUNICATIONS SYSTEMS, ALASKA COMMUNICATIONS, ACS LOCAL SERVICE, AND ACS

ACCESS SERVICES

2. General Regulations (Cont'd)

2.6 Definitions (Cont'd)

Measured Intrastate Interexchange Communications Service

Any intrastate interexchange communications service provided by an IXC in which the IXC's usage of the service is measured by the Company.

Message

See "Customer Message."

Milliwatt (102 Type) Test Line

An arrangement in an end office that provides a 1004 Hz tone at 0 dBm0 for one-way transmission measurements towards the customer's premises from the Company end office.

Net Salvage

The estimated scrap, sale, or trade-in value, less the estimated cost of removal. Cost of removal includes the costs of demolishing, or otherwise disposing of the material and any other applicable costs. Since the cost of removal may exceed salvage value, net salvage value may be negative.

Network Control Signaling

The transmission of signals used in the telecommunications system which perform functions such as supervision (control, status, and charge signals), address signaling (e.g., dialing), calling and called number identifications, rate of flow, service selection error control and audible tone signals (call progress signals indicating re-order or busy conditions, alerting, coin denomination, coin collect and coin return tones) to control the operation of the telecommunications system.

Nonsynchronous Test Line

An arrangement in step-by-step end offices which provides operational tests which are not as complete as those provided by the synchronous test lines, but can be made more rapidly.

No-plus Dialing

A system of dialing where the calling party dials an interexchange call without dialing any prefix.

North American Numbering Plan ("NANP")

A three-digit area code and a seven-digit telephone number made up of a three-digit Central Office code plus a four-digit station number.

Tariff Advice 135-117

Issued to comply with Order No. 4 of the Regulatory Commission of Alaska in Docket No. U-13-188, dated April 22, 2014 Effective: February 20, 2015

Issued By: ACS OF FAIRBANKS, LLC

By:

Lisa Phillips

Title: Manager, Regulatory Affairs

ACS OF FAIRBANKS, LLC d/b/a ALASKA COMMUNICATIONS SYSTEMS, ALASKA COMMUNICATIONS, ACS LOCAL SERVICE, AND ACS

ACCESS SERVICES

2. General Regulations (Cont'd)

2.6 Definitions (Cont'd)

Off-Hook

The active condition of Switched Access or a telephone exchange service line.

On-Hook

The idle condition of Switched Access or a telephone exchange service line.

Open Circuit Test Line

An arrangement in an end office which provides an ac open circuit termination of a trunk or line by means of an inductor of several Henries.

Originating Direction

The use of access service for the origination of calls from an end user premises to an IXC premises.

Originating Local Exchange Carrier ("LEC")

The LEC that initially transmits an interexchange call for an end user, before transferring it to any other carrier, is the originating LEC. The originating LEC is entitled to collect originating switched access charges from the originating IXC.

Originating Intrastate Interexchange Carrier ("IXC")

The first IXC to transmit an interexchange call after it is transferred from the local exchange network is the originating IXC. The originating IXC must pay the originating switched access charges.

Permanent Virtual Circuit ("PVC")

The term "PVC" denotes a software defined communications path between two port connections within the Frame Relay Access Service network.

Point of Demarcation

The point of demarcation within a customer-designated premises at which the Company's responsibility for the provision of Access Service ends.

Premises

A building or buildings on continuous property (except Railroad right-of-way, etc.) not separated by a public highway.

Presubscribed Carrier

The interexchange carrier selected by, or assigned, to an end user's access line through the presubscription process.

Tariff Advice 135-117

Issued to comply with Order No. 4 of the Regulatory Commission of Alaska in Docket No. U-13-188, dated April 22, 2014 Effective: February 20, 2015

Issued By: ACS OF FAIRBANKS, LLC

By:

Lisa Phillips

Title: Manager, Regulatory Affairs

ACS OF FAIRBANKS, LLC d/b/a ALASKA COMMUNICATIONS SYSTEMS, ALASKA COMMUNICATIONS, ACS LOCAL SERVICE, AND ACS

ACCESS SERVICES

2. General Regulations (Cont'd)

2.6 Definitions (Cont'd)

Presubscription

The process by which end users may select a primary interexchange carrier to handle toll calls for a particular access line on a no-plus, 0-plus, or 1-plus dialing basis. Depending upon availability, the end user may presubscribe to different IXC's for interstate and intrastate calls.

Remote Switching Modules and/or Remote Switching Systems

Small, remotely controlled electronic end office switches which obtain all or part of their call processing capability from a host office. The Remote Switching Modules and/or Remote Switching Systems cannot accommodate direct trunks to an IXC.

Registered Equipment

The customer's premises equipment that complies with and has been approved within the Registration Provisions of Part 68 of the FCC's Rules and Regulations.

Serving Wire Center

The wire center from which the customer designated premises would normally obtain dial tone from the Company.

Shortage of Facilities and Equipment

A condition which occurs when the Company does not have appropriate cable, switching capacity, bridging or multiplexing equipment, etc., necessary to provide the access service requested by the customer.

Short Circuit Test Line

An arrangement in an end office that provides for an ac short circuit termination of a trunk or line by means of a capacitor of at least four microfarads.

Signaling Point ("SP")

The term "Signaling Point" denotes an SS7 network interface element capable of originating and terminating SS7 trunk signaling messages.

Service Switching Point ("SSP")

A Service Switching Point denotes an end office or tandem which, in addition to having SS7 and SP capabilities, is also equipped to query centralized data bases.

Signaling System 7 ("SS7")

The term "Signaling System 7" denotes the layered protocol used for standardized common channel signaling in the United States and Puerto Rico.

Tariff Advice 135-117

Issued to comply with Order No. 4 of the Regulatory Commission of Alaska in Docket No. U-13-188, dated April 22, 2014 Effective: February 20, 2015

Issued By: ACS OF FAIRBANKS, LLC

By: _____
Lisa Phillips

Title: Manager, Regulatory Affairs

ACS OF FAIRBANKS, LLC d/b/a ALASKA COMMUNICATIONS SYSTEMS, ALASKA COMMUNICATIONS, ACS LOCAL SERVICE, AND ACS

ACCESS SERVICES

2. General Regulations (Cont'd)

2.6 Definitions (Cont'd)

Signal Transfer Point ("STP")

The term "Signal Transfer Point" denotes a packet switch which provides access to the Company's SS7 network and performs SS7 message signal routing and screening.

Signal Transfer Point ("STP") Port

The term "Signal Transfer Point ("STP") Port" denotes the point of termination and interconnection to the STP.

Special Access - See Section 7

Standard PVC

The term "Standard PVC" denotes the interconnection of ports on the same frame relay switch.

Switched Access - See Section 6

Switched Access Lines

Prior month-end count of working communication facilities that provide access services that terminate in end offices. This includes, but is not limited to:

- A. Residence and business lines,
- B. Public telephone access lines,
- C. Lines to an Internet Service Provider ("ISP"). The local service line between the local switch and the ISP location is counted as an access line whenever the ISP lines terminate on the switch. For lines provided using derived channel (or trunk-like) facilities, each voice band equivalent channel carrying calls to the ISP will count as an access line.

Synchronous Test Line

An arrangement in an end office which performs marginal operational tests of supervisory and ring-tripping functions.

Telecommunications Service Priority ("TSP")

The Telecommunications Service Priority System provides priority treatment for National Security Emergency Preparedness Services critical for maintaining a state of readiness or responding to and managing any event or crisis which causes or could cause harm to the population, damage to property or a threat to the security of the United States.

Telephone Company

Telephone Company means a carrier that provides services as a local exchange telephone utility as defined in 3 AAC 48.820 (19).

Tariff Advice 135-117

Issued to comply with Order No. 4 of the Regulatory Commission of Alaska in Docket No. U-13-188, dated April 22, 2014 Effective: February 20, 2015

Issued By: ACS OF FAIRBANKS, LLC

By: _____
Lisa Phillips

Title: Manager, Regulatory Affairs

ACS OF FAIRBANKS, LLC d/b/a ALASKA COMMUNICATIONS SYSTEMS, ALASKA COMMUNICATIONS, ACS LOCAL SERVICE, AND ACS

ACCESS SERVICES

2. General Regulations (Cont'd)

2.6 Definitions (Cont'd)

Terminating Direction

The use of Access Service for the completion of calls from an IXC premises to an end user premises.

Terminating Intrastate Interexchange Carrier ("IXC")

The last IXC to transmit an interexchange call before it is transferred to the local exchange network is the terminating IXC. The terminating IXC must pay the terminating switched access charges.

Terminating Local Exchange Carrier ("LEC")

The LEC that delivers an interexchange call to the end user that receives the call, is the terminating LEC. The terminating LEC is entitled to collect terminating switched access charges from the terminating IXC.

Termination Liability

The amount which will be billed if services using specially constructed facilities are terminated prior to the expiration of the termination liability period.

Throughput

The term "Throughput" denotes the number of data bits successfully transferred in one direction per unit of time.

Transmission Measuring (105 Type) Test Line

An arrangement in an end office which provides far-end access to a recorder and permits two-way loss and noise measurements to be made on trunks from a near end office.

Transmission Path

An electrical path capable of transmitting signals within the range of the service offering, e.g., a voice grade transmission path is capable of transmitting voice frequencies within the approximate range of 300 to 3000 Hz. A transmission path is comprised of physical or derived facilities consisting of any form or configuration of plant typically used in the telecommunications industry.

Trunk

A communications path connecting two switching systems in a network, used in the establishment of an end-to-end connection.

Trunk Group

A set of trunks that are traffic engineered as a unit for the establishment of connections between switching systems in which all of the communications paths are interchangeable.

Tariff Advice 135-117

Issued to comply with Order No. 4 of the Regulatory Commission of Alaska in Docket No. U-13-188, dated April 22, 2014 Effective: February 20, 2015

Issued By: ACS OF FAIRBANKS, LLC

By: _____
Lisa Phillips

Title: Manager, Regulatory Affairs

ACS OF FAIRBANKS, LLC d/b/a ALASKA COMMUNICATIONS SYSTEMS, ALASKA COMMUNICATIONS, ACS LOCAL SERVICE, AND ACS

ACCESS SERVICES

2. General Regulations (Cont'd)

2.6 Definitions (Cont'd)

Trunk Side Connection

The connection of a transmission path to the trunk side of a local exchange switching system. This type of connection is used when providing FGB or FGD switched access service.

Two-Wire to Four-Wire Conversion

An arrangement which converts a four-wire transmission path to a two-wire transmission path to allow a four-wire facility to terminate in a two-wire entity (e.g., a central office switch).

V&H Coordinates

A method of computing airline miles between two points by utilizing an established formula which is based on the vertical and horizontal coordinates of the two points.

Voice Equivalent Band

Once voice band or the equivalent amount of information. The voice information may be encoded for transport using either analog or digital techniques.

WATS Serving Office

The term "WATS Serving Office" denotes a Company-designated serving wire center where switching and/or screening and/or recording functions are performed for WATS/800 or WATS-type services.

Wire Center

A building in which one or more central offices, used for the provision of telephone exchange services, are located.

Wholesale Provider

A certificated intrastate interexchange carrier that has an approved and published tariff for providing wholesale service to other intrastate carriers.

Wholesale User

A certificated intrastate interexchange carrier that uses the transport facilities of another intrastate carrier to access the Company's facilities.

0-Plus Dialing

A method of dialing for an operator-assisted call where the calling party dials "0" plus the phone number, an operator comes on the line, and the caller states the type of call being attempted. This dialing pattern is used for collect, credit card, person-to-person, and third-party billed calls.

1-PIC Dialing

End user access to the same presubscribed carrier for both interstate and intrastate calling.

Tariff Advice 135-117

Issued to comply with Order No. 4 of the Regulatory Commission of Alaska in Docket No. U-13-188, dated April 22, 2014 Effective: February 20, 2015

Issued By: ACS OF FAIRBANKS, LLC

By: _____
Lisa Phillips

Title: Manager, Regulatory Affairs

ACS OF FAIRBANKS, LLC d/b/a ALASKA COMMUNICATIONS SYSTEMS, ALASKA COMMUNICATIONS, ACS LOCAL SERVICE, AND ACS

ACCESS SERVICES

2. General Regulations (Cont'd)

2.6 Definitions (Cont'd)

1-Plus Dialing

A system of dialing where the calling party dials the prefix "1" prior to the telephone number for an interexchange call.

2-PIC Dialing

A system of dialing where the end user may select, for each access line, an intrastate interexchange carrier that is different from the end user's presubscribed interstate interexchange carrier.

2.7 Audit Provisions

Upon 30 days written notice (or such shorter period as the parties may mutually agree upon), the Company or the customer, or their authorized representatives, shall have the right to examine and audit each other, during normal business hours and at reasonable intervals, as determined by the party undergoing the audit. All such records and accounts in possession of the other, which contain information bearing upon the determination of the amounts payable to either the Company by the customer or amounts payable to the customer by the Company may be audited. The maximum period any such audit shall encompass is 24 months, or the period from the most recent audit, whichever is less.

No claim or demand with respect to any audit may be made by the Company or the customer more than two years after the date of the event which gave rise to the claim or demand, except as provided for in Section 2.4.1.B.2.d or e.

The Company, and each customer which receives funds from or makes payment to the Company shall keep and maintain detailed records of all payments to and receipts from the Company so as to permit an accounting by any affected party.

Record retention for all matters applicable to the audits and reviews will be as required by law, and/or regulatory requirements; the retention will be in conformance with the practices established by the Company.

2.8 Dispute Resolution

A. Who May Initiate a Dispute

The Company, and any customer that participates in a service provided under a tariff administered by the Company, may initiate a dispute under the following dispute resolution procedure.

Tariff Advice 135-117

Issued to comply with Order No. 4 of the Regulatory Commission of Alaska in Docket No. U-13-188, dated April 22, 2014 Effective: February 20, 2015

Issued By: ACS OF FAIRBANKS, LLC

By: _____
Lisa Phillips

Title: Manager, Regulatory Affairs

ACS OF FAIRBANKS, LLC d/b/a ALASKA COMMUNICATIONS SYSTEMS, ALASKA COMMUNICATIONS, ACS LOCAL SERVICE, AND ACS

ACCESS SERVICES

2. General Regulations (Cont'd)

2.8 Dispute Resolution (Cont'd)

B. Jurisdictional Limitation

1. Disputes Beyond Scope of This Procedure

The following issues are beyond the scope of this procedure and may not be presented to the Company for resolution:

- a. The rates for services set forth in this tariff;
- b. The ratios and factors as determined or developed by the RCA (including rate of return factors);
- c. Any matter that involves resolving the accuracy of data provided by the IXC relating to the determination of an IXC's market share except that the Company will call an IXC to make an initial inquiry about the accuracy of the data submitted.
- d. Any matter exclusively reserved to the Regulatory Commission of Alaska by statute, administrative regulation, or tariff provisions.

2. Disputes Within Scope of This Procedure

Any matter not beyond the scope of this procedure may be submitted to the Company under this procedure.

C. Initiation of Disputes

Any aggrieved entity (hereafter "disputant") may initiate a dispute by serving on the Company a written statement setting forth the nature of the dispute and the specific relief requested. In the event the dispute involves an entity other than or in addition to the Company itself, the disputant shall simultaneously serve a copy of the written statement on all other affected entities. The Company shall distribute appropriate copies of the dispute statement to the appropriate Company personnel.

D. Investigation of Dispute

The Company shall conduct such investigation into the dispute as it deems reasonable and appropriate. The investigation may be conducted informally, and shall be directed to a fair and expeditious resolution of any legitimate dispute.

Tariff Advice 135-117

Issued to comply with Order No. 4 of the Regulatory Commission of Alaska in Docket No. U-13-188, dated April 22, 2014 Effective: February 20, 2015

Issued By: ACS OF FAIRBANKS, LLC

By: _____
Lisa Phillips

Title: Manager, Regulatory Affairs

ACS OF FAIRBANKS, LLC d/b/a ALASKA COMMUNICATIONS SYSTEMS, ALASKA COMMUNICATIONS, ACS LOCAL SERVICE, AND ACS

ACCESS SERVICES

2. General Regulations (Cont'd)

2.8 Dispute Resolution (Cont'd)

E. Resolution of Dispute by the Company

Any dispute shall be resolved by the Company. The Company shall render a written determination within 30 days of the submission date of the dispute. In the event the Company fails to render a written decision within this 30-day period, the dispute shall be deemed to have been denied.

F. Right to File Complaint With the RCA

Nothing in this dispute resolution procedure shall deprive the disputant of its right to file a complaint with the Regulatory Commission of Alaska, either in the first instance, or as an appeal from a resolution entered as a result of the procedures set forth herein.

Tariff Advice 135-117

Issued to comply with Order No. 4 of the Regulatory Commission of Alaska in Docket No. U-13-188, dated April 22, 2014 Effective: February 20, 2015

Issued By: ACS OF FAIRBANKS, LLC

By:

Lisa Phillips

Title: Manager, Regulatory Affairs

ACS OF FAIRBANKS, LLC d/b/a ALASKA COMMUNICATIONS SYSTEMS,
ALASKA COMMUNICATIONS, ACS LOCAL SERVICE, AND ACS

ACCESS SERVICES

3. Carrier Common Line Access

3.1 General Description

Carrier Common Line Access provides for the use of the Company's common lines by interexchange carriers ("IXC") for access to the Company's end users to furnish intrastate service.

Carrier Common Line Access is provided where the Company's end users subscribe to local exchange telephone service.

3.2 Limitations

- A. A telephone number is not provided with Carrier Common Line Access.
- B. Detail billing is not provided for Carrier Common Line Access.
- C. Directory listings are not included in the rates and charges for Carrier Common Line Access.
- D. Intercept arrangements are not included in the rates and charges for Carrier Common Line Access.

Tariff Advice 135-117

Issued to comply with Order No. 4 of the Regulatory Commission of Alaska in Docket No. U-13-188, dated April 22, 2014 Effective: February 20, 2015

Issued By: ACS OF FAIRBANKS, LLC

By:

Lisa Phillips

Title: Manager, Regulatory Affairs

ACS OF FAIRBANKS, LLC d/b/a ALASKA COMMUNICATIONS SYSTEMS,
ALASKA COMMUNICATIONS, ACS LOCAL SERVICE, AND ACS

ACCESS SERVICES

3. Carrier Common Line Access (Cont'd)

3.3 Undertaking of the Company

The Company will provide the use of the Company's common lines by an IXC for access to end users. The procedure for recovering the Carrier Common Line ("CCL") revenue requirement is set forth in these rules and regulations.

3.4 Obligations of the Customer

- A. Any switched access service associated with Carrier Common Line Access shall be ordered under other sections of this tariff.
- B. The IXC facilities at the premises of the ordering IXC shall provide the necessary on-hook and off-hook supervision.

3.5 Rate Regulation

- A. The CCL Access Charge will be billed to the Alaska Universal Service Administrative Company ("AUSAC") in accordance with the regulations as set forth below.
- B. The Company shall determine the total dollar amount of the CCL revenue to be recovered from AUSAC as follows:
 - 1. The monthly AUSAC CCL billing will be determined by first multiplying the Company's monthly rate cap by the Company's revenue producing switched access lines and then subtracting monthly Network Access Fee ("NAF") revenue. The number of revenue producing access lines shall be based either on the average of beginning of period and end of period number of lines for the month in which the NAF revenues were derived, or based on such other line count method approved by the Commission that is reasonably synchronized with the billing period.

Tariff Advice 135-117

Issued to comply with Order No. 4 of the Regulatory Commission of Alaska in Docket No. U-13-188, dated April 22, 2014 Effective: February 20, 2015

Issued By: ACS OF FAIRBANKS, LLC

By:

Lisa Phillips

Title: Manager, Regulatory Affairs

RCA NO. 117

Original

Sheet No.

3-3

Canceling:

Sheet No.

ACS OF FAIRBANKS, LLC d/b/a ALASKA COMMUNICATIONS SYSTEMS,
ALASKA COMMUNICATIONS, ACS LOCAL SERVICE, AND ACS

ACCESS SERVICES

3. Carrier Common Line Access (Cont'd)

3.5 Rate Regulation (Cont'd)

Tariff Advice 135-117

Issued to comply with Order No. 4 of the Regulatory Commission of Alaska in Docket No. U-13-188, dated April 22, 2014

Effective: February 20, 2015

Issued By: ACS OF FAIRBANKS, LLC

By:

Lisa Phillips

Title: Manager, Regulatory Affairs

ACS OF FAIRBANKS, LLC d/b/a ALASKA COMMUNICATIONS SYSTEMS,
ALASKA COMMUNICATIONS, ACS LOCAL SERVICE, AND ACS

ACCESS SERVICES

4. End User Access Service

4.1 General Description

This section is to define the relationship of the end user as related to access service. There is a Network Access Fee ("NAF") to the end user for intrastate access.

The Company will provide end user access service to end users who obtain local exchange service from the Company under its local exchange tariffs and end users who obtain intrastate WATS service.

End user access provides for the use of an end user common line (EUCL) and an intrastate WATS service by an end user.

The Company will provide the following End User Access rate element at the rate set forth in Section 13.5.

Network Access Fee ("NAF") – The NAF is expressed in dollars and cents per line per month and will be assessed upon end users that subscribe to any switched local exchange telephone service, including Centrex and pay telephone services. The NAF is assessed for each line between the premises of an end user, or pay telephone and a Class 5 office that is or may be used for local exchange service transmissions.

4.2 Limitations

- 4.2.1 A telephone number is not provided with end user access.
- 4.2.2 Detail billing is not provided with end user access.
- 4.2.3 Directory listings are not included with end user access.
- 4.2.4 Intercept arrangements are not included with end user access.

4.3 Undertaking of the Company

- 4.3.1 The Company will provide the use of an EUCL for access to intrastate access services when the end user obtains local telephone exchange service, or an intrastate WATS service.
- 4.3.2 The Company will be responsible for contacts and arrangements with end users.

Tariff Advice 135-117
Issued to comply with Order No. 4 of the Regulatory Commission of Alaska in Docket No. U-13-188, dated April 22, 2014 Effective: February 20, 2015

Issued By: ACS OF FAIRBANKS, LLC

By: _____
Lisa Phillips

Title: Manager, Regulatory Affairs

ACS OF FAIRBANKS, LLC d/b/a ALASKA COMMUNICATIONS SYSTEMS,
ALASKA COMMUNICATIONS, ACS LOCAL SERVICE, AND ACS

ACCESS SERVICES

4. End User Access Service

4.4 Payment Arrangements and Credit Allowances

4.4.1 Minimum Period

The minimum period for which EUCL end user access is provided is the same as that of the service with which it is associated

A. Those EUCL's associated with a local exchange telephone service will have the same minimum period as described in the Company's local exchange tariff for the associated service.

B. Those EUCL's associated with an intrastate WATS access line will have the same minimum period as described in the Company's local operating tariff for intrastate WATS service.

4.4.2 Cancellation of Application

End user access is cancelled when the order for the associated service is cancelled. No cancellation charges apply.

4.4.3 Changes to Orders

When changes are made to orders for local exchange service or the intrastate WATS access line associated with end user access, any necessary changes will also be made for end user access. No charges will apply.

4.4.4 Allowance for Interruptions

When end user access service is interrupted, the credit allowance for interruptions as set forth in Section 2.4.3 applies.

Tariff Advice 135-117

Issued to comply with Order No. 4 of the Regulatory Commission of Alaska in Docket No. U-13-188, dated April 22, 2014 Effective: February 20, 2015

Issued By: ACS OF FAIRBANKS, LLC

By: _____
Lisa Phillips

Title: Manager, Regulatory Affairs

ACS OF FAIRBANKS, LLC d/b/a ALASKA COMMUNICATIONS SYSTEMS, ALASKA COMMUNICATIONS, ACS LOCAL SERVICE, AND ACS

ACCESS SERVICES

5. Ordering Options for Switched and Special Access Service

5.1 General

This section sets forth the regulations and charges for Switched, Special, and Public Packet Data Network Access Services. These regulations and charges are in addition to other applicable regulations and charges as set forth in other sections of this tariff.

5.1.1 Ordering Conditions

A customer may order any number of services of the same type and between the same premises on a single Access Order.

The customer shall provide all information necessary for the Company to provide and bill for the requested service. In addition to the order information required in Section 5.2 following, the customer must also provide:

- Customer name and premise address(es).
- Billing name and address (when different from customer name and address).
- Customer contact name(s) and telephone number(s) for the following provisions activities:
 1. Order negotiation
 2. Order confirmation
 3. Interactive design
 4. Installation
 5. Billing

Service Installations

The Company will provide the access service in accordance with the customer's requested service date, subject to the constraints established by the Company's schedule of applicable service dates.

Tariff Advice 135-117

Issued to comply with Order No. 4 of the Regulatory Commission of Alaska in Docket No. U-13-188, dated April 22, 2014 Effective: February 20, 2015

Issued By: ACS OF FAIRBANKS, LLC

By:

Lisa Phillips

Title: Manager, Regulatory Affairs

ACS OF FAIRBANKS, LLC d/b/a ALASKA COMMUNICATIONS SYSTEMS, ALASKA COMMUNICATIONS, ACS LOCAL SERVICE, AND ACS

ACCESS SERVICES

5. Ordering Options for Switched and Special Access Service

5.1 General (Cont'd)

5.1.2 Provision of Other Services

Other services as described in Sections 9.1 and 9.2 may be ordered in conjunction with the order for access service. All rates and charges set forth in Section 13 for additional engineering, additional labor, and miscellaneous services will apply in addition to the rates and charges for the access service with which they are associated.

5.1.3 Expedited Orders

A customer may request an expedited service date. When this situation occurs, charges will be applicable as set forth in Section 9. The Company will provide an estimate of the charges to the customer. The customer must accept the price estimate prior to the Company performing an expedite. The actual charges billed to the customer will be no more than 10 percent over the estimate.

To develop, determine, and bill the customer extraordinary costs which may be involved, the special construction terms and conditions as set forth in Section 10 may apply.

5.2 Access Order

An Access Order is used by the Company to provide a customer access service as follows:

- Switched Access Service as set forth in Section 6.
- Special Access Service as set forth in Section 7.
- WATS Access Line as set forth in Section 6.
- Other Services as set forth in Section 9.

Tariff Advice 135-117

Issued to comply with Order No. 4 of the Regulatory Commission of Alaska in Docket No. U-13-188, dated April 22, 2014 Effective: February 20, 2015

Issued By: ACS OF FAIRBANKS, LLC

By:

Lisa Phillips

Title: Manager, Regulatory Affairs

ACS OF FAIRBANKS, LLC d/b/a ALASKA COMMUNICATIONS SYSTEMS, ALASKA COMMUNICATIONS, ACS LOCAL SERVICE, AND ACS

ACCESS SERVICES

5. Ordering Options for Switched and Special Access Service

5.2 Access Order (Cont'd)

A. Feature Group A

Orders for Feature Group A switched access service shall be in lines.

When placing an order for Feature Group A Service, the customer shall provide the following information in addition to that set forth in Section 5.1:

- The number of lines and the first point of switching (i.e., dial tone office).
- Optional features
- Whether the off-hook supervisory signaling is provided by the customer's equipment before the called party answers, or is forwarded by the customer's equipment when the called party answers
- Lines to be provided as single lines
- Lines to be arranged in multi-line hunt group arrangements
- Directionality (1-way, 2-way, etc.)
- A projected percentage of interstate use ("PIU")
- The Interexchange Carrier to which the service is connected or, in the alternative, specify the means by which the FGA access communications are transported.

B. Feature Group B

Orders for Feature Group B switched access service shall be in trunks.

When placing an order for Feature Group B service, the customer shall provide the following information in addition to that set forth in Section 5.1:

- The number of trunks
- The end office when direct routing is desired
- The access tandem office when FGB is provided through a centralized equal access arrangement
- Optional features
- Trunks to be provided as single trunks
- Trunks to be arranged in trunk group arrangements
- Directionality (1-way, 2-way, etc.)

Tariff Advice 135-117

Issued to comply with Order No. 4 of the Regulatory Commission of Alaska in Docket No. U-13-188, dated April 22, 2014 Effective: February 20, 2015

Issued By: ACS OF FAIRBANKS, LLC

By: _____
Lisa Phillips

Title: Manager, Regulatory Affairs

ACS OF FAIRBANKS, LLC d/b/a ALASKA COMMUNICATIONS SYSTEMS, ALASKA COMMUNICATIONS, ACS LOCAL SERVICE, AND ACS

ACCESS SERVICES

5. Ordering Options for Switched and Special Access Service

5.2 Access Order (Cont'd)

B. Feature Group B (Cont'd)

- A projected percentage of interstate use ("PIU")
- The Interexchange Carrier to which the service is connected or, in the alternative, specify the means by which the FGB access communications are transported
- The access code dialing arrangement (i.e., a uniform access code of 950-1XXX or 950-0XXX or an Abbreviated Dialing Arrangement ("ADA") access code of N or NX)

C. Feature Group D, and Interim NXX Translation

When placing an order for Feature Group D switched access service, the customer shall provide:

- The number of BHMC from the customer designated premises to the end office by Feature Group and by type of BHMC, or the number of trunks desired between customer designated premises and an entry switch
- Optional Features
- Interim NXX translation options

When BHMC information is provided it is used to determine the number of transmission paths as set forth in Section 6.6.5.

The BHMC may be determined by the customer in the following manner. For each day (8 am to 11 pm, Monday through Friday, excluding national holidays), the customer shall determine the highest number of minutes of use for a single hour (e.g., 55 minutes in the 10-11 am hour). The customer shall, for the same hour period (i.e., busy hour) for each of twenty consecutive business days, pick the twenty consecutive business days in a calendar year which add up to the largest number of minutes of use. Both originating and terminating minutes shall be included. The customer shall then determine the average busy hour minutes of capacity (i.e., BHMC by dividing the larger number of minutes of use figure for the same hour period for the consecutive twenty business day period by 20. This computation shall be performed for each end office the customer wishes to serve. These determinations thus establish the forecasted BHMC for each end office.

Tariff Advice 135-117

Issued to comply with Order No. 4 of the Regulatory Commission of Alaska in Docket No. U-13-188, dated April 22, 2014 Effective: February 20, 2015

Issued By: ACS OF FAIRBANKS, LLC

By: _____
Lisa Phillips

Title: Manager, Regulatory Affairs

ACS OF FAIRBANKS, LLC d/b/a ALASKA COMMUNICATIONS SYSTEMS, ALASKA COMMUNICATIONS, ACS LOCAL SERVICE, AND ACS

ACCESS SERVICES

5. Ordering Options for Switched and Special Access Service

5.2 Access Order (Cont'd)

C. Feature Group D, and Interim NXX Translation (Cont'd)

Customers may at their option, order FGD by specifying the number of trunks desired between customer designated premises and an end office or access tandem. When ordering by trunk quantities rather than BHMC quantities to an access tandem, the customer must also provide the Company an estimate of the amount of traffic it will generate to and/or from each end office subtending the access tandem to assist the Company in its own efforts to project further facility requirements.

When Feature Group D is ordered with the Interim NXX Translation optional feature, the customer shall specify the service access code(s) (e.g., 900) and their associated NXX code(s). The initial and subsequent orders to add, change, or delete Interim NXX Translation codes shall be placed separately or in combination with orders to change Feature Group D switched access BHMC or trunks. Customer assigned NXX codes that have not been ordered will be blocked.

Orders for the Interim NXX Translation optional feature shall not be required until such time as a customer requests Interim NXX Translation of service access codes. Upon receipt of such order, the Company shall notify the MTS/WATS provider of the activation of the Interim NXX Translation service for the Service Access Code. Following such initial activation, all customers are required to place orders for Interim NXX Translation of the Service Access Code and the Interim NXX Translation charge for the Service Access Code shall apply as set forth in Section 13.2.1.C.

Tariff Advice 135-117

Issued to comply with Order No. 4 of the Regulatory Commission of Alaska in Docket No. U-13-188, dated April 22, 2014 Effective: February 20, 2015

Issued By: ACS OF FAIRBANKS, LLC

By:

Lisa Phillips

Title: Manager, Regulatory Affairs

ACS OF FAIRBANKS, LLC d/b/a ALASKA COMMUNICATIONS SYSTEMS, ALASKA COMMUNICATIONS, ACS LOCAL SERVICE, AND ACS

ACCESS SERVICES

5. Ordering Options for Switched and Special Access Service

5.2 Access Order (Cont'd)

C. Feature Group D, and Interim NXX Translation (Cont'd)

Wholesale users are required to order access from each Company where they intend to originate or terminate calls. The access service request must identify the provider. The wholesale provider is responsible for specifying trunking requirements for switched wholesale service. The wholesale user is responsible for specifying trunking requirements for dedicated wholesale service.

D. Special access service may be ordered for connection with FGD switched access service at company-designated WATS service offices ("WSO") for the provision of WATS or WATS-type services and may be ordered separately by a customer other than the customer which orders the FGD switched access service.

For the special access service, the customer shall specify the customer designated premises at which the special access service terminates, the type of line (i.e., two-wire or four-wire), the type of calling (i.e., originating, terminating, or two-way) and the type of supervisory signaling. When the optional screening, switching and/or recording functions are not provided at the customer's serving wire center, Channel Mileage Facility as set forth in Section 7.2.1, must be ordered between that wire center and the nearest WSO where the screening, switching, and/or recording functions can be provided.

Tariff Advice 135-117

Issued to comply with Order No. 4 of the Regulatory Commission of Alaska in Docket No. U-13-188, dated April 22, 2014 Effective: February 20, 2015

Issued By: ACS OF FAIRBANKS, LLC

By:

Lisa Phillips

Title: Manager, Regulatory Affairs

ACS OF FAIRBANKS, LLC d/b/a ALASKA COMMUNICATIONS SYSTEMS, ALASKA COMMUNICATIONS, ACS LOCAL SERVICE, AND ACS

ACCESS SERVICES

5. Ordering Options for Switched and Special Access Service

5.2 Access Order (Cont'd)

E. For 800 Data Base access service, as described in Section 6.2, the customer must order FGD to those access tandems or end offices designated as Service Switching Points ("SSP") for 800 Data Base service or to those non-SSP equipped end offices that can accommodate direct trunking of originating 800 calls. SSP equipped end offices, access tandems, and non-SSP equipped end offices that can accommodate direct trunking of originating 800 calls are designated in National Exchange Carrier Association, Inc. Tariff FCC No. 4, Wire Center Information. All traffic originating from end offices not equipped to provide SS7 signaling and routing and not able to accommodate direct trunking of originating 800 calls requires routing via an access tandem where SSP functionality is available.

F. Frame Relay Access Service

When ordering Frame Relay access service, a minimum of two port connections are required for data to be transported between customer designated premises.

When placing an order for Frame Relay access service the customer must specify:

- The number of Permanent Virtual Connections (PVCs) required;
- The location of ports for each PVC;
- The Committed Information Rates ("CIR") that will be associated with each PVC;
- That the traffic consists of less than ten percent interstate traffic and more than ten percent intrastate traffic.

The port connecting the special access facility to the Company frame relay switch must be ordered and provided at the same speed as the special access facility.

When connecting to the port of another customer, the ordering customer must obtain authorization from the other customer.

When an extended PVC is ordered, the customer is responsible for placing the order with all telephone companies involved.

Tariff Advice 135-117

Issued to comply with Order No. 4 of the Regulatory Commission of Alaska in Docket No. U-13-188, dated April 22, 2014 Effective: February 20, 2015

Issued By: ACS OF FAIRBANKS, LLC

By: _____
Lisa Phillips

Title: Manager, Regulatory Affairs

ACS OF FAIRBANKS, LLC d/b/a ALASKA COMMUNICATIONS SYSTEMS, ALASKA COMMUNICATIONS, ACS LOCAL SERVICE, AND ACS

ACCESS SERVICES

5. Ordering Options for Switched and Special Access Service

5.3 Access Order Service Intervals

To the extent the access service can be made available with reasonable effort, the Company will provide access service in accordance with the customer's requested interval. The Company is not responsible for any delays caused by any other connecting exchange telephone company in the provision of service to the customer's point of termination.

If, in order to meet the customer's requested service date, work must be performed outside scheduled work hours, Additional Labor charges as described in Section 9 will apply.

5.4 Access Order Change Charges

The customer may request a change of its Access Order prior to the service date. The Company will make every effort to accommodate a requested change when it is able to do so with the normal work force assigned to complete such an order within normal business hours. If the change cannot be made with the normal work force during normal business hours, the Company will notify the customer that additional labor and/or engineering charges will apply. If the customer still desires the Access Order change and agrees to any additional charges that may apply, the Company will schedule a new service date. Additional labor or engineering charges as described in Section 9 will apply.

Any increase in the number of special access service channels or switched access service lines, trunks, busy hour minutes of capacity or Frame Relay Ports and/or PVCs or CCS/SS7 Port Terminations will be treated as a new Access Order (for the increased amount only).

Any decrease in the number of ordered special access service channels or switched access service busy hour minutes of capacity will be treated as a partial cancellation and the conditions as set forth in Section 5.6.4 will apply.

If order changes are necessary to satisfy the transmission performance for a special access service ordered by a customer, these changes will be made without order change charges being incurred by the customer.

Tariff Advice 135-117

Issued to comply with Order No. 4 of the Regulatory Commission of Alaska in Docket No. U-13-188, dated April 22, 2014 Effective: February 20, 2015

Issued By: ACS OF FAIRBANKS, LLC

By:

Lisa Phillips

Title: Manager, Regulatory Affairs

ACS OF FAIRBANKS, LLC d/b/a ALASKA COMMUNICATIONS SYSTEMS, ALASKA COMMUNICATIONS, ACS LOCAL SERVICE, AND ACS

ACCESS SERVICES

5. Ordering Options for Switched and Special Access Service

5.5 Selection of Facilities for Access Orders

The Company will make a reasonable effort to accommodate a customer request for a specific transmission path.

5.6 Charges Associated with Access Ordering

5.6.1 Access Order Charge

The Access Order charge is applied to all customer requests for new special and switched access service, Public Packet Data Network Access service and Directory Assistance service. In addition, the Access Order charge is applicable to customer requests for additions, changes or rearrangements to existing special and switched access service, Public Packet Data Network Access service and Directory Assistance service with the following exceptions:

The Access Order charge does not apply:

- When a Service Date Change charge is applicable.
- When a Design Change charge is applicable.
- To administrative changes as set forth in Sections 6.8.1.A and 7.2.2.B.
- When a change to a pending order does not result in the cancellation of the pending order and the issuance of a new order.
- When a Miscellaneous Service Order charge is applicable
- When a Presubscription charge is applicable.
- When a Company initiated network reconfiguration requires a customer's existing access service to be reconfigured.

The Access Order charge will be applied on a per order basis to each order received by the Company or copy of an order received by the Company pursuant to Section 5.2, except by the Company applying the Interim NXX Translation charge, and is in addition to order-applicable charges as set forth in this and other sections of this tariff.

Tariff Advice 135-117

Issued to comply with Order No. 4 of the Regulatory Commission of Alaska in Docket No. U-13-188, dated April 22, 2014 Effective: February 20, 2015

Issued By: ACS OF FAIRBANKS, LLC

By:

Lisa Phillips

Title: Manager, Regulatory Affairs

ACS OF FAIRBANKS, LLC d/b/a ALASKA COMMUNICATIONS SYSTEMS, ALASKA COMMUNICATIONS, ACS LOCAL SERVICE, AND ACS

ACCESS SERVICES

5. Ordering Options for Switched and Special Access Service

5.6 Charges Associated with Access Ordering (Cont'd)

5.6.2 Miscellaneous Service Order Charge

A Miscellaneous Service Order charge, as set forth in Section 13, applies to any service, or combination of services ordered simultaneously from Section 9 of the tariff for which a service order is not already pending (with the exception of Presubscription Section 9.3.4, which does not have the charge applied). The Miscellaneous Service Order charge is an administrative charge designed to compensate for the expenses associated with service order issuance.

The charge always applies to the following services since a pending service order would not exist:

- Overtime Repair (Section 9.2.2)
- Standby Repair (Section 9.2.3)
- Testing and Maintenance with telephone companies other than when in conjunction with Acceptance Testing (Section 9.2.4)
- Other Labor (Section 9.2.6)
- Maintenance of Service (Section 9.3.2)
- Unauthorized PIC Change

The Miscellaneous Service Order charge will also apply to the following services if they are ordered subsequent to the initial installation of the associated access service, thereby necessitating the issuance of another service order:

- Telecommunications Service Priority (Section 9.3.3)
- Additional Engineering (Section 9.1)
- Overtime Installation (Section 9.2.3)
- Standby Acceptance Testing (Section 9.2.3)
- Testing and Maintenance with other telephone companies when in conjunction with Acceptance Testing (Section 9.3.4)
- Additional Cooperative Acceptance Testing (Sections 9.3.1.A.1 and 9.3.1.B.1)

Tariff Advice 135-117

Issued to comply with Order No. 4 of the Regulatory Commission of Alaska in Docket No. U-13-188, dated April 22, 2014 Effective: February 20, 2015

Issued By: ACS OF FAIRBANKS, LLC

By:

Lisa Phillips

Title: Manager, Regulatory Affairs

ACS OF FAIRBANKS, LLC d/b/a ALASKA COMMUNICATIONS SYSTEMS, ALASKA COMMUNICATIONS, ACS LOCAL SERVICE, AND ACS

ACCESS SERVICES

5. Ordering Options for Switched and Special Access Service

5.6 Charges Associated with Access Ordering (Cont'd)

5.6.3 Service Date Change

The customer may request a change of service date on a pending Access Order prior to the service date. A change of service date is a change of the scheduled service date by the customer to either an earlier date or a later date that does not exceed 30 calendar days from the original service date.

If the Company determines that the customer's request can be accommodated without delaying the service dates for orders of other customers, the service date will be changed and the Service Date Change Charge, as set forth in Section 13, will be applied to the order.

If the service date is changed to an earlier date, and the Company determines additional labor or extraordinary costs are necessary to meet the earlier service date requested by the customer, the customer will be notified by the Company that charges as set forth in Section 9, Additional Labor and/or Engineering will apply. Such charges will apply in addition to the Service Date Change charge.

If the requested service date exceeds 30 calendar days following the original service date, and the Company determines that the customer's request can be accommodated, the Company will cancel the original order and apply the Cancellation Charges as set forth in Section 5.8.3. A new Access Order with a new service date will be issued. The Service Date Change charge will not apply, however, the Access Order charge will apply to the new order.

If the service date is changed due to a design change as set forth in Section 5.7.4, the Service Date Change charge will apply.

Tariff Advice 135-117

Issued to comply with Order No. 4 of the Regulatory Commission of Alaska in Docket No. U-13-188, dated April 22, 2014 Effective: February 20, 2015

Issued By: ACS OF FAIRBANKS, LLC

By:

Lisa Phillips

Title: Manager, Regulatory Affairs

ACS OF FAIRBANKS, LLC d/b/a ALASKA COMMUNICATIONS SYSTEMS, ALASKA COMMUNICATIONS, ACS LOCAL SERVICE, AND ACS

ACCESS SERVICES

5. Ordering Options for Switched and Special Access Service

5.6.4 Design Change

The customer may request a design change to the service ordered prior to the requested service date. A design change is any change to an Access Order that requires engineering review. An engineering review is a review by Company personnel, of the service ordered and the requested changes to determine what changes in the design, if any, are necessary to meet the changes requested by the customer. Design changes include such things as the addition or deletion of optional features or functions or a change in the type of transport termination (switched access only), type of channel interface, type of interface group or technical specification package, or a change in the destination of PVC, speed of PVC, or speed of the end user port. Design changes do not include a change of customer designated premises, first point of switching, teature group type or special access service channel type. Changes of this nature require the issuance of a new order and the cancellation of the original order with appropriate cancellation charges applied.

The Company will review the requested change, notify the customer whether the change is a design change, if the change can be accommodated and if a new service date is required. If the customer authorizes the Company to proceed with the design change, a Design Change charge as set forth in Section 13, will apply in addition to the charge for Additional Engineering as set forth in Section 13. If a change of service date is required, the Service Date Change charge as set forth in Section 13 will also apply. The Access Order charge as specified in Section 13 does not apply.

Tariff Advice 135-117

Issued to comply with Order No. 4 of the Regulatory Commission of Alaska in Docket No. U-13-188, dated April 22, 2014 Effective: February 20, 2015

Issued By: ACS OF FAIRBANKS, LLC

By:

Lisa Phillips

Title: Manager, Regulatory Affairs

ACS OF FAIRBANKS, LLC d/b/a ALASKA COMMUNICATIONS SYSTEMS, ALASKA COMMUNICATIONS, ACS LOCAL SERVICE, AND ACS

ACCESS SERVICES

5. Ordering Options for Switched and Special Access Service (Cont'd)

5.7 Minimum Periods and Cancellation

5.7.1 Minimum Periods

The minimum period for part-time Video and Program Audio special access services is one day even though the service will be provided only for the duration of the event specified on the order (e.g., one-half hour, two hours, five hours, etc.).

Switched access service has no minimum period. The minimum period for which all other access service is provided and for which charges are applicable, is one month.

5.7.2 Development of Minimum Period Charges

When access service is disconnected after commencement of service but prior to the expiration of the minimum period, charges are applicable for the balance of the minimum period. A discount constitutes facilities being returned to available inventory.

The minimum period charge for monthly billed services will be determined as follows:

- A. For switched access service, the charge for a month or fraction thereof is equal to the applicable recurring charges plus any nonrecurring and/or special construction charge(s) that may be due.
- B. For special access service, flat rated switched access service, and Public Packet Data Network service the charge for a month or fraction thereof is the applicable monthly rates for the appropriate channel type plus any optional features, nonrecurring and/or special construction charge(s) that may apply.
- C. The minimum period for part-time Video and Program Audio special access services is the applicable daily rate for the appropriate channel type as set forth in Section 13.

Tariff Advice 135-117

Issued to comply with Order No. 4 of the Regulatory Commission of Alaska in Docket No. U-13-188, dated April 22, 2014 Effective: February 20, 2015

Issued By: ACS OF FAIRBANKS, LLC

By:

Lisa Phillips

Title: Manager, Regulatory Affairs

ACS OF FAIRBANKS, LLC d/b/a ALASKA COMMUNICATIONS SYSTEMS, ALASKA COMMUNICATIONS, ACS LOCAL SERVICE, AND ACS

ACCESS SERVICES

5. Ordering Options for Switched and Special Access Service (Cont'd)

5.7 Minimum Periods and Cancellation

5.7.3 Cancellation of an Access Order

A. A customer may cancel an Access Order for the installation of service on any date prior to the service date. The cancellation date is the date the Company receives written or verbal notice from the customer that the order is to be cancelled. The verbal notice must be followed by written confirmation within 10 days. If a customer or a customer's end user is unable to accept access service within 30 calendar days after the original service date, the customer has the choice of the following options:

- The Access Order shall be cancelled and the charges set forth in Section 5.7.3.B, will apply or,
- Billing for the service will commence.

In such instances, the cancellation date or the billing date, depending on which option is selected by the customer, shall be the 31st day beyond the original service date of the Access Order.

B. When a customer cancels an Access Order for the installation of service, a Cancellation Charge will apply as follows:

1. Installation of switched, special access service or Public Packet Data facilities is considered to have started when the Company incurs any cost in connection there with or in preparation thereof which would not otherwise have been incurred.

Tariff Advice 135-117

Issued to comply with Order No. 4 of the Regulatory Commission of Alaska in Docket No. U-13-188, dated April 22, 2014 Effective: February 20, 2015

Issued By: ACS OF FAIRBANKS, LLC

By:

Lisa Phillips

Title: Manager, Regulatory Affairs

ACS OF FAIRBANKS, LLC d/b/a ALASKA COMMUNICATIONS SYSTEMS, ALASKA COMMUNICATIONS, ACS LOCAL SERVICE, AND ACS

ACCESS SERVICES

5. Ordering Options for Switched and Special Access Service (Cont'd)

5.7 Minimum Periods and Cancellation

5.7.3 Cancellation of an Access Order

- B. 2. Where the customer cancels an Access Order prior to the start of installation of access facilities, no charges shall apply.
- 3. Where installation of the access facilities have been started prior to the cancellation, the charges specified in Section 5.7.3.B.3.a or b, whichever is less, shall apply.
 - a. A charge equal to the costs incurred in such installation, less estimated net salvage. Such costs include the nonrecoverable costs of equipment and material ordered, provided or used, plus the nonrecoverable cost of installation and removal including the costs of engineering, labor, supervision, transportation, rights-of-way, and other associated costs;
 - b. The charge for the minimum period of switched access, special access or Public Packet Data Network service ordered by the customer as set forth in Section 13.
- C. When a customer cancels an order for the discontinuance of service, no charges apply for the cancellation.
- D. If the Company misses a service date by more than 30 days and such delay is not requested or caused by the customer (excluding those circumstances where the date is missed due to acts of God, governmental requirements, work stoppages and civil commotion), the customer may cancel the Access Order without incurring cancellation charged.

5.7.4 Partial Cancellation Charge

Any decrease in the number of ordered special access service channels or switched access service lines, trunks, or busy hour minutes of capacity or Frame Relay Ports and/or PVC or CCS/SS7 Port terminations will be treated as a partial cancellation and charges will be determined as set forth in Section 5.7.3.B.

Tariff Advice 135-117

Issued to comply with Order No. 4 of the Regulatory Commission of Alaska in Docket No. U-13-188, dated April 22, 2014 Effective: February 20, 2015

Issued By: ACS OF FAIRBANKS, LLC

By: _____
Lisa Phillips

Title: Manager, Regulatory Affairs

ACS OF FAIRBANKS, LLC d/b/a ALASKA COMMUNICATIONS SYSTEMS,
ALASKA COMMUNICATIONS, ACS LOCAL SERVICE, AND ACS

ACCESS SERVICES

6. Switched Access Service

6.1 General

Switched access service, that is available to customers for their use in furnishing their services to end users, provides a communication path between a customer's premises and an end user's premises. It provides for the use of common terminating, switching and trunking facilities, and both common subscriber plant and unshared subscriber plant (i.e., WATS access lines) of the Company. Switched access service provides for the ability to originate calls from an end user's premises to a customer's premises, and to terminate calls from a customer's premises to an end user's premises. Specific reference to material describing the elements of switched access service are provided in Section 6.2.

6.2 Rate Categories

The rate categories which apply to switched access service are:

- Carrier Common Line
- Local Switching
- Information Surcharge
- Common Transport - Originating
- Tandem Switched Transport - Terminating
- Entrance Facilities
- Direct Trunk Transport
- Multiplexing
- Data Base 800 Query Charge(s)
- Equal Access Recovery Charge

Tariff Advice 135-117

Issued to comply with Order No. 4 of the Regulatory Commission of Alaska in Docket No. U-13-188, dated April 22, 2014 Effective: February 20, 2015

Issued By: ACS OF FAIRBANKS, LLC

By:

Lisa Phillips

Title: Manager, Regulatory Affairs

ACS OF FAIRBANKS, LLC d/b/a ALASKA COMMUNICATIONS SYSTEMS,
 ALASKA COMMUNICATIONS, ACS LOCAL SERVICE, AND ACS

ACCESS SERVICES

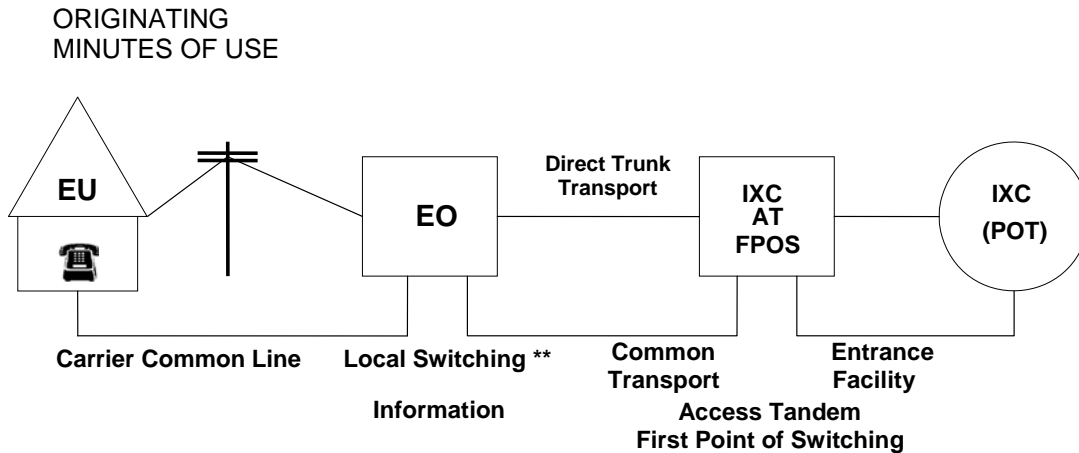
6. Switched Access Service (Cont'd)

6.2 Rate Categories (Cont'd)

The feature group(s) offered by the Company are described in Section 6.3. Rates apply for switched access service depending on a customer's usage. Access minutes are determined as described in Section 6.8.3. Rate classifications are described in Section 6.8.1. The following diagrams depict generic views of the components of switched access service and the manner in which the components are combined to provide a complete access service.

DIAGRAM 1

SWITCHED ACCESS - ORIGINATING TRAFFIC



- CL - Common Line*
- LS - Local Switching
- IS - Information Surcharge
- CT - Common Transport
- DT - Direct Trunk Transport
- EF - Entrance Facility
- EU - End User

* Common Line Access Service is provided under Section 3.

** An Equal Access Recovery Charge also applies at locations where equal access is available.

Tariff Advice 135-117

Issued to comply with Order No. 4 of the Regulatory Commission of Alaska in Docket No. U-13-188, dated April 22, 2014 Effective: February 20, 2015

Issued By: ACS OF FAIRBANKS, LLC

By: _____
 Lisa Phillips

Title: Manager, Regulatory Affairs

ACS OF FAIRBANKS, LLC d/b/a ALASKA COMMUNICATIONS SYSTEMS,
 ALASKA COMMUNICATIONS, ACS LOCAL SERVICE, AND ACS

ACCESS SERVICES

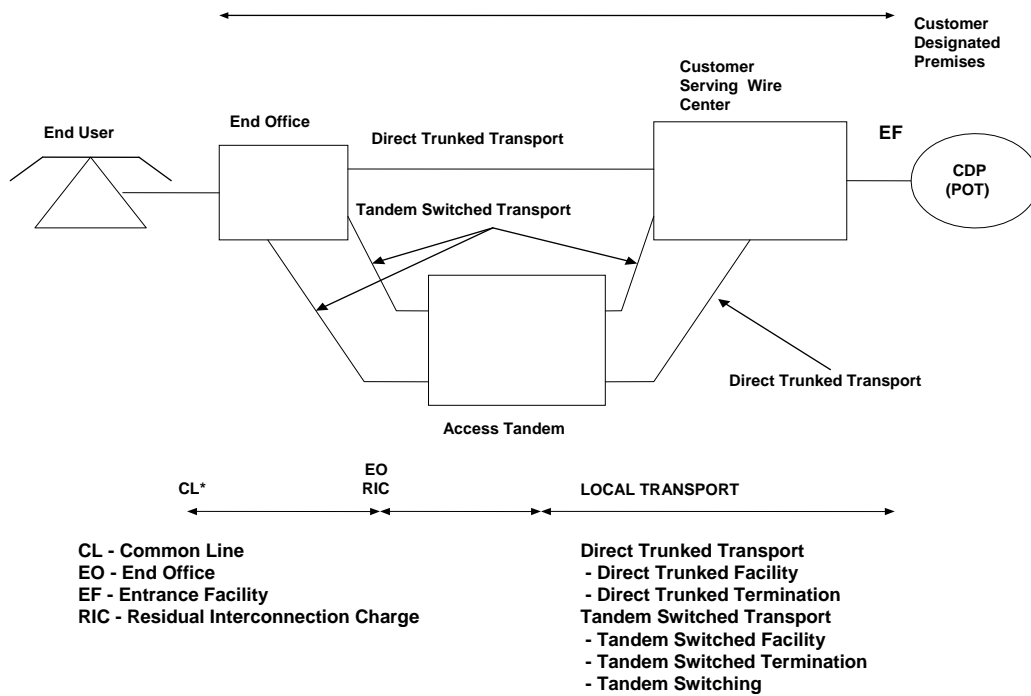
6. Switched Access Service (Cont'd)

6.2 Rate Categories (Cont'd)

DIAGRAM 2

SWITCHED ACCESS - TERMINATING TRAFFIC

TERMINATING
 MINUTES OF USE



*Common Line Access Service is provided under Section 3, preceding.

Tariff Advice 135-117
 Issued to comply with Order No. 4 of the Regulatory Commission of Alaska in Docket No. U-13-188, dated April 22, 2014 Effective: February 20, 2015

Issued By: ACS OF FAIRBANKS, LLC

By: _____
 Lisa Phillips

Title: Manager, Regulatory Affairs

ACS OF FAIRBANKS, LLC d/b/a ALASKA COMMUNICATIONS SYSTEMS,
ALASKA COMMUNICATIONS, ACS LOCAL SERVICE, AND ACS

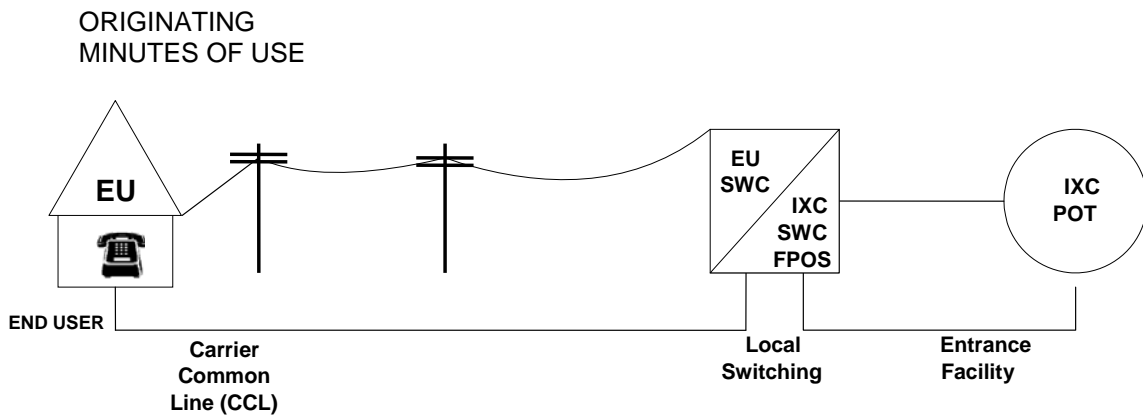
ACCESS SERVICES

6. Switched Access Service (Cont'd)

6.2 Rate Categories (Cont'd)

DIAGRAM 3

SWITCHED ACCESS - ORIGINATING
(WITH COLLOCATED IXC - SWC)



KEY:

- IXC POT - Interexchange Carrier Point of Termination
- IXC SWC - Interexchange Carrier (Customer) Serving Wire Center
- IXC FPOS - Interexchange Carrier First Point of Switching
- EU SWC - End User Serving Wire Center

CHARGES:

- CL - Common Line*
- LS - Local Switching
- IS - Information Surcharge
- CT - Common Transport
- EF - Entrance Facility

* Common Line Access Service is provided under Section 3.

Tariff Advice 135-117

Issued to comply with Order No. 4 of the Regulatory Commission of Alaska in Docket No. U-13-188, dated April 22, 2014 Effective: February 20, 2015

Issued By: ACS OF FAIRBANKS, LLC

By: _____
Lisa Phillips

Title: Manager, Regulatory Affairs

ACS OF FAIRBANKS, LLC d/b/a ALASKA COMMUNICATIONS SYSTEMS,
 ALASKA COMMUNICATIONS, ACS LOCAL SERVICE, AND ACS

ACCESS SERVICES

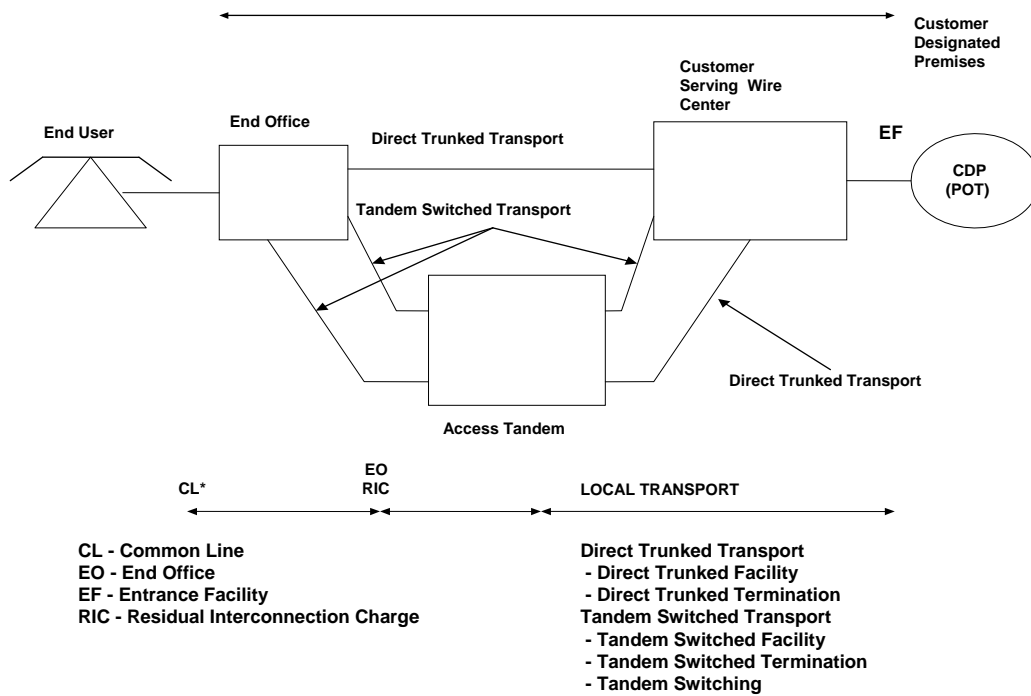
6. Switched Access Service (Cont'd)

6.2 Rate Categories (Cont'd)

DIAGRAM 4

SWITCHED ACCESS - TERMINATING TRAFFIC

TERMINATING
 MINUTES OF USE



*Common Line Access Service is provided under Section 3, preceding.

Tariff Advice 135-117

Issued to comply with Order No. 4 of the Regulatory Commission of Alaska in Docket No. U-13-188, dated April 22, 2014 Effective: February 20, 2015

Issued By: ACS OF FAIRBANKS, LLC

By: _____
 Lisa Phillips

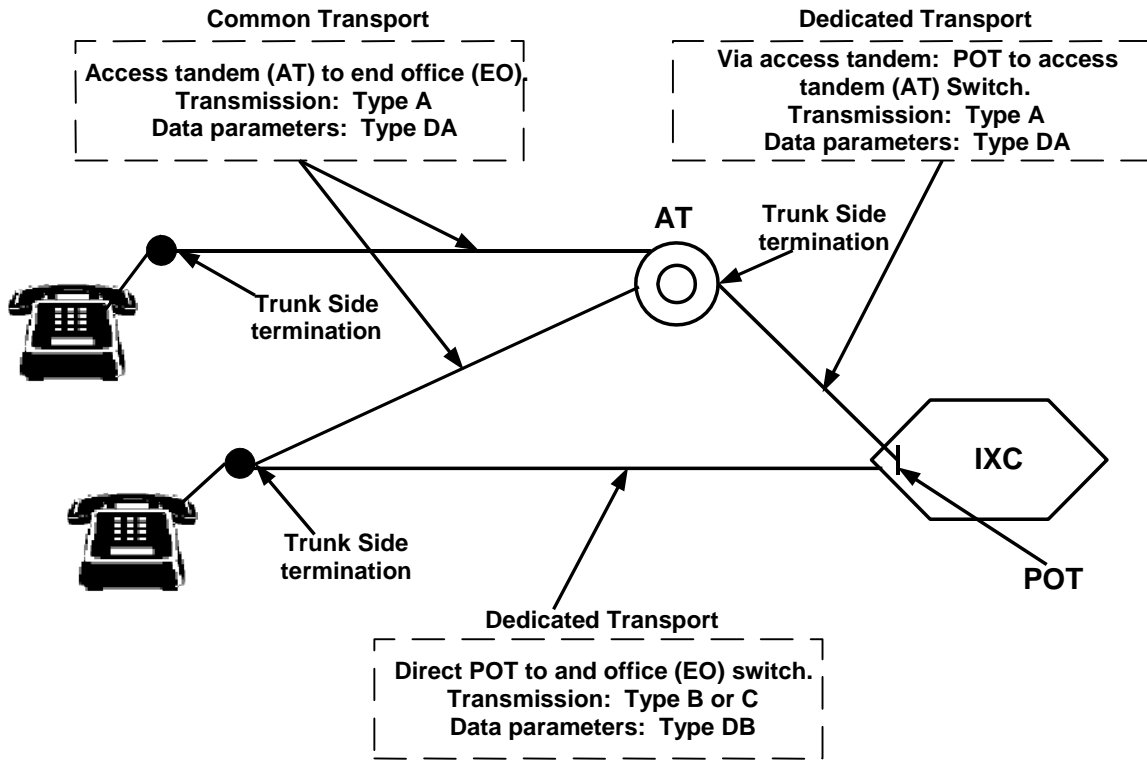
Title: Manager, Regulatory Affairs

ACS OF FAIRBANKS, LLC d/b/a ALASKA COMMUNICATIONS SYSTEMS,
ALASKA COMMUNICATIONS, ACS LOCAL SERVICE, AND ACS

ACCESS SERVICES

6. Switched Access Service (Cont'd)

6.2 Rate Categories (Cont'd)



Tariff Advice 135-117

Issued to comply with Order No. 4 of the Regulatory Commission of
Alaska in Docket No. U-13-188, dated April 22, 2014

Effective: February 20, 2015

Issued By: ACS OF FAIRBANKS, LLC

By: _____
Lisa Phillips

Title: Manager, Regulatory Affairs

ACS OF FAIRBANKS, LLC d/b/a ALASKA COMMUNICATIONS SYSTEMS,
ALASKA COMMUNICATIONS, ACS LOCAL SERVICE, AND ACS

ACCESS SERVICES

6. Switched Access Service (Cont'd)

6.2 Rate Categories (Cont'd)

A. Transport Categories

The transport elements provide the transmission facilities between the interconnection point and each end office switch of the Company where the customer's traffic is switched when originating and terminating the customer's traffic.

Transport provides that portion of the Company frequency transmission path which extends from the interconnection point to the IXC's first point of switching and includes both the physical outside plant facilities and necessary transmission equipment inside and outside of the central office (transmission facilities/interface and conditioning arrangements).

The transport rates will apply to each switched access service at the interexchange carrier's serving wire center and will also apply if the IXC serving wire center and the end user wire center are collocated, except when: (1) the customer designated premises and the serving wire center are physically (including caged, cageless, shared, and adjacent arrangements) or virtually collocated as those terms are used in 47 C.F.R. 51.323, and (2) the customer obtains collocation for the purpose of interconnection with the Company's network for the transmission and routing of telephone exchange service, exchange access or both, and for the purpose of providing local exchange or exchange access services to its customers. The Entrance Facility rate is applied on a per trunk or circuit path for all switched access feature groups.

Common transport originating provides for the frequency transmission path(s) from the IXC's first point of switch to the Company end office(s) which may be a Remote Switching Center, and may include the access tandem switch, the physical outside plant facilities and necessary transmission equipment including those found in intermediate offices.

Common transport is assessed on a per access originating minute basis for all switched access feature groups.

Tariff Advice 135-117

Issued to comply with Order No. 4 of the Regulatory Commission of Alaska in Docket No. U-13-188, dated April 22, 2014 Effective: February 20, 2015

Issued By: ACS OF FAIRBANKS, LLC

By: _____
Lisa Phillips

Title: Manager, Regulatory Affairs

ACS OF FAIRBANKS, LLC d/b/a ALASKA COMMUNICATIONS SYSTEMS,
ALASKA COMMUNICATIONS, ACS LOCAL SERVICE, AND ACS

ACCESS SERVICES

6. Switched Access Service (Cont'd)

6.2 Rate Categories (Cont'd)

A. Transport Categories (Cont'd)

The Entrance Facility recovers a portion of the costs associated with the communications path between a customer designated premises and the serving wire center of that premises. Included as part of the Entrance Facility is a standard channel interface arrangement which defines the technical characteristics associated with the type of facilities to which the access service is to be connected at the customer designated premises and the type of signaling capability, if any.

Three types of Entrance Facilities are available: (1) Voice Grade 2 or 4 wire (an analog channel with an approximate bandwidth of 300 to 3000 Hz), (2) High Capacity DS1 (an isochronous serial digital channel with a rate of 1.544 Mbps), and (3) High Capacity DS3 (an isochronous serial digit channel with a rate of 44.736 Mbps). The minimum period for which a High Capacity DS3 Entrance Facility is provided is twelve months.

One charge applies for each Entrance Facility that is terminated at a customer designated premises. This charge will apply even if the customer designated premises and the serving wire center are collocated in a Telephone Company building, except as provided for below.

The Entrance Facility Charge specified in Section 13.2, will not apply when: 1) the customer designated premises and serving wire center are physically (incl. caged, cageless, shared, adjacent arrangements) or virtually collocated as those terms are used in 47 CFR § 51.323 and, 2) the customer obtains such collocation for the purpose of interconnection with the Company's network for the transmission and routing of telephone exchange service, exchange access or both, and for the purpose of providing local exchange or exchange access services to its customers.

At the customer's request, their Transport may be connected to the Entrance Facility of another customer, providing the other customer submits a letter of authorization for this connection and assumes full responsibility for the cost of the Entrance Facility.

Tariff Advice 135-117

Issued to comply with Order No. 4 of the Regulatory Commission of Alaska in Docket No. U-13-188, dated April 22, 2014 Effective: February 20, 2015

Issued By: ACS OF FAIRBANKS, LLC

By: _____
Lisa Phillips

Title: Manager, Regulatory Affairs

ACS OF FAIRBANKS, LLC d/b/a ALASKA COMMUNICATIONS SYSTEMS,
ALASKA COMMUNICATIONS, ACS LOCAL SERVICE, AND ACS

ACCESS SERVICES

6. Switched Access Service (Cont'd)

6.2 Rate Categories (Cont'd)

A. Transport Categories (Cont'd)

The Direct Trunked Transport rate elements recover a portion of the cost associated with a communications path between a serving wire center and an end office or serving wire center and a tandem on circuits dedicated to the use of a single customer. Direct Trunked Transport is available at all ACS Company offices.

Three types of Direct Trunked Transport are available: (1) Voice Grade (analog channel with an approximate bandwidth of 300 to 3000 Hz), (2) High Capacity DS1 (isochronous serial digital channel with a rate of 1.544 Mbps), and (3) High Capacity DS3 (an isochronous serial digit channel with a rate of 44.736 Mbps). The minimum period for which a High Capacity DS3 Direct Trunked Transport is provided is twelve months.

Direct Trunked Transport rates consist of a Direct Trunked Facility rate which is applied on a per mile basis and a Direct Trunked Termination rate which is applied at each end of each measured segment of the Direct Trunked Facility (i.e., at the end office, hub, tandem and serving wire center). When the Direct Trunked Facility mileage is zero, neither the Direct Trunked Facility rate nor the Direct Trunked Termination rate will apply.

The Direct Trunked Facility rate recovers a portion of the costs of transmission facilities, including intermediate transmission circuit equipment, between the end points of the interoffice circuits.

The Direct Trunked Termination rate recovers a portion of the costs of the circuit equipment that is necessary for the termination of each end of the Direct Trunked Facility.

Tariff Advice 135-117

Issued to comply with Order No. 4 of the Regulatory Commission of Alaska in Docket No. U-13-188, dated April 22, 2014 Effective: February 20, 2015

Issued By: ACS OF FAIRBANKS, LLC

By: _____
Lisa Phillips

Title: Manager, Regulatory Affairs

ACS OF FAIRBANKS, LLC d/b/a ALASKA COMMUNICATIONS SYSTEMS,
ALASKA COMMUNICATIONS, ACS LOCAL SERVICE, AND ACS

ACCESS SERVICES

6. Switched Access Service (Cont'd)

6.2 Rate Categories (Cont'd)

A. Transport Categories (Cont'd)

DS3 to DS1 Multiplexing charges apply when a High Capacity DS3 Entrance Facility or High Capacity DS3 Trunked Facility is connected with High Capacity DS1 Direct Trunked Transport. The DS3 to DS1 multiplexer will convert a 44.736 Mbps channel to 28 DS1 channels using digital time division multiplexing.

DS1 to Voice Grade Multiplexing charges apply when a High Capacity DS1 Entrance Facility or High Capacity DS1 Direct Trunked Facility is connected with Voice Grade Direct Trunked Transport. However a DS1 to Voice Grade Multiplexing charge does not apply when a High Capacity DS1 Entrance Facility or High Capacity DS1 Direct Trunked Transport is terminated at an electronic end office and only Switched Access Service is provided over the DS1 facility (i.e., Voice Grade Special Access channels are not derived). The DS1 to Voice Grade multiplexer will convert a 1.544 Mbps channel to 24 Voice Grade channels.

Multiplexing is only available at wire centers identified in NATIONAL EXCHANGE CARRIER ASSOCIATION, INC. TARIFF F.C.C. NO. 4, WIRE CENTER INFORMATION.

The Company will work cooperatively with the customer to develop routing and other transport arrangements.

1. Interface Groups

Ten interface groups are provided for terminating common or dedicated transport at the customer's designated premises. Each interface group provides a specified premises interface (e.g., two-wire, four-wire, DS1, etc.). Where transmission facilities permit, the individual transmission path between the customer's designated premises and the first point of switching may, at the option of the customer, be provided with optional features as set forth in Section 6.2.A.2. Interface groups 1 and 2 described in Section 11.1 are nonchargeable features. No additional charges other than the rates for transport set forth in Section 13.2 apply. Additional charges may apply for Interface Groups 3 through 10.

Tariff Advice 135-117

Issued to comply with Order No. 4 of the Regulatory Commission of Alaska in Docket No. U-13-188, dated April 22, 2014 Effective: February 20, 2015

Issued By: ACS OF FAIRBANKS, LLC

By: _____
Lisa Phillips

Title: Manager, Regulatory Affairs

ACS OF FAIRBANKS, LLC d/b/a ALASKA COMMUNICATIONS SYSTEMS,
ALASKA COMMUNICATIONS, ACS LOCAL SERVICE, AND ACS

ACCESS SERVICES

6. Switched Access Service (Cont'd)

6.2 Rate Categories (Cont'd)

A. Transport Categories (Cont'd)

1. Interface Groups (Cont'd)

As a result of the customer's access order and the type of Company transport facilities serving the customer's premises, the need for signaling conversions or two-wire to four-wire conversions, or the need to terminate digital or high frequency facilities in channel bank equipment may require that Company equipment be placed at the customer's designated premises. For example, if a voice frequency interface is ordered by the customer and the Company facilities serving the customer's designated premises are digital, then Company channel bank equipment must be placed at the customer's designated premises in order to provide the voice frequency interface ordered by the customer. Technical specifications concerning the available interface groups are set forth in Section 11.1.

2. Chargeable Optional Features

800 Data Base access service is provided to all customers in conjunction with FGD switched access service. A basic or vertical feature query charge, as set forth in Section 13.2.2.F, is assessed for each query launched to the 800 database. The basic query provides the identification of the customer to whom the call will be delivered. The vertical feature query provides this same customer identification function in addition to vertical features which may include:

- a. Call validation (ensuring that calls originate from subscribed service areas);
- b. POTS translation of 800 numbers (which is generally necessary for the routing of 800 calls);
- c. alternate POTS translation (which allows subscribers to vary the routing of 800 calls based on factors such as time of day, place of origination of the call, etc.); and
- d. multiple carrier routing [which allows subscribers to route to different carriers based on factors similar to those in (c).

B. End Office

The end office rate category establishes the charges related to the local end office switching and end user termination functions necessary to complete the transmission of switched access communications to and from the end users served by the local end office. The end office rate category includes the local switching and information surcharge rate elements.

Tariff Advice 135-117

Issued to comply with Order No. 4 of the Regulatory Commission of Alaska in Docket No. U-13-188, dated April 22, 2014 Effective: February 20, 2015

Issued By: ACS OF FAIRBANKS, LLC

By: _____
Lisa Phillips

Title: Manager, Regulatory Affairs

ACS OF FAIRBANKS, LLC d/b/a ALASKA COMMUNICATIONS SYSTEMS,
ALASKA COMMUNICATIONS, ACS LOCAL SERVICE, AND ACS

ACCESS SERVICES

6. Switched Access Service (Cont'd)

6.2 Rate Categories (Cont'd)

B. End Office (Cont'd)

1. Local Switching

The local switching rate element establishes the charges related to the use of end office switching equipment, the terminations in the end office of end user lines, and the terminations of calls at Company Intercept operators or recordings.

Local switching rates are assessed to a customer on the total number of access minutes. Rates for local switching are set forth in Section 13.2.

There are three types of functions included in the local switching rate element: common switching, line termination, and intercept. These are described in (a) through (c) following:

a. Common Switching

Common switching provides the local end office switching functions associated with access. The common switching arrangements provided for the various feature group arrangements are described in Section 6.3.

b. Line Termination

Line termination provides for the termination of end user lines in the local end office. There are two types of line terminations, i.e., common line terminations and special access service terminations utilized in the provision of WATS or WATS-type service.

c. Intercept

The intercept function provides for the termination of a call at a Company intercept operator or recording. The operator or recording tells a caller why a call, as dialed, could not be completed, and if possible, provides the correct number.

d. End Office Dedicated Trunk Port

Charges for End Office Dedicated Trunk Ports, located on the trunk side of the end office, recover costs to terminate direct trunks. End Office Dedicated Trunk Ports are a flat rate monthly charge as specified in 13-1.1 following, assessed to the customer purchasing the dedicated trunk terminated at that port

Tariff Advice 135-117

Issued to comply with Order No. 4 of the Regulatory Commission of Alaska in Docket No. U-13-188, dated April 22, 2014 Effective: February 20, 2015

Issued By: ACS OF FAIRBANKS, LLC

By: _____
Lisa Phillips

Title: Manager, Regulatory Affairs

ACS OF FAIRBANKS, LLC d/b/a ALASKA COMMUNICATIONS SYSTEMS,
ALASKA COMMUNICATIONS, ACS LOCAL SERVICE, AND ACS

ACCESS SERVICES

6. Switched Access Service (Cont'd)

6.2 Rate Categories (Cont'd)

B. End Office (Cont'd)

1. Local Switching (Cont'd)

e. End Office Shared Trunk Port

Charges for DS1 End Office Shared Trunk Ports, located on the trunk side of the end office, recover costs to terminate common trunks. End Office Shared Trunk Ports are per minute-of-use charges as specified in 13-1.1 following, assessed to the customer of shared transport trunks terminating at these ports.

2. Information Surcharge

Information surcharge rates are assessed to a customer based on the total number of access minutes. Information surcharge rates are set forth in Section 13.2.2.

Tariff Advice 135-117

Issued to comply with Order No. 4 of the Regulatory Commission of Alaska in Docket No. U-13-188, dated April 22, 2014 Effective: February 20, 2015

Issued By: ACS OF FAIRBANKS, LLC

By: _____
Lisa Phillips

Title: Manager, Regulatory Affairs

ACS OF FAIRBANKS, LLC d/b/a ALASKA COMMUNICATIONS SYSTEMS,
ALASKA COMMUNICATIONS, ACS LOCAL SERVICE, AND ACS

ACCESS SERVICES

6. Switched Access Service (Cont'd)

6.2 Rate Categories (Cont'd)

B. End Office (Cont'd)

2. Information Surcharge (Cont'd)

The number of end office switching transmission paths will be determined as set forth in Section 6.6.4.

C. Equal Access Recovery Charge

An equal access recovery charge ("EARC") is assessed for the provision of FGD switched access services at locations where equal access is available. The EARC is further described in Section 6.8.1.B.2.

D. 800 Data Base Access Service

800 data base access service is provided to all customers in conjunction with FGD switched access service. When a 1+800+NXX-XXXX call is originated by an end user, the Company will utilize the Signaling System 7 (SS7) network to query an 800 data base to identify the customer to whom the call will be delivered and provide vertical features based on the dialed ten digits. The call will then be routed to the identified customer over FGD switched access.

A basic or vertical feature query charge, as set forth in Section 13.2.2,F, is assessed for each query launched to the data base which identifies the customer to whom the call will be delivered. The basic query provides the identification of the customer to whom the call will be delivered. The vertical feature query provides this same customer identification function in addition to vertical features which may include:

1. Call validation (ensuring that calls originate from subscribed service areas);
2. POTS translation of 800 numbers;
3. alternate POTS translation (which allows subscribers to vary the routing of 800 calls based on factors such as time of day, place or origination of the call, etc.); and
4. multiple carrier routing [which allows subscribers to route to different carriers based on factors similar to those in (3).

The description and application of this charge with respect to FGD is set forth in Sections 6.3.3.C and 6.3.5.C.

Tariff Advice 135-117

Issued to comply with Order No. 4 of the Regulatory Commission of Alaska in Docket No. U-13-188, dated April 22, 2014 Effective: February 20, 2015

Issued By: ACS OF FAIRBANKS, LLC

By: _____
Lisa Phillips

Title: Manager, Regulatory Affairs

ACS OF FAIRBANKS, LLC d/b/a ALASKA COMMUNICATIONS SYSTEMS,
ALASKA COMMUNICATIONS, ACS LOCAL SERVICE, AND ACS

ACCESS SERVICES

6. Switched Access Service (Cont'd)

6.2 Rate Categories (Cont'd)

E. Interim NXX Translation

The interim NXX translation rate element provides for customer identification of non-data base services when calls are directed by end users in the 1+SAC+NXX-XXXX (e.g., 1+900+NXX-XXXX) format. The NXX codes are assigned to specific customers in conformance with the North American Numbering Plan (NANP). NXX code assignment(s) will be made by the NANP Coordinator. The Company will use the NXX code to identify the customer to whose point of termination the traffic is to be delivered, (i.e., at appropriately equipped electronic end offices, access tandems or through contracted arrangements with other parties.) It is then the responsibility of the customer to do any further translation the customer deems necessary to route the call. Customer assigned NXX codes that have not been ordered will be blocked.

A nonrecurring charge, as set forth in Section 13.2.1.F, is associated with this optional feature. This nonrecurring charge is assessed by the Company on a per order basis and is applied in lieu of the access order charge specified in Section 13.2.1.A. The Company is said to have provided the final Interim NXX Translation when its translation identifies the customer's traffic and this traffic is then delivered to the customer's point of termination without any further translation. The description and application of this charge with respect to FGD is as set forth in Sections 6.3.3.C.1 and 6.3.5.C.1.

6.3 Provision and Description of Switched Access Service Feature Groups

Switched access service is provided in four feature group arrangements.

The transport and end office rate categories described in Section 6.2 apply to all switched access service.

6.3.1 Feature Group A ("FGA")

A. Description

1. FGA switching is provided at all end office switches. At the option of the customer, FGA is provided on a single or multiple line group basis and is arranged for originating calling only, terminating calling only, or two-way calling which are specified by the customer's order for service.

Tariff Advice 135-117

Issued to comply with Order No. 4 of the Regulatory Commission of Alaska in Docket No. U-13-188, dated April 22, 2014 Effective: February 20, 2015

Issued By: ACS OF FAIRBANKS, LLC

By:

Lisa Phillips

Title: Manager, Regulatory Affairs

ACS OF FAIRBANKS, LLC d/b/a ALASKA COMMUNICATIONS SYSTEMS,
ALASKA COMMUNICATIONS, ACS LOCAL SERVICE, AND ACS

ACCESS SERVICES

6. Switched Access Service (Cont'd)

6.3 Provision and Description of Switched Access Service Feature Groups (Cont'd)

6.3.1 Feature Group A ("FGA") (Cont'd)

A. Description (Cont'd)

2. FGA provides a line side termination at the first point of switching (dial tone office). The line side termination will be provided with either ground start supervisory signaling or loop start supervisory signaling. The type of signaling is at the option of the customer.
3. A seven-digit telephone number assigned by the Company is provided for access to FGA switching in the originating direction. The seven-digit local telephone number will be associated with the selected end office switch and is of the form NXX-XXXX.

If the customer requests a specific seven digit telephone number that is not currently assigned, and the Company can, with reasonable effort, comply with the request, the requested number will be assigned to the customer.
4. FGA switching, when used in the terminating direction, is arranged with dial tone start-dial signaling. When used in the terminating direction, FGA switching may, at the option of the customer, be arranged for dial pulse or dual tone multi-frequency address signaling, subject to availability of equipment at the first point of switching. When FGA switching is provided in a hunt group or uniform call distribution arrangement, all FGA switching will be arranged for the same type of address signaling.
5. No address signaling is provided by the Company when FGA switching is used in the originating direction. Address signaling in such cases, if required by the customer, must be provided by the customer's end user using in-band tone address signaling techniques. Such in-band tone address signals will not be regenerated by the Company and will be subject to the ordinary transmission capabilities of the transport provided.

Tariff Advice 135-117

Issued to comply with Order No. 4 of the Regulatory Commission of Alaska in Docket No. U-13-188, dated April 22, 2014 Effective: February 20, 2015

Issued By: ACS OF FAIRBANKS, LLC

By: _____
Lisa Phillips

Title: Manager, Regulatory Affairs

ACS OF FAIRBANKS, LLC d/b/a ALASKA COMMUNICATIONS SYSTEMS,
ALASKA COMMUNICATIONS, ACS LOCAL SERVICE, AND ACS

ACCESS SERVICES

6. Switched Access Service (Cont'd)

6.3 Provision and Description of Switched Access Service Feature Groups (Cont'd)

6.3.1 Feature Group A ("FGA") (Cont'd)

A. Description (Cont'd)

- 6. FGA, when being used in the terminating direction, may be used to access valid NXXs in the local exchange area. For FGA the local exchange area is defined as the local calling area of the end office switch from which the FGA is provided. The description of any specific FGA is provided. The description of any specific FGA Area will be provided to the customer upon request.

Access is also provided to local operator service (0- and 0+), directory assistance (411 and 555-1212), emergency reporting service (911), information services (e.g., time and temperature), and IXC services (by dialing the appropriate digits). The customer will be billed for an operator surcharge as set forth in local or other tariffs, for local operator assistance (0-) calls; directory assistance (411 and 555-1212) calls; and customer call charges in accordance with other IXC tariffs in force when the Company performs the billing for such customer calls. FGA used for calls outside the FGA Access Area will be charged under applicable local and toll tariffs.

- 7. When a FGA switching arrangement for an individual customer (a single line or entire hunt group) is discontinued at an end office, an intercept announcement is provided.

This arrangement provides, for a limited period of time, an announcement that the service associated with the number dialed has been disconnected.

Tariff Advice 135-117

Issued to comply with Order No. 4 of the Regulatory Commission of Alaska in Docket No. U-13-188, dated April 22, 2014 Effective: February 20, 2015

Issued By: ACS OF FAIRBANKS, LLC

By: _____
Lisa Phillips

Title: Manager, Regulatory Affairs

ACS OF FAIRBANKS, LLC d/b/a ALASKA COMMUNICATIONS SYSTEMS,
ALASKA COMMUNICATIONS, ACS LOCAL SERVICE, AND ACS

ACCESS SERVICES

6. Switched Access Service (Cont'd)

6.3 Provision and Description of Switched Access Service Feature Groups (Cont'd)

6.3.1 Feature Group A ("FGA") (Cont'd)

A. Description (Cont'd)

8. Testing Capabilities

FGA is provided, in the terminating direction where equipment is available, with seven-digit access to balance (100 type) test line and milliwatt (102 type) test line. In addition to the tests that are included with the installation of service (acceptance testing) and as ongoing routine testing, additional cooperative acceptance testing, and additional manual testing are available as set forth in Section 9.3.1.

B. Optional Features

The following features are available in lieu of, or in addition to, the standard features provided with feature group A:

1. Common Switching Nonchargeable Optional Features

- a. Call denial on line or hunt group
- b. Service code denial on line or hunt group
- c. Hunt group arrangement
- d. Uniform call distribution arrangement
- e. Nonhunting number for use with hunt group or uniform call distribution arrangement
- f. Band advance arrangement for use with special access service utilized in the provision of WATS-type services
- g. Hunt group arrangement for use with special access service utilized in the provision of WATS-type services
- h. Uniform call distribution arrangement for use with special access service utilized in the provision of WATS-type services
- i. Nonhunting number associated with a hunt group arrangement or uniform call distribution arrangement for use with special access service utilized in the provision of WATS-type services

Tariff Advice 135-117

Issued to comply with Order No. 4 of the Regulatory Commission of Alaska in Docket No. U-13-188, dated April 22, 2014 Effective: February 20, 2015

Issued By: ACS OF FAIRBANKS, LLC

By: _____
Lisa Phillips

Title: Manager, Regulatory Affairs

ACS OF FAIRBANKS, LLC d/b/a ALASKA COMMUNICATIONS SYSTEMS,
ALASKA COMMUNICATIONS, ACS LOCAL SERVICE, AND ACS

ACCESS SERVICES

6. Switched Access Service (Cont'd)

6.3 Provision and Description of Switched Access Service Feature Groups (Cont'd)

6.3.1 Feature Group A ("FGA") (Cont'd)

B. Optional Features (Cont'd)

2. Transport Nonchargeable Optional Features

a. Customer Specification of local transport termination

1. Two-way operation with dial pulse address signaling and loop start supervisory signaling
2. Two-way operation with dial pulse address signaling and ground start supervisory signaling
3. Two-way operation with dial tone multi-frequency address signaling and loop start supervisory signaling
4. Two-way operation with dial tone multi-frequency address signaling and ground start supervisory signaling
5. Terminating operation with dial pulse address signaling and loop start supervisory signaling
6. Terminating operation with dial pulse address signaling and ground start supervisory signaling
7. Terminating operation with dual tone multi-frequency address signaling and loop start supervisory signaling
8. Terminating operation with dual tone multi-frequency address signaling and ground start supervisory signaling
9. Originating operation with loop start supervisory signaling
10. Originating operation with ground start supervisory signaling

b. Supervisory Signaling

c. Customer specified entry switch receive level, if such levels do not interfere with the Company network performance.

Tariff Advice 135-117

Issued to comply with Order No. 4 of the Regulatory Commission of Alaska in Docket No. U-13-188, dated April 22, 2014 Effective: February 20, 2015

Issued By: ACS OF FAIRBANKS, LLC

By: _____
Lisa Phillips

Title: Manager, Regulatory Affairs

ACS OF FAIRBANKS, LLC d/b/a ALASKA COMMUNICATIONS SYSTEMS,
ALASKA COMMUNICATIONS, ACS LOCAL SERVICE, AND ACS

ACCESS SERVICES

6. Switched Access Service (Cont'd)

6.3 Provision and Description of Switched Access Service Feature Groups (Cont'd)

6.3.1 Feature Group A ("FGA") (Cont'd)

B. Optional Features (Cont'd)

3. Feature Availability is based on current technology.
4. Optional Features Provided in Local Tariffs

Certain other features that may be available in connection with FGA (e.g., custom calling features) are provided under the Company's local exchange service tariff.

6.3.2 Feature Group B ("FGB")

A. Description

1. FGB, when directly routed to an end office (i.e., provided without the use of an access tandem switch), is provided at appropriately equipped Company electronic end office switches. When provided via Company designated electronic access tandem switches, FGB switching is provided at Company electronic and electromechanical end office switches.
2. FGB is provided as trunk side switching through the use of end office or access tandem switch trunk equipment. The switch trunk equipment is provided with wink start start-pulsing signals and answer and disconnect supervisory signaling.
3. FGB switching is provided with multi-frequency address signaling in both the originating and terminating directions, when available. Except for FGB switching provided with automatic number identification ("ANI") or rotary dial station signaling arrangements as set forth in Section 6.3.2.B, any other address signaling in the originating direction, if required by the customer, must be provided by the customer's end user using in-band tone address signaling techniques. Such in-band tone address signals will not be regenerated by the Company and will be subject to the ordinary transmission capabilities of the transport provided.

Tariff Advice 135-117

Issued to comply with Order No. 4 of the Regulatory Commission of Alaska in Docket No. U-13-188, dated April 22, 2014 Effective: February 20, 2015

Issued By: ACS OF FAIRBANKS, LLC

By:

Lisa Phillips

Title: Manager, Regulatory Affairs

ACS OF FAIRBANKS, LLC d/b/a ALASKA COMMUNICATIONS SYSTEMS,
ALASKA COMMUNICATIONS, ACS LOCAL SERVICE, AND ACS

ACCESS SERVICES

6. Switched Access Service (Cont'd)

6.3 Provision and Description of Switched Access Service Feature Groups (Cont'd)

6.3.2 Feature Group B ("FGB") (Cont'd)

A. Description (Cont'd)

4. The access code for FGB switching is a uniform access code. The form of the uniform access code is 950-1XXX or 950-0XXX for carriers. These uniform access codes will be the assigned access numbers of all FGB switched access service provided to the customer by the Company.
5. FGB switching, when used in the terminating direction, may be used to access valid telephone numbers in the local exchange area of the terminating end office switch. The customer will also be billed additional non-access charges for calls to certain community information services for which rates are applicable when the Company performs billing for such services.

Additionally, non-access charges will also be billed for calls from a FGB trunk to another customer's service in accordance with that customer's applicable service rates when the Company performs the billing functions for that customer. Calls in the terminating direction will not be completed to 950-1XXX or 950-0XXX access codes, local operator assistance (0- and 0+), Directory Assistance (411 or 555-1212), service code 911 or other 950-1XXX or 950-0XXX access codes. Calls will not be completed to Directory Assistance (NPA-555-1212 or 555-1212). FGB may not be switched, in the terminating direction (i.e., from the access tandem to the end office), to FGA, FGB, or FGD switched access service feature groups.

6. The Company will establish a trunk group or groups for the customer at end office switches or access tandem switches where FGB switching is provided. When required by technical limitations, a separate trunk group will be established for each type of FGB switching arrangement provided. Different types of FGB or other switching arrangements may be combined in a single trunk group at the option of the Company.

Tariff Advice 135-117

Issued to comply with Order No. 4 of the Regulatory Commission of Alaska in Docket No. U-13-188, dated April 22, 2014 Effective: February 20, 2015

Issued By: ACS OF FAIRBANKS, LLC

By: _____
Lisa Phillips

Title: Manager, Regulatory Affairs

ACS OF FAIRBANKS, LLC d/b/a ALASKA COMMUNICATIONS SYSTEMS,
ALASKA COMMUNICATIONS, ACS LOCAL SERVICE, AND ACS

ACCESS SERVICES

6. Switched Access Service (Cont'd)

6.3 Provision and Description of Switched Access Service Feature Groups (Cont'd)

6.3.2 Feature Group B ("FGB") (Cont'd)

B. Optional Features

1. Common Switching Nonchargeable Optional Features

- a. Automatic Number Identification (ANI)
- b. Up to 7 Digit Outpulsing of Access Digits to Customer

2. Transport Nonchargeable Optional Features

- a. Rotary Dial Station Signaling
- b. Customer Specification of Local Transport Termination
- c. Supervisory Signaling
- d. Customer Specified Entry Switch Receive Level, if such levels do not interfere with Company network performance.

C. Transmission Specifications

FGB is provided with either type B or type C transmission specifications. The specifications for the associated parameters are guaranteed to the end office when routed directly or to the first point of switching when routed via an access tandem. Type C transmission specifications are provided with interface group 1 and type B is provided with interface groups 2 through 10. Type DB data transmission parameters are provided with FGB to the first point of switching.

Tariff Advice 135-117

Issued to comply with Order No. 4 of the Regulatory Commission of Alaska in Docket No. U-13-188, dated April 22, 2014 Effective: February 20, 2015

Issued By: ACS OF FAIRBANKS, LLC

By: _____
Lisa Phillips

Title: Manager, Regulatory Affairs

ACS OF FAIRBANKS, LLC d/b/a ALASKA COMMUNICATIONS SYSTEMS,
ALASKA COMMUNICATIONS, ACS LOCAL SERVICE, AND ACS

ACCESS SERVICES

6. Switched Access Service (Cont'd)

6.3 Provision and Description of Switched Access Service Feature Groups (Cont'd)

6.3.2 Feature Group B ("FGB") (Cont'd)

D. Testing Capabilities

FGB is provided, in the terminating direction where equipment is available, with seven digit access to balance (100 type) test line, milliwatt (102 type) test line, nonsynchronous or synchronous test line, automatic transmission measuring (105 type) test line, data transmission (107 type) test line, loop around test line, short circuit test line and open circuit test line. Additional Automatic Testing, and Additional Manual Testing are available as set forth in Section 9.3.1.

E. Design and Traffic Routing

For FGB, the trunk directionality and traffic routing of the switched access service between the customer designated premises and the entry switch are determined by the customer's order for service; except that the determining of traffic routing through a centralized equal access arrangement can only occur by mutual agreement between the Company and the customer, subject to Commission approval. Those Company offices providing equal access through centralized arrangements are identified in National Exchange Carrier Association, Inc. Tariff FCC No. 4. Additionally, the customer may order the optional feature customer specification of transport termination as set forth in Section 11.

Tariff Advice 135-117

Issued to comply with Order No. 4 of the Regulatory Commission of Alaska in Docket No. U-13-188, dated April 22, 2014 Effective: February 20, 2015

Issued By: ACS OF FAIRBANKS, LLC

By: _____
Lisa Phillips

Title: Manager, Regulatory Affairs

ACS OF FAIRBANKS, LLC d/b/a ALASKA COMMUNICATIONS SYSTEMS,
ALASKA COMMUNICATIONS, ACS LOCAL SERVICE, AND ACS

ACCESS SERVICES

6. Switched Access Service (Cont'd)

6.3 Provision and Description of Switched Access Service Feature Groups (Cont'd)

6.3.3 Feature Group D ("FGD")

A. Description

1. FGD is provided at Company designated end office switches whether routed directly or via Company designated electronic access tandem switches. Those Company offices providing equal access through centralized arrangements are identified in National Exchange Carrier Association, Inc. Tariff FCC No. 4.
2. FGD is provided as trunk side switching through the use of end office or access tandem switch trunk equipment. The switch trunk equipment is provided with wink start start-pulsing signals and answer and disconnect supervisory signaling.
3. FGD switching is provided with multi-frequency address signaling. Up to 12 digits of the called party number dialed by the customer's end user using dual tone multi-frequency or dial pulse address signals will be provided by Company equipment to the customer's premises where the switched access service terminates. Such address signals will be subject to the ordinary transmission capabilities of the transport provided.
4. FGD switching, when used in the terminating direction, may be used to access valid telephone numbers in the local exchange area of the terminating end office switch.

Additionally, non-access charges will also be billed for calls from FGD trunk to another customer's service in accordance with that customer's applicable service rates when the Company performs the billing function for that customer. Calls in the terminating direction will not be completed to 950-1XXX or 950-0XXX access codes, local operator assistance (0- and 0+), Directory Assistance (411 and 555-1212), service code 911 and 10XXX access codes. Calls will be completed to Directory Assistance (NPA-555-1212 or 555-1212) when FGD switching is combined with Directory Assistance switching.

Tariff Advice 135-117

Issued to comply with Order No. 4 of the Regulatory Commission of Alaska in Docket No. U-13-188, dated April 22, 2014 Effective: February 20, 2015

Issued By: ACS OF FAIRBANKS, LLC

By: _____
Lisa Phillips

Title: Manager, Regulatory Affairs

ACS OF FAIRBANKS, LLC d/b/a ALASKA COMMUNICATIONS SYSTEMS,
ALASKA COMMUNICATIONS, ACS LOCAL SERVICE, AND ACS

ACCESS SERVICES

6. Switched Access Service (Cont'd)

6.3 Provision and Description of Switched Access Service Feature Groups (Cont'd)

6.3.3 Feature Group D ("FGD") (Cont'd)

A. Description (Cont'd)

5. The Company will establish a trunk group or groups for the customer at end office switches or access tandem switches where FGD switching is provided.

When required by technical limitations, a separate trunk group will be established for each type of FGD switching arrangement provided. Different types of FGD or other switching arrangements may be combined in a single trunk group at the option of the Company.

6. The access code for FGD switching is a uniform access code of the form 10XXX. A uniform access code will be the assigned number of all FGD access provided to the customer by the Company. No access code is required for calls to a customer over FGD switched access service if the end user's telephone exchange service is arranged for presubscription to that customer.

Where no access code is required, the number dialed by the customer's end user shall be a seven or ten digit number for calls in the North American Numbering Plan ("NANP"). For international calls outside the NANP, a seven to twelve digit number may be dialed. The form of the numbers dialed by the customer's end user is NXX-XXXX, 0 or 1 + NXX-XXXX, NPA + NXX-XXXX, 0 or 1 + NPA + NXX-XXXX, and, when the end office is equipped for international direct distance dialing ("IDDD").

When the 10XXX access code is used, FGD switching also provides for dialing the digit 0 for access to the customer's operator, 911 for access to the Company's emergency reporting service, or the end-of-dialing digit (#) for cut-through access to the customer's premises.

7. FGD switching will be arranged to accept calls from telephone exchange service locations without the need for dialing 10XXX uniform access code.

Tariff Advice 135-117

Issued to comply with Order No. 4 of the Regulatory Commission of Alaska in Docket No. U-13-188, dated April 22, 2014 Effective: February 20, 2015

Issued By: ACS OF FAIRBANKS, LLC

By: _____
Lisa Phillips

Title: Manager, Regulatory Affairs

ACS OF FAIRBANKS, LLC d/b/a ALASKA COMMUNICATIONS SYSTEMS,
ALASKA COMMUNICATIONS, ACS LOCAL SERVICE, AND ACS

ACCESS SERVICES

6. Switched Access Service (Cont'd)

6.3 Provision and Description of Switched Access Service Feature Groups (Cont'd)

6.3.3 Feature Group D (FGD) (Cont'd)

A. Description (Cont'd)

8. Unless prohibited by technical limitations, the customer's interim NXX and/or 800 data base traffic may, at the option of the customer, be combined in the same trunk group arrangement with the customer's non-interim NXX and/or 800 data base traffic. When required by technical limitations, or at the request of the customer, a separate trunk group will be established for Interim NXX and/or 800 data base traffic.
9. When a customer has had FGB access in an end office and subsequently replaces the FGB access with FGD access, at the mutual agreement of the customer and the Company, the Company will direct calls dialed by the customer's end users using the customer's previous FGB access code to the customer's FGD access service. The customer must be prepared to handle normally dialed FGD calls, as well as calls dialed with the FGB access code which requires the customer to receive additional address signaling from the end user. Such calls will be rated as FGD. The Company may, with 90 days' written notice to the customer, discontinue this arrangement.

B. Nonchargeable Optional Features

1. Common Switching Optional Features

- a. Automatic Number Identification ("ANI")
- b. Service Class Routing
- c. Alternate Traffic Routing
- d. Call Gapping Arrangement
- e. Trunk Access Limitation
- f. Digital Switched 56 Service

Tariff Advice 135-117

Issued to comply with Order No. 4 of the Regulatory Commission of
Alaska in Docket No. U-13-188, dated April 22, 2014

Effective: February 20, 2015

Issued By: ACS OF FAIRBANKS, LLC

By: _____
Lisa Phillips

Title: Manager, Regulatory Affairs

ACS OF FAIRBANKS, LLC d/b/a ALASKA COMMUNICATIONS SYSTEMS,
ALASKA COMMUNICATIONS, ACS LOCAL SERVICE, AND ACS

ACCESS SERVICES

6. Switched Access Service (Cont'd)

6.3 Provision and Description of Switched Access Service Feature Groups (Cont'd)

6.3.3 Feature Group D ("FGD") (Cont'd)

2. Optional Nonchargeable Transport Features

- a. Operator Trunk, Full Feature Arrangement
- b. Supervisory Signaling

C. Chargeable Optional Features

- 1. Interim NXX Translation
- 2. 800 Data Base Service

D. Transmission Specifications

FGD is provided with either type A, type B, or type C transmission specifications as follows:

- When routed directly to the end office, either type B or C is provided.
- When routed to an access tandem, only type A is provided.
- Type A is provided on the transmission path from the access tandem to the end office.

Type C transmission specifications are provided with interface group A. Type A and type B transmission specifications are provided with interface groups 2 through 10.

Type DA data transmission parameters are provided for the transmission path between the customer's premises and the access tandem and between the access tandem and the end office. Type DB data transmission parameters are provided with FGD for the transmission path between the customer's premises and the end office when directly routed to the end office.

Tariff Advice 135-117

Issued to comply with Order No. 4 of the Regulatory Commission of Alaska in Docket No. U-13-188, dated April 22, 2014 Effective: February 20, 2015

Issued By: ACS OF FAIRBANKS, LLC

By: _____
Lisa Phillips

Title: Manager, Regulatory Affairs

ACS OF FAIRBANKS, LLC d/b/a ALASKA COMMUNICATIONS SYSTEMS,
ALASKA COMMUNICATIONS, ACS LOCAL SERVICE, AND ACS

ACCESS SERVICES

6. Switched Access Service (Cont'd)

6.3 Provision and Description of Switched Access Service Feature Groups (Cont'd)

6.3.3 Feature Group D ("FGD") (Cont'd)

E. Testing Capabilities

FGD is provided in the terminating direction, where equipment is available, with seven digit access to balance (100 type) test line, milliwatt (102 type) test line, nonsynchronous or synchronous test line, automatic transmission measuring (105 type) test line, data transmission (107 type) test line, loop around test line, short circuit test line and open circuit test line. Additional Cooperative Acceptance Testing, Additional Automatic Testing and Additional Manual Testing are available as set forth in Section 9.3.1.

F. Design and Traffic Routing

The proposed selection of facilities and equipment and traffic routing of the service are based on standard engineering methods, available facilities and equipment, and the Company traffic routing plans. The Company will work cooperatively with the customer in determining the directionality of the service. The Company and the customer will mutually agree to the first point of switching (for example whether the service is to be routed directly to an end office or through an access tandem switch), except that the determination of traffic routing through a centralized equal access arrangement can only occur subject to Commission approval. Those Company offices providing equal access through centralized arrangement are identified in National Exchange Carrier Association, Inc. Tariff FCC No. 4.

Tariff Advice 135-117

Issued to comply with Order No. 4 of the Regulatory Commission of Alaska in Docket No. U-13-188, dated April 22, 2014 Effective: February 20, 2015

Issued By: ACS OF FAIRBANKS, LLC

By: _____
Lisa Phillips

Title: Manager, Regulatory Affairs

ACS OF FAIRBANKS, LLC d/b/a ALASKA COMMUNICATIONS SYSTEMS,
ALASKA COMMUNICATIONS, ACS LOCAL SERVICE, AND ACS

ACCESS SERVICES

6. Switched Access Service (Cont'd)

6.4 WATS Access Line

A WATS access line may, at the option of the customer, be provided for use with switched access service. A WATS access line provides a connection between a customer's designated end user's premises and a Company end office switch capable of performing the necessary switching functions for 800 Service, WATS, or similar services, and is provided only for use at the closed end of such service.

WATS access lines are provided as either an effective two-wire or effective four-wire transmission path. Each transmission path is provided with Standard Transmission Specifications and Data Transmission Parameters as set forth in Section 11.1.2 and 11.1.3. At the option of the customer, the WATS access line may be ordered with the Improved Two-Wire Voice Transmission Specifications.

6.5 Transmission Specifications

Each switched access service transmission path is provided with standard transmission specifications. There are two different standard specifications (types B and C). The standard for a particular transmission path is dependent on the feature group, the interface group and whether the service is directly routed or via an access tandem. In addition, the WATS access line is provided with standard transmission specifications for two-wire and four-wire. The available transmission specifications are set forth in Section 11.2.1. Data Transmission Parameters are also provided with each switched access service transmission path and WATS access line. The Company will, upon notification by the customer that the data parameters set forth in Section 11.2.2 are not being met, conduct tests independently or in cooperation with the customer, and take any necessary action to insure that the data parameters are met.

In addition, the WATS access line may be optionally provided with Improved Two-Wire Voice Transmission Specifications as set forth in Section 11.2.1.

Tariff Advice 135-117

Issued to comply with Order No. 4 of the Regulatory Commission of Alaska in Docket No. U-13-188, dated April 22, 2014 Effective: February 20, 2015

Issued By: ACS OF FAIRBANKS, LLC

By:

Lisa Phillips

Title: Manager, Regulatory Affairs

ACS OF FAIRBANKS, LLC d/b/a ALASKA COMMUNICATIONS SYSTEMS,
ALASKA COMMUNICATIONS, ACS LOCAL SERVICE, AND ACS

ACCESS SERVICES

6. Switched Access Service (Cont'd)

6.5 Transmission Specifications (Cont'd)

The transmission specifications concerning switched access service are immediate action limits and are set forth in Section 11.2. Acceptance limits are set forth in Technical Reference NPL 000334. This Technical Reference also provides the basis for determining switched access service maintenance limits.

Type C Transmission Specifications are provided with interface group 1 when routed directly to an end office. Type B is provided with interface groups 2 through 10, whether routed directly to an end office or to an access tandem.

6.6 Obligation of the Company

In addition to the obligations of the Company set forth in Section 2, the Company has certain other obligations pertaining only to the provision of switched access service. These obligations pertaining only to the provision of switched access service. These obligations are as follows:

Tariff Advice 135-117

Issued to comply with Order No. 4 of the Regulatory Commission of Alaska in Docket No. U-13-188, dated April 22, 2014 Effective: February 20, 2015

Issued By: ACS OF FAIRBANKS, LLC

By: _____
Lisa Phillips

Title: Manager, Regulatory Affairs

ACS OF FAIRBANKS, LLC d/b/a ALASKA COMMUNICATIONS SYSTEMS,
ALASKA COMMUNICATIONS, ACS LOCAL SERVICE, AND ACS

ACCESS SERVICES

6. Switched Access Service (Cont'd)

6.6 Obligation of the Company (Cont'd)

6.6.1 Network Management

The Company will administer its network to insure the provision of acceptable service levels to all telecommunications users of the Company's network services. Generally, service levels are considered acceptable only when both end users and customers are able to establish connections with little or no delay encountered within the Company network. The Company maintains the right to apply protective controls, i.e., those actions, which selectively cancel the completion of traffic, over any traffic carried over its network, including that associated with a customer's switched access service. Generally, such protective measures would only be taken as a result of occurrences such as failure or overload of Company or customer facilities, natural disasters, mass calling or national security demands.

6.6.2 Provision of Service Performance Data

Subject to availability, end-to-end service performance data available to the Company through its own service evaluation routines, may be made available to the customer based on previously arranged intervals and format. These data provide information on overall end-to-end call completion and non-completion performance. These data do not include service performance data provided under other tariff sections, e.g., testing service results. The charges for provision of this data will be determined on an individual case basis.

6.6.3 Trunk Group Measurement Reports

Subject to availability, the Company will make available trunk group data in the form of usage in CCS, peg count and overflow, to the customer based on previously agreed to intervals.

6.6.4 Determination of Number of Transmission Paths

For feature groups A and B, which are ordered on a per line or per trunk basis respectively, and feature group D when ordered on a per trunk basis, the customer specifies the number of transmission paths in order for service or may order by BHMC. The Company and the IXC will mutually agree on the number of trunks.

6.6.5 Design Blocking Measurement

The Company will design the facilities used in the provision of switched access service to meet the blocking probability criteria as set forth in Section 6.6.5.

Tariff Advice 135-117

Issued to comply with Order No. 4 of the Regulatory Commission of Alaska in Docket No. U-13-188, dated April 22, 2014 Effective: February 20, 2015

Issued By: ACS OF FAIRBANKS, LLC

By:

Lisa Phillips

Title: Manager, Regulatory Affairs

ACS OF FAIRBANKS, LLC d/b/a ALASKA COMMUNICATIONS SYSTEMS,
 ALASKA COMMUNICATIONS, ACS LOCAL SERVICE, AND ACS

ACCESS SERVICES

6. Switched Access Service (Cont'd)

6.6 Obligation of the Company (Cont'd)

6.6.5 Design Blocking Measurement (Cont'd)

- A. For feature groups B and D the design blocking objective will be no greater than one percent (.01) between the point of termination at the customer's designated premises and the end office switch, whether the traffic is directly routed without an alternate route or routed via an access tandem. Standard traffic engineering methods as set forth in reference document Telecommunications Transmission Engineering - Volume 3 - Networks and Services (Chapters 6-7) will be used by the Company to determine the number of transmission paths required to achieve this level of blocking.
- B. The Company will perform routine measurement functions to assure that an adequate number of transmission paths are in service. The Company will recommend that additional capacity (i.e., busy hour minutes of capacity) be ordered by the customer when additional paths are required to reduce the measured blocking to the designed blocking level. For the capacity ordered, the design blocking objective is assumed to have been met if the routine measurements show that the measured blocking does not exceed the threshold listed in the following tables.
 - 1. For transmission paths carrying only first routed traffic direct between an end office and customer's designated premises without an alternate route, and for paths carrying only overflow traffic, the measured blocking thresholds are as follows:

| Number of Transmission Paths Per Trunk Group | Measured Blocking Thresholds in the Time Consistent Busy Hour for the Number of Measurements Taken Between 8:00 a.m. and 11:00 p.m. Per Trunk Group | | | |
|--|---|-----------------------|----------------------|---------------------|
| | 15-20 Measurements | 11-14 Measurements | 7-10 Measurements | 3-6 Measurements |
| 2 | .070 | .080 | .090 | .140 |
| 3 | .050 | .060 | .070 | .090 |
| 4 | .050 | .060 | .070 | .080 |
| 5-6 | .040 | .050 | .060 | .070 |
| 7 or more | .030 | .035 | .040 | .060 |

Tariff Advice 135-117

Issued to comply with Order No. 4 of the Regulatory Commission of Alaska in Docket No. U-13-188, dated April 22, 2014 Effective: February 20, 2015

Issued By: ACS OF FAIRBANKS, LLC

By: _____
 Lisa Phillips

Title: Manager, Regulatory Affairs

ACS OF FAIRBANKS, LLC d/b/a ALASKA COMMUNICATIONS SYSTEMS,
 ALASKA COMMUNICATIONS, ACS LOCAL SERVICE, AND ACS

ACCESS SERVICES

6. Switched Access Service (Cont'd)

6.6 Obligation of the Company (Cont'd)

6.6.5 Design Blocking Measurement (Cont'd)

2. For transmission paths carrying first routed traffic between an end office and customer's premises via an access tandem, the measured blocking thresholds are as follows:

| Number of Transmission Paths | Measured Blocking Thresholds in the Time Consistent Busy Hour for the Number of Measurements Taken Between 8:00 a.m. and 11:00 p.m. Per Trunk Group | | | |
|------------------------------------|---|-----------------------|----------------------|---------------------|
| | 15-20 Measurements | 11-14 Measurements | 7-10 Measurements | 3-6 Measurements |
| Per Trunk Group | | | | |
| 2 | .045 | .055 | .060 | .095 |
| 3 | .035 | .040 | .045 | .060 |
| 4 | .035 | .0340 | .045 | .055 |
| 5-6 | .025 | .035 | .040 | .045 |
| 7 or more | .020 | .025 | .030 | .040 |

6.6.6 Design Layout Report

At the request of the customer, the Company will provide to the customer the makeup of the facilities and services provided from the customer's premises to the first point of switching. This information will be provided in the form of a Design Layout Report. Design Layout Reports will also be provided for WATS access lines when specifically requested by the customer. The Design Layout Report will be provided to the customer at no charge, and will be reissued or updated, upon request of the customer, when these facilities are materially changed.

Tariff Advice 135-117

Issued to comply with Order No. 4 of the Regulatory Commission of Alaska in Docket No. U-13-188, dated April 22, 2014 Effective: February 20, 2015

Issued By: ACS OF FAIRBANKS, LLC

By: _____
 Lisa Phillips

Title: Manager, Regulatory Affairs

ACS OF FAIRBANKS, LLC d/b/a ALASKA COMMUNICATIONS SYSTEMS,
ALASKA COMMUNICATIONS, ACS LOCAL SERVICE, AND ACS

ACCESS SERVICES

6. Switched Access Service (Cont'd)

6.6 Obligation of the Company (Cont'd)

6.6.7 Testing

A. Acceptance Testing.

At no additional charge the Company will, at the customer's request, cooperatively test at the time of installation, the following parameters: loss, C-notched noise, C-message noise, 3-tone slope, d.c. continuity and operational signaling. When the local transport is provided with interface groups 2 through 10, and the transport termination is two-wire (i.e., there is a four-wire to two-wire conversion in local transport), balance parameters (equal level echo path loss) may also be tested.

B. Routine Testing

At no additional charge, the Company will, at the customer's request, test after installation on an automatic or manual basis, 1004 Hz loss, C-message noise and Balance (Return loss).

In the case of automatic testing, the customer shall provide remote office test lines and 105 test lines with associated responders or their functional equivalent.

The frequency of these tests will be that which is mutually agreed upon by the customer and the Company, but shall consist of not less than quarterly 1004 Hz Loss and C-message noise tests and an annual balance test. Trunk test failures requiring customer participation for trouble resolution will be provided to the customer on an as-occurs basis.

Additional tests may be ordered as set forth in Section 9.3.1. Charges for these additional tests are set forth in Section 13.

6.7 Obligations of the Customer

In addition to the obligations of the customer set forth in Section 2.3, the customer has certain specific obligations pertaining to the use of switched access service. These obligations are as follows:

6.7.1 Supervisory Signaling

The customer's facilities shall provide the necessary on-hook, off-hook, answer and disconnect supervision.

Tariff Advice 135-117
Issued to comply with Order No. 4 of the Regulatory Commission of Alaska in Docket No. U-13-188, dated April 22, 2014 Effective: February 20, 2015

Issued By: ACS OF FAIRBANKS, LLC

By: _____
Lisa Phillips

Title: Manager, Regulatory Affairs

ACS OF FAIRBANKS, LLC d/b/a ALASKA COMMUNICATIONS SYSTEMS,
ALASKA COMMUNICATIONS, ACS LOCAL SERVICE, AND ACS

ACCESS SERVICES

6. Switched Access Service (Cont'd)

6.7 Obligations of the Customer (Cont'd)

6.7.2 Trunk Group Measurement Reports

With the agreement of the customer, trunk group data in the form of usage in CCS, peg count and overflow for its end of all access trunk groups, where technologically feasible, will be made available to the Company. These data will be used to monitor trunk group utilization and service performance and will be provided based on previously arranged intervals and format.

6.8 Rate Regulations

This section contains the specific regulations governing the rates and charges that apply for switched access service.

6.8.1 Application of Rates and Charges

A. Nonrecurring Charges

Nonrecurring charges are one-time charges that apply for a specific work activity (i.e., installation or change to an existing service). The types of nonrecurring charges that apply for switched access service are installation of service, Interim NXX Translation optional feature, and service rearrangements. These charges, with the exception of the Interim NXX Translation optional feature, are in addition to the access order charge.

1. Installation of Service

Nonrecurring charges apply to each switched access service installed. For FGA, which is ordered on a per line basis, and for FGB and FGD, which is ordered on a per trunk basis, the charge is applied on a per line or trunk basis respectively. For FGD, that are ordered on a busy hour minutes of capacity basis, the charge is also applied on a per trunk basis but the charge applies only when the capacity ordered requires the installation or activation of an additional trunk which is uniquely identified for the sole use of the ordering customer.

Tariff Advice 135-117

Issued to comply with Order No. 4 of the Regulatory Commission of Alaska in Docket No. U-13-188, dated April 22, 2014 Effective: February 20, 2015

Issued By: ACS OF FAIRBANKS, LLC

By: _____
Lisa Phillips

Title: Manager, Regulatory Affairs

ACS OF FAIRBANKS, LLC d/b/a ALASKA COMMUNICATIONS SYSTEMS,
ALASKA COMMUNICATIONS, ACS LOCAL SERVICE, AND ACS

ACCESS SERVICES

6. Switched Access Service (Cont'd)

6.8 Rate Regulations (Cont'd)

6.8.1 Application of Rates and Charges (Cont'd)

A. Nonrecurring Charges (Cont'd)

2. Interim NXX Translation Optional Feature

This nonrecurring charge applies to the initial order for the installation of the interim NXX translation optional feature with feature group D switched access service and for each subsequent order received to add or change NXX translation codes. This charge applies whether this optional feature is installed coincident with or at any time subsequent to the installation of switched access services.

3. Service Rearrangements

All changes to existing services other than changes involving administrative activities and the off-hook supervisory signaling of FGA access services, will be treated as a discontinuance of the existing service and an installation of a new service. The nonrecurring charge described in Section 6.8.1.A.1 will apply for this work activity. Moves that change the physical location of the point of termination are described and charged for as set forth in Section 6.8.1.

- If, due to technical limitations of the Company, a customer could not combine its Interim NXX traffic with its other trunk side switched access service, no charge shall apply to combine these trunk groups when it becomes technically possible.

The following administrative changes will be made without charge:

- Change of customer name,
- Change of customer or customer's end user premises address when the change of address is not a result of physical relocation of equipment, -
- Change in billing data (name, address, or contact name or telephone number),
- Change of agency authorization,
- Change of customer circuit identification,
- Change of billing account number,
- Change of customer test line number,
- Change of customer or customer's end user contact name or telephone number, and
- Change of jurisdiction.

Tariff Advice 135-117

Issued to comply with Order No. 4 of the Regulatory Commission of Alaska in Docket No. U-13-188, dated April 22, 2014 Effective: February 20, 2015

Issued By: ACS OF FAIRBANKS, LLC

By: _____
Lisa Phillips

Title: Manager, Regulatory Affairs

ACS OF FAIRBANKS, LLC d/b/a ALASKA COMMUNICATIONS SYSTEMS,
ALASKA COMMUNICATIONS, ACS LOCAL SERVICE, AND ACS

ACCESS SERVICES

6. Switched Access Service (Cont'd)

6.8 Rate Regulations (Cont'd)

6.8.1 Application of Rates and Charges (Cont'd)

A. Nonrecurring Charges (Cont'd)

3. Service Rearrangements (Cont'd)

Changes and additions to existing switched access services which are necessary due to Company initiated network reconfigurations, and required to provide the same grade of service to the customer that existed prior to the reconfiguration, will be made without charge to the customer.

B. Moves

A move involves a change in the physical location of one of the following:

- The point of termination at the customer's premises
- The customer's premises

The charges for the move are dependent on whether the move is to a new location within the same building or to a different building.

1. Moves Within the Same Building

When the move is to a new location within the same building, the charge for the move will be an amount equal to one half of the nonrecurring charge for the capacity affected. There will be no change in the minimum period requirements.

2. Moves to a Different Building

Moves to a different building will be treated as a discontinuance and start of service and all associated nonrecurring charges will apply. New minimum period requirements will be established for the new service. The customer will also remain responsible for satisfying all outstanding minimum period charges for the discontinued service.

Tariff Advice 135-117

Issued to comply with Order No. 4 of the Regulatory Commission of Alaska in Docket No. U-13-188, dated April 22, 2014 Effective: February 20, 2015

Issued By: ACS OF FAIRBANKS, LLC

By: _____ Title: Manager, Regulatory Affairs
Lisa Phillips

ACS OF FAIRBANKS, LLC d/b/a ALASKA COMMUNICATIONS SYSTEMS,
ALASKA COMMUNICATIONS, ACS LOCAL SERVICE, AND ACS

ACCESS SERVICES

6. Switched Access Service (Cont'd)

6.8 Rate Regulations (Cont'd)

6.8.1 Application of Rates and Charges (Cont'd)

C. Recurring Charges

1. Access

With the exception of the Equal Access Recovery Charge, all recurring rates as set forth in Section 13 apply to all feature groups A, B, and D switched access services. Customer usage will be accumulated for billing on a monthly basis, or another period. The Company will notify the customer if billing is to occur on a basis other than monthly.

2. Equal Access Recovery Charge ("EARC")

The Equal Access Recovery Charge is a monthly charge assessed to customers who obtain feature group D switched access service. Application of this charge is based upon the total number of presubscribed equal access lines.

6.8.2 Carrier Common Line is set forth in Section 3.

6.8.3 Measuring Access Minutes

Desired priority of the traffic sensitive minute volume source is as follows:

1. Measurement by the Company

2. Measurement by the Interexchange Carrier as reported to and acceptable to the Company

3. Assumed minutes as listed in Section 13.2.5 or an estimate by the Company based on previously known volumes.

Tariff Advice 135-117

Issued to comply with Order No. 4 of the Regulatory Commission of
Alaska in Docket No. U-13-188, dated April 22, 2014

Effective: February 20, 2015

Issued By: ACS OF FAIRBANKS, LLC

By: _____

Lisa Phillips

Title: Manager, Regulatory Affairs

ACS OF FAIRBANKS, LLC d/b/a ALASKA COMMUNICATIONS SYSTEMS,
ALASKA COMMUNICATIONS, ACS LOCAL SERVICE, AND ACS

ACCESS SERVICES

6. Switched Access Service (Cont'd)

6.8 Rate Regulations (Cont'd)

6.8.3 Measuring Access Minutes (Cont'd)

A. Feature Group A

Customer FGA traffic to end offices will be measured (i.e., recorded) or assumed by the Company at end office switches. Originating and terminating calls; will be measured (i.e., recorded) or assumed by the Company to determine the basis for computing chargeable access minutes. In the event the Customer message detail is not available from the Company, the Company will obtain the volume of access minutes from the IXC, use assumed minutes as listed in Section 13.2.5, or use an estimate based on previously known volumes. The priority as set forth above will be used in selecting the method.

For terminating calls over FGA and for originating calls over FGA (when the off-hook supervisory signal is provided by the Customer's equipment before the called party answers), the measured minutes are the chargeable access minutes. For originating calls over FGA (when the off-hook supervisory signal is forwarded by the customer's equipment when the called party answers), chargeable originating access minutes are derived from the measured minute records in the following manner:

Step 1: For each major call type (e.g. DDD, Operator Handled, 800, Directory Assistance, etc) obtain the measured originating messages and conversation minutes from the appropriate traffic data recording sources.

Step 2: For each call type, develop the total originating attempts using the originating measured messages from Step 1, and applying an attempts per message factor obtained either from a study specific to the Company or from a study based upon an industry wide sample. The attempts per message factor study is an analysis, by major call type, of the completion rate of the total attempts which receive acknowledgement from the customer.

Step 3: For each call type, develop the Non-Conversation Time Additive ("NCTA") by applying a Non-Conversation Time per Attempt factor obtained from company specific or industry study (referred to in Step 2) to the Total Originating Attempts determined in Step 2. The NCTA per Attempt Ratio is obtained from the sample study identified in Step 2 by measuring the non-conversation time associated with both completed calls and unsuccessful attempts.

Tariff Advice 135-117

Issued to comply with Order No. 4 of the Regulatory Commission of
Alaska in Docket No. U-13-188, dated April 22, 2014

Effective: February 20, 2015

Issued By: ACS OF FAIRBANKS, LLC

By: _____

Lisa Phillips

Title: Manager, Regulatory Affairs

ACS OF FAIRBANKS, LLC d/b/a ALASKA COMMUNICATIONS SYSTEMS, ALASKA COMMUNICATIONS, ACS LOCAL SERVICE, AND ACS

ACCESS SERVICES

6. Switched Access Service (Cont'd)

6.8 Rate Regulations (Cont'd)

6.8.3 Measuring Access Minutes (Cont'd)

A. Feature Group A (Cont'd)

Step 4: For each call type, develop the total chargeable Originating Access Minutes by adding the Non-Conversation Time Additive ("NCTA") derived in Step 3 to the Total Originating Conversation Minutes obtained in Step 1.

Following is an example that illustrates how the chargeable originating access minutes for each call type are derived from the measured originating messages, conversation minutes, and study factors using the steps previously set forth.

Step 1:

Measured Originating Messages = 1,000
Measured Originating Conversation Minutes = 7,000

Step 2:

Originating Attempts per Message factor from study = 1.597
Total Originating Attempts = 1,000 messages X 1.5970 = 1,597

Step 3:

Non Conversation Time per Attempt factor from study = .372
Total Non Conversation Time Additive (NCTA) =
.372 X 1,597 = 594

Step 4:

Total Chargeable Originating Access Minutes =
7,000 conversation minutes + 594 (NCTA) = 7,594

Measured conversation minutes and fractions thereof, the exact value of the fraction being a function of the switch technology where the measurement is made, are accumulated over the billing period for each end office, and are then rounded up to the nearest whole minute for each end office.

For originating calls over FGA, usage measurement begins when the originating FGA first point of switching receives an off-hook supervisory signal forwarded from the customer's point of termination. This off-hook signal may be provided by the customer's equipment before the called party answers, or forwarded by the customer's equipment when the called party answers.

Tariff Advice 135-117

Issued to comply with Order No. 4 of the Regulatory Commission of Alaska in Docket No. U-13-188, dated April 22, 2014

Effective: February 20, 2015

Issued By: ACS OF FAIRBANKS, LLC

By: _____
Lisa Phillips

Title: Manager, Regulatory Affairs

ACS OF FAIRBANKS, LLC d/b/a ALASKA COMMUNICATIONS SYSTEMS,
ALASKA COMMUNICATIONS, ACS LOCAL SERVICE, AND ACS

ACCESS SERVICES

6. Switched Access Service (Cont'd)

6.8 Rate Regulations (Cont'd)

6.8.3 Measuring Access Minutes (Cont'd)

A. Feature Group A (Cont'd)

The measurement of originating call usage over FGA ends when the originating FGA first point of switching receives an on-hook supervisory signal from either the originating end user has disconnected, or the customer's point of termination, whichever is recognized first by the first point of switching.

For terminating calls over FGA, usage measurement begins when the terminating FGA first point of switching receives an off-hook supervisory signal from the terminating end user's end office, indicating the terminating end user has answered. The measurement of terminating call usage over FGA end when the terminating FGA first point of switching receives an on-hook supervisory signal from either the terminating end user's end office, indicating the terminating end user has disconnected, or the customer's point of terminating, whichever is recognized first by the first point of switching.

FGA access minutes or fractions thereof, the exact value of the fraction begin a function of the switch technology where the measurement is made, are accumulated over the billing period for each line or hunt group, and are then rounded up to the nearest access minute for each line or hunt group.

Assumed minutes are used for FGA services that originate or terminate in end offices not equipped with measurement capabilities and in such cases are the chargeable access minutes. Where originating and terminating measurement capability does not exist for feature group A provided to the first point of switching, the number of access minutes will be assumed as set forth in Section 13.2.5.

B. Feature Group B

Customer traffic to end offices will be measured (i.e., recorded) or assumed by the Company at end office switches or access tandem switches. Originating and terminating calls will be measured D (i.e., recorded) or assumed by the Company to determine the basis for computing chargeable access minutes. In the event the measured customer message detail is not available from the Company, the Company will obtain the volume of access minutes from the IXC, use assumed minutes as listed in Section 13.2.5, or use an estimate based on previously known volumes. The priority as set forth above will be used in selecting the method.

Tariff Advice 135-117

Issued to comply with Order No. 4 of the Regulatory Commission of
Alaska in Docket No. U-13-188, dated April 22, 2014

Effective: February 20, 2015

Issued By: ACS OF FAIRBANKS, LLC

By: _____

Lisa Phillips

Title: Manager, Regulatory Affairs

ACS OF FAIRBANKS, LLC d/b/a ALASKA COMMUNICATIONS SYSTEMS,
ALASKA COMMUNICATIONS, ACS LOCAL SERVICE, AND ACS

ACCESS SERVICES

6. Switched Access Service (Cont'd)

6.8 Rate Regulations (Cont'd)

6.8.3 Measuring Access Minutes (Cont'd)

B. Feature Group B (Con'd)

For both originating and terminating calls over FGB the measured minutes are the chargeable access minutes.

For originating calls over FGB, usage measurement begins when the originating FGB first point of switching receives answer supervision forwarded from the customer's point of termination, indicating the customer's equipment has answered.

The measurement of originating call usage over FGB ends when the originating FGB first point of switching receives disconnect supervision from either the originating end user's end office, indicating the originating end user has disconnected, or the customer's point of termination, whichever is recognized first by the first point of switching.

For terminating calls over FGB, usage measurement begins when the terminating FGB first point of switching receives answer supervision from the terminating end user's end office, indicating the terminating end user has answered.

The measurement of terminating call usage over FGB ends when the terminating FGB first point of switching receives disconnect supervision from either the terminating end user's end office, indicating the terminating end user has disconnected, or the customer's point of termination, whichever is recognized first by the first point of switching.

FGB access minutes or fractions thereof, the exact value of the fraction being a function of the switch technology where the measurement is made, are accumulated over the billing period for each end office, and are then rounded up to the nearest access minute for each end office.

Assumed minutes are used for FGB services that originate or terminate in end offices not equipped with measurement capabilities and in such cases are the chargeable access minutes, as set forth in Section 13.2.5.

Tariff Advice 135-117

Issued to comply with Order No. 4 of the Regulatory Commission of
Alaska in Docket No. U-13-188, dated April 22, 2014

Effective: February 20, 2015

Issued By: ACS OF FAIRBANKS, LLC

By: _____

Lisa Phillips

Title: Manager, Regulatory Affairs

ACS OF FAIRBANKS, LLC d/b/a ALASKA COMMUNICATIONS SYSTEMS, ALASKA COMMUNICATIONS, ACS LOCAL SERVICE, AND ACS

ACCESS SERVICES

6. Switched Access Service (Cont'd)

6.8 Rate Regulations (Cont'd)

6.8.3 Measuring Access Minutes (Cont'd)

C. Feature Group D

Customer traffic to end offices will be recorded at end office switches or access tandem switches. Originating and terminating calls will be measured or imputed to determine the basis for computing chargeable access minutes. In the event the measured customer message detail is not available from the Company, the Company will obtain the volume of access minutes from the IXC or use an estimate based on previously known volumes. The priority as set forth above will be used in selecting the method.

Originating Usage

For originating calls over FGD the measured minutes are the chargeable access minutes.

For originating calls over FGD, usage measurement begins when the originating FGD first point of switching receives the first wink supervisory signal forwarded from the customer's point of termination.

The measurement of originating call usage over FGD ends when the originating FGD first point of switching receives disconnect supervision from either the originating end user's end office, indicating the originating end user has disconnected, or the customer's point of termination, whichever is recognized first by the first point of switching.

Terminating Usage

For terminating calls over FGD the chargeable access minutes are either measured or imputed.

For terminating calls over FGD where measurement capability exists, the measurement of chargeable access minutes begins when the terminating FGD first point of switching receives answer supervision from the terminating end user's end office, indicating the terminating end user has answered. This measurement ends when the terminating FGD first point of switching receives disconnect supervision from either the terminating end user's end office, indicating the terminating end user has disconnected, or the customer's point of termination, whichever is recognized first by the first point of switching.

Tariff Advice 135-117

Issued to comply with Order No. 4 of the Regulatory Commission of Alaska in Docket No. U-13-188, dated April 22, 2014

Effective: February 20, 2015

Issued By: ACS OF FAIRBANKS, LLC

By:

Lisa Phillips

Title: Manager, Regulatory Affairs

ACS OF FAIRBANKS, LLC d/b/a ALASKA COMMUNICATIONS SYSTEMS, ALASKA COMMUNICATIONS, ACS LOCAL SERVICE, AND ACS

ACCESS SERVICES

6. Switched Access Service (Cont'd)

6.8 Rate Regulations (Cont'd)

6.8.3 Measuring Access Minutes (Cont'd)

C. Feature Group D (Cont'd)

For termination calls over FGD, where measurement capability does not exist, terminating FGD usage is imputed from originating usage, excluding usage from calls to closed end services or directory assistance services..

D. Wholesale Minutes

The wholesale provider must report to the Company, the access minutes provided each wholesale user via switched wholesale services in sufficient detail to bill all applicable rate elements, as necessary. The wholesale provider's measured or imputed FGD, and FGB minutes will be reduced and the wholesale user's minutes increased by the Company for reported wholesale user minutes. The Company will develop a percentage of wholesale use ("PWU") for each wholesale user to be applied to wholesale provider's access trunks to determine the dedicated trunks.

In addition, the wholesale user will provide measured minutes delivered through dedicated wholesale service to the Company.

6.8.4 Applications of Rates for Extension Service

Feature Group D WATS access lines are available with extensions, (additional terminations of the service at different buildings). WATS access line extensions are provided and charged for as special access service as described in Section 7.

6.8.5 Network Blocking

The customer will be notified by the Company to increase its capacity (busy hour minutes of capacity or quantities of trunks) when excessive trunk group blocking occurs on groups carrying Feature Group traffic and the measured access minutes for that hour exceed the capacity purchased. Excessive trunk group blocking occurs when the blocking thresholds stated in Section 6.6.5, are exceeded. They are predicated on time consistent, hourly measurements over a 30-day period using the five highest days of the week, excluding national holidays.

Tariff Advice 135-117

Issued to comply with Order No. 4 of the Regulatory Commission of Alaska in Docket No. U-13-188, dated April 22, 2014

Effective: February 20, 2015

Issued By: ACS OF FAIRBANKS, LLC

By: _____
Lisa Phillips

Title: Manager, Regulatory Affairs

ACS OF FAIRBANKS, LLC d/b/a ALASKA COMMUNICATIONS SYSTEMS, ALASKA COMMUNICATIONS, ACS LOCAL SERVICE, AND ACS

ACCESS SERVICES

6. Switched Access Service (Cont'd)

6.8 Rate Regulations (Cont'd)

6.8.6 800 Data Base Access Service

A Basic Query or Vertical Feature Query charge applies for each query that is launched to an 800 data base and identifies the customer to whom the call will be delivered. Query charges, as set forth in Section 13.2.2.F, will only be applied by those companies whose wire centers are identified as assessing query charges in the National Exchange Carrier Association, Inc. Tariff FCC No. 4.

When feature group D switched access service is used for the provision of 800 Data Base Access service and the total minutes of use and/or count of queries can be determined for each customer at a tandem or SSP but can not be determined by individual end office, an allocation method will be utilized to determine minutes of use and/or queries by end office and customer.

For each end office a ratio will be developed and applied against the total minutes of use and/or count of queries for a given customer as determined by the tandem or SSP. These ratios will be developed by dividing the unidentified originating 800 minutes of use at an end office by the total unidentified originating minutes of use in all end offices subtending the tandem or SSP. For example, assume:

Three end office (EO-1, EO-2, and EO-3) subtend a tandem
EO-1 measures 2,000 minutes of 800 use
EO-2 measures 3,000 minutes of 800 use
EO-3 measures 5,000 minutes of 800 use
10,000 TOTAL

The tandem delivers 800 usage to two customers:

IXC-A has 4,000 minutes of use IXC-B has 6,000 minutes of use

The allocation ratio for EO-1 is 20%:

2,000/10,000

The minutes of use to be billed by EO-1 are:

800 to IXC-A (20% x 4,000)
1,200 to IXC-B (20% x 6,000)
2,000 TOTAL

Tariff Advice 135-117

Issued to comply with Order No. 4 of the Regulatory Commission of Alaska in Docket No. U-13-188, dated April 22, 2014

Effective: February 20, 2015

Issued By: ACS OF FAIRBANKS, LLC

By: _____
Lisa Phillips

Title: Manager, Regulatory Affairs

ACS OF FAIRBANKS, LLC d/b/a ALASKA COMMUNICATIONS SYSTEMS, ALASKA COMMUNICATIONS, ACS LOCAL SERVICE, AND ACS

ACCESS SERVICES

6. Switched Access Service (Cont'd)

6.9 Common Switching, Transport Termination and Interim Optional Features

Following are descriptions of the various optional features that are available in lieu of, or in the addition to, the standard features provided with the feature groups. They are provided as common switching, transport termination or interim NXX translation options.

6.9.1 Common Switching Nonchargeable Optional Features

The following table shows the Feature Groups with which the optional features are available.

| Option | Available Feature Groups | | |
|---|--------------------------|---|---|
| | A | B | D |
| A. Call Denial on Line or Hunt Group | X | | |
| B. Service Code Denial on Line or Hunt Group | X | | |
| C. Hunt Group Arrangement | X | | |
| D. Uniform Call Distribution Arrangement | X | | |
| E. Nonhunting Number for Use with Hunt Group or Uniform Call Distribution Arrangement | X | | |
| F. Automatic Number Identification (ANI) | | X | X |
| G. Up to 7 Digit Outpulsing of Access Digits to Customer | | X | |
| H. Service Class Routing | | | X |
| I. Alternate Traffic Routing | | | X |
| J. Trunk Access Limitation | | | X |
| K. Call Gapping Arrangement | | | X |
| L. Band Advance Arrangement for Use with Special Access Service Utilized in the Provision of WATS or WATS-Type Services | X | X | X |
| M. End Office End User Line Service Screening for Use with Special Access Service Utilized in the Provision of WATS or WATS-Type Services | | | X |
| N. Hunt Group Arrangement for Use with Special Access Service Utilized in the Provision of WATS and WATS-Type Services | X | X | X |

Tariff Advice 135-117

Issued to comply with Order No. 4 of the Regulatory Commission of Alaska in Docket No. U-13-188, dated April 22, 2014

Effective: February 20, 2015

Issued By: ACS OF FAIRBANKS, LLC

By: _____
 Lisa Phillips

Title: Manager, Regulatory Affairs

ACS OF FAIRBANKS, LLC d/b/a ALASKA COMMUNICATIONS SYSTEMS, ALASKA COMMUNICATIONS, ACS LOCAL SERVICE, AND ACS

ACCESS SERVICES

6. Switched Access Service (Cont'd)

6.9 Common Switching, Transport Termination and Interim Optional Features

6.9.1 Common Switching Nonchargeable Optional Features (Cont'd)

The following table shows the Feature Groups with which the optional features are available.

| | Option | Available Feature Groups | | |
|----|---|--------------------------|---|---|
| | | A | B | D |
| O. | Uniform Call Distribution Arrangement for Use With Special Access Service Utilized in the Provision of WATS and WATS-Type Services | X | X | X |
| P. | Nonhunting Number Associated with Hunt Group Arrangement or Uniform Call Distribution Arrangement for Use with Special Access Service | X | X | X |
| Q. | Digital Switched 56 Service | | | X |

A. Call Denial on Line or Hunt Group

This option allows for the screening of terminating FGA calls. There are two screening arrangements available with this option as follows: 1) limiting terminating calls for completion to only 411 or 555-1212 whichever is available, 611, 911, 800 and a Company specified set of NXXs within the Company local exchange calling area of the dial tone office in which the arrangement is provided or, 2) limiting terminating calls to completion to only the NXXs associated with all end offices in the local calling area, i.e., the call cannot be further switched or routed out of the local calling area nor will calls be completed to 411 or 555-1212 whichever is available, 611, 911, or 800.

All other calls are routed to a reorder tone or recorded announcement. Arrangement 1 is provided in all Company electronic end offices and, where available, in electromechanical end office. Arrangement 2 is provided where available. This feature is available with FGA.

B. Service Code on Line or Hunt Group

This option allows for the screening of terminating calls within the local calling area, and for disallowing completion of calls to)-, 555, and N11 (e.g., 411, 611, and 911). This feature is provided where available in all Company end offices. It is available with FGA.

Tariff Advice 135-117

Issued to comply with Order No. 4 of the Regulatory Commission of Alaska in Docket No. U-13-188, dated April 22, 2014

Effective: February 20, 2015

Issued By: ACS OF FAIRBANKS, LLC

By: _____
 Lisa Phillips

Title: Manager, Regulatory Affairs

ACS OF FAIRBANKS, LLC d/b/a ALASKA COMMUNICATIONS SYSTEMS, ALASKA COMMUNICATIONS, ACS LOCAL SERVICE, AND ACS

ACCESS SERVICES

6. Switched Access Service (Cont'd)

6.9 Common Switching, Transport Termination and Interim NXX Optional Features (Cont'd)

6.9.1. Common Switching Nonchargeable Optional Features (Cont'd)

C. Hunt Group Arrangement

This option provides the ability to sequentially access one of two or more line side connections in the originating direction when the access code of the line group is dialed. This feature is provided in all Company end offices. It is available with FGA. All FGA access services in the same hunt group must provide off-hook supervisory signaling from the same point in time in the call sequence, i.e., all off-hook supervisory signals must either be provided by the customer's equipment before the called party answers or all must be forwarded by the customer's equipment when the called party answers.

D. Uniform Call Distribution Arrangement

This option provides a type of multi-line hunting arrangement which provides for an even distribution of calls among the available lines in a hunt group. Where available, this feature is provided in Company electronic end offices only. It is available with FGA.

E. Nonhunting Number for Use with Hunt Group or Uniform Call Distribution Arrangement

This option provides access to an individual line within a multi-line hunt or uniform call distribution group. When the nonhunting number is dialed, access is provided when it is idle, or busy tone is provided when it is busy. Where available, this feature is provided in Company electronic end offices only. It is available with FGA.

F. Automatic Number Identification ("ANI")

1. This option provides the automatic transmission of a seven digit or ten digit number and information digits to the customer designated premises for originating calls to identify the calling station. The ANI feature is an end office software function which is associated on a call-by-call basis with:

- a. All individual transmission paths in a trunk group routed directly between an end office and a customer designated premises or, where technically feasible, with
- b. All individual transmission paths in a trunk group between an end office and an access tandem, and a trunk group between an access tandem and a customer designated premises.

Tariff Advice 135-117

Issued to comply with Order No. 4 of the Regulatory Commission of Alaska in Docket No. U-13-188, dated April 22, 2014

Effective: February 20, 2015

Issued By: ACS OF FAIRBANKS, LLC

By: _____
Lisa Phillips

Title: Manager, Regulatory Affairs

ACS OF FAIRBANKS, LLC d/b/a ALASKA COMMUNICATIONS SYSTEMS, ALASKA COMMUNICATIONS, ACS LOCAL SERVICE, AND ACS

ACCESS SERVICES

6. Switched Access Service (Cont'd)

6.9 Common Switching, Transport Termination and Interim NXX Optional Features (Cont'd)

6.9.1. Common Switching Nonchargeable Optional Features (Cont'd)

F. Automatic Number Identification ("ANI") (Cont'd)

2. The seven digit ANI telephone number is generally available with FG B. With these feature groups, technical limitations may exist in Company switching facilities that require ANI to be provided only on a directly trunked basis. ANI will be transmitted on call calls except those originating from coin stations and coinless pay telephones using FGB, or when an ANI failure has occurred.
3. The ten digit ANI telephone number is only available with FGD. The ten digit ANI telephone number consists of the Number Plan Area ("NPA") plus the seven digit ANI telephone number. The ten digit ANI telephone number will be transmitted on all calls except those identified as an ANI failure, in which case only the NPA will be transmitted (in addition to the information digit described below).
4. ANI is provided from end offices where message detail recording is not required by the Company; as with 800 service. ANI is not provided from end offices where the Company forwards ANI to its recording equipment.
5. Where ANI detail cannot be provided, information digits will be provided to the customer.
 - a. telephone number that is the station billion number - no special treatment required.
 - b. ANI failure has occurred in the end office switch prevents identification of calling telephone number – must be obtained by operator or in some other manner;
 - c. hotel/motel originated call which requires room number identification;
 - d. Coinless station, hospital, inmate, etc. call which requires special screening or handling by the customer; and
 - e. call is an Automatic Identified Outward Dialed ("AIOD") call from customer premises equipment. The AIOD ANI telephone number is the listed telephone number of the customer and is not the telephone number of the calling party.

Tariff Advice 135-117

Issued to comply with Order No. 4 of the Regulatory Commission of Alaska in Docket No. U-13-188, dated April 22, 2014

Effective: February 20, 2015

Issued By: ACS OF FAIRBANKS, LLC

By: _____
Lisa Phillips

Title: Manager, Regulatory Affairs

ACS OF FAIRBANKS, LLC d/b/a ALASKA COMMUNICATIONS SYSTEMS, ALASKA COMMUNICATIONS, ACS LOCAL SERVICE, AND ACS

ACCESS SERVICES

6. Switched Access Service (Cont'd)

6.9 Common Switching, Transport Termination and Interim NXX Optional Features (Cont'd)

6.9.1. Common Switching Nonchargeable Optional Features (Cont'd)

F. Automatic Number Identification ("ANI") (Cont'd)

6. Additional ANI information digits are available with Feature Group D also. They include:

- a. Inter local calling area restricted - telephone number is identified line
- b. Inter local calling area restricted - hotel/motel line
- c. Inter local calling area restricted - coinless, hospital, inmate, etc., line

These information digits will be transmitted as agreed to by the customer and the Company.

7. Restrictions on Use and Sale of ANI

a. Intrastate access customers of this tariff may use ANI in the following manner:

For billing and collection information, for routing, screening, and completing the originating subscriber's call or transaction, or for services directly related to the originating telephone subscriber's call or transaction.

The customer may use ANI to offer a product or service that is directly related to the products or services previously acquired from the customer by the originating subscriber.

b. Any intrastate access customer of this tariff providing ANI on intrastate calls to any person shall provide such services under contract or tariff containing telephone subscriber information requirement that:

- 1. prohibit such person from reusing or selling the telephone number or billing information without notifying the originating telephone subscriber and obtaining the consent of such subscriber for such reuse or sale;

Tariff Advice 135-117

Issued to comply with Order No. 4 of the Regulatory Commission of Alaska in Docket No. U-13-188, dated April 22, 2014

Effective: February 20, 2015

Issued By: ACS OF FAIRBANKS, LLC

By: _____
Lisa Phillips

Title: Manager, Regulatory Affairs

ACS OF FAIRBANKS, LLC d/b/a ALASKA COMMUNICATIONS SYSTEMS, ALASKA COMMUNICATIONS, ACS LOCAL SERVICE, AND ACS

ACCESS SERVICES

6. Switched Access Service (Cont'd)

6.9 Common Switching, Transport Termination and Interim NXX Optional Features (Cont'd)

6.9.1. Common Switching Nonchargeable Optional Features (Cont'd)

F. Automatic Number Identification ("ANI") (Cont'd)

7. Restrictions on Use and Sale of ANI (Cont'd)

- b. 2. prohibit such person from disclosing any information derived from the automatic number identification for any purpose other than performing the services or transactions that are the subject of the originating telephone subscriber's call; ensuring network performance security; compiling, using and disclosing aggregate information; and complying with applicable law or legal process.

G. Up to 7 Digit Outpulsing of Access Digits

This option provides for the end office capability of providing up to 7 digits of the uniform access code (950-1/OXXX) to customer designated premises. The Customer can request that only some of the digits in the access code be forwarded. The access code digits would be provided to the customer designated premises using multi-frequency signaling and transmission of the digits would precede the forwarding of ANI if that feature were provided. This feature is available with FGB.

Tariff Advice 135-117

Issued to comply with Order No. 4 of the Regulatory Commission of Alaska in Docket No. U-13-188, dated April 22, 2014

Effective: February 20, 2015

Issued By: ACS OF FAIRBANKS, LLC

By: _____
Lisa Phillips

Title: Manager, Regulatory Affairs

ACS OF FAIRBANKS, LLC d/b/a ALASKA COMMUNICATIONS SYSTEMS, ALASKA COMMUNICATIONS, ACS LOCAL SERVICE, AND ACS

ACCESS SERVICES

6. Switched Access Service (Cont'd)

6.9 Common Switching, Transport Termination and Interim NXX Optional Features (Cont'd)

6.9.1. Common Switching Nonchargeable Optional Features (Cont'd)

H. Service Class Routing

This option provides the capability of directing originating traffic from an end office to a trunk group to a customer designated premises, based on the line class of service (e.g., coin, multiparty or hotel/motel), service prefix indicator (e.g., -0, 0+, 01+, or 011+) or Service Access Code (e.g., 800 or 900). It is provided in suitably equipped end office or access tandem switches. It is available with FGD.

I. Alternate Traffic Routing

This option provides the capability of directing originating traffic from an end office (or appropriately equipped access tandem) to a trunk group (the "high usage" group) to a customer designated premises until that group is fully loaded, and then delivering additional originating traffic (the "overflowing" traffic) from the same end office or access tandem to a different trunk group (the "final" group) to a second customer designated premises. The customer shall specify the last trunk CCS desired for the high usage group. It is provided in suitably equipped end office or access tandem switches. It is available with FGD.

J. Trunk Access Limitation

This option provides for the routing of originating 900 service calls to a specified number of transmission paths in a trunk group, in order to limit (choke) the completion of such traffic to the customer. Calls to the designated service which could not be completed over the subset of transmission paths of the trunk group, i.e., the choked calls, would be rerouted to reorder tone. It is provided in all Company electronic end offices and where available in electromechanical end offices. It is available with FGD.

Tariff Advice 135-117

Issued to comply with Order No. 4 of the Regulatory Commission of Alaska in Docket No. U-13-188, dated April 22, 2014

Effective: February 20, 2015

Issued By: ACS OF FAIRBANKS, LLC

By: _____
Lisa Phillips

Title: Manager, Regulatory Affairs

ACS OF FAIRBANKS, LLC d/b/a ALASKA COMMUNICATIONS SYSTEMS, ALASKA COMMUNICATIONS, ACS LOCAL SERVICE, AND ACS

ACCESS SERVICES

6. Switched Access Service (Cont'd)

6.9 Common Switching, Transport Termination and Interim NXX Optional Features (Cont'd)

6.9.1. Common Switching Nonchargeable Optional Features (Cont'd)

K. Call Gapping Arrangement

This option, provided in suitably equipped end office switches, provides for the routing of originating calls to 900 service to be switched in the end office to all transmission paths in a trunk group at a prescribed rate of flow, e.g., one call every five seconds, in order to limit (choke) the completion of such traffic to the customer. Calls to the designated service which are denied access by this feature, i.e., the choked calls, would be routed to a no-circuit announcement. It is provided in selected FGD equipped end office and is available only with FGD.

L. Band Advance Arrangement for Use with special access service Utilized in the provision of WATS or WATS-type services

This option, which is provided in association with two or more special access service groups, provides for the automatic overflow of terminating calls to a second special access service group, when the first group has exceeded its call capacity. This option is available with FGs A, B, and D.

M. End Office User Line Service Screening for Use with Special Access Service Utilized in the Provision of WATS or WATS-Type Services

This option provides the ability to verify that an end user has dialed a called party address (by screening the called NPA and/or NXX on the basis of geographical bands selected by the Company) which is in accordance with that end user's service agreement with the customer, e.g., WATS. This option is provided in all Company electronic end offices and, where available, in electromechanical end offices, which are designated as WATS serving offices. It is available with FGD.

Tariff Advice 135-117

Issued to comply with Order No. 4 of the Regulatory Commission of Alaska in Docket No. U-13-188, dated April 22, 2014

Effective: February 20, 2015

Issued By: ACS OF FAIRBANKS, LLC

By:

Lisa Phillips

Title: Manager, Regulatory Affairs

ACS OF FAIRBANKS, LLC d/b/a ALASKA COMMUNICATIONS SYSTEMS, ALASKA COMMUNICATIONS, ACS LOCAL SERVICE, AND ACS

ACCESS SERVICES

6. Switched Access Service (Cont'd)

6.9 Common Switching, Transport Termination and Interim NXX Optional Features (Cont'd)

6.9.1. Common Switching Nonchargeable Optional Features (Cont'd)

N. Hunt Group Arrangement for Use with Special Access Service Utilized in the Provision of WATS or WATS-Type Services

This option provides the ability to sequentially access one or two or more special access services utilized in the provision of WATS services (e.g., 800 service special access services) in the terminating direction, when the hunting number of the special access service group is forwarded from the customer to the Company. This feature is provided in all Company designated WATS service offices. It is available with FGs A, B, and D.

O. Uniform Call distribution Arrangement of Use with Special Access Service Utilized in the Provision of WATS or WATS-Type Services

This option provides a type of multi-line hunting arrangement which provides for an even distribution of terminating calls among the available special access services utilized in the provision of WATS or WATS-type services in the hunt group. Where available, this feature is only provided in Company designated WATS serving offices. It is available with FGs A, B, and D.

P. Nonhunting Number Associated with Hunt Group Arrangement or Uniform Call Distribution Arrangements for Use with Special Access Service Utilized in the Provision of WATS or WATS-Type Services

This option provides an arrangement, for an individual special access service utilized in the provision of WATS or WATS-type services within a multi-line hunt or uniform call distribution group, that provides access to that special access service within the hunt or uniform call distribution group, when it is idle or provides busy tone when it is busy, when the nonhunting number s dialed, without hunting to the next idle number. Where available, this feature is only provided in Company designated WATS serving offices. It is available with FGs A, B, and D.

Tariff Advice 135-117

Issued to comply with Order No. 4 of the Regulatory Commission of Alaska in Docket No. U-13-188, dated April 22, 2014

Effective: February 20, 2015

Issued By: ACS OF FAIRBANKS, LLC

By:

Lisa Phillips

Title: Manager, Regulatory Affairs

ACS OF FAIRBANKS, LLC d/b/a ALASKA COMMUNICATIONS SYSTEMS, ALASKA COMMUNICATIONS, ACS LOCAL SERVICE, AND ACS

ACCESS SERVICES

6. Switched Access Service (Cont'd)

6.9 Common Switching, Transport Termination and Interim NXX Optional Features (Cont'd)

6.9.1. Common Switching Nonchargeable Optional Features (Cont'd)

Q. Digital Switched 56 Service

This option provides for a connection between a customer's premise and a suitable equipped end user's premise which uses end office switching and facilities capable of transmitting digital data up to 56 kbps. Digital Switched 56 Service is only available in appropriately provisioned FGD offices.

6.9.2. Transport Termination Nonchargeable Optional Features

A. Rotary Dial Station Signaling

This option provides for the transmission of called party address signaling from rotary dial stations to the customer designated premises for originating calls. This option is provided in the form of a specific type of transport termination. It is available with FGB, only on a directly trunked basis.

1. Coin, Non-Coin:

This arrangement provides for initial coin return control, except in the case of non-coin, and routing of 0+, 0-, 1+, 01+ or 011+ prefixed originating coin and non-coin calls requiring operator assistance to the customer designated premises.

Because operator assisted coin calling traffic is routed over a trunk group dedicated to operator assisted calls, this arrangement is only provided in association with the Service Class Routing option. This arrangement is normally ordered by the customer in conjunction with the ANI optional feature, since the preponderance of trunk groups equipped with this arrangement will be terminated in the customer's automated operator services system, rather than in the customer's manual cord boards.

Tariff Advice 135-117

Issued to comply with Order No. 4 of the Regulatory Commission of Alaska in Docket No. U-13-188, dated April 22, 2014

Effective: February 20, 2015

Issued By: ACS OF FAIRBANKS, LLC

By: _____
Lisa Phillips

Title: Manager, Regulatory Affairs

ACS OF FAIRBANKS, LLC d/b/a ALASKA COMMUNICATIONS SYSTEMS, ALASKA COMMUNICATIONS, ACS LOCAL SERVICE, AND ACS

ACCESS SERVICES

6. Switched Access Service (Cont'd)

6.9 Common Switching, Transport Termination and Interim NXX Optional Features (Cont'd)

6.9.2. Transport Termination Nonchargeable Optional Features (Cont'd)

B. Operator Trunk - Coin, Non-Coin, or Combined Coin and Non-Coin (Cont'd)

2. Combined Coin and Non-Coin

When so equipped, the ANI optional feature provides for the forwarding of information digits which identify that the call has originated from a hotel or motel, and whether room number identification is required, or that special screening is required, e.g., for coinless public stations, dormitory or inmate stations, or other screening arrangements agreed to between the customer and the Company.

C. Operator Trunk - Full Feature

This option provides the initial coin return control function to the customer's operator. It is available with FGD and is provided as a trunk type of transport termination.

6.9.3. Chargeable Optional Features

A. Interim NXX Translation

This service is an originating offering utilizing trunk side switched access service and provides a customer identification function based on the dialed SAC and NXX code. For example, when a 1+900+NXX-XXXX call is originated by an end user, the Company will perform the customer identification function based on the dialed digits to determine the customer location to which the call is to be routed. If the call originates from an end office switch not equipped to provide the customer identification function, the call will be routed to an office at which the function is available. Once customer identification has been established, the call will be routed to that customer. Calls originating from an end office switch at which the customer identification function is performed, but to which the customer has not ordered Interim.

NXX Translation, will be blocked. Calls to a 900 number from coin telephones, 0+, 0-, 10XXX, Inmate Service, Hotel/Motel Service and calling card calls will be blocked. The manner in which Interim NXX Translation is provided is dependent on the status of the end office from which the service is provided (i.e., equipped with equal access capabilities or not equipped with equal access capabilities).

Tariff Advice 135-117

Issued to comply with Order No. 4 of the Regulatory Commission of Alaska Effective: February 20, 2015 in Docket No. U-13-188, dated April 22, 2014

Issued By: ACS OF FAIRBANKS, LLC

By: _____
Lisa Phillips

Title: Manager, Regulatory Affairs

ACS OF FAIRBANKS, LLC d/b/a ALASKA COMMUNICATIONS SYSTEMS, ALASKA COMMUNICATIONS, ACS LOCAL SERVICE, AND ACS

ACCESS SERVICES

6. Switched Access Service (Cont'd)

6.9 Common Switching, Transport Termination and Interim NXX Optional Features (Cont'd)

6.9.3. Chargeable Optional Features

B. 800 Data Base Service

800 Data Base Access Service is provided with FGD switched access service. When a 1+800+NXX-XXXX call is originated by an end user, the Company will utilize the Signaling System 7 ("SS7") network to query an 800 data base to perform the identification function. The call will then be routed to the identified customer over FGD switched access.

The manner in which 800 data base access service is provided is dependent on the availability of SS7 service at the end office from which the service is provided as outlined following:

- When 800 data base access service originates at an end office equipped with Service Switching Point ("SSP") capability for querying centralized data bases, all such service will be provisioned from that end office.
- When 800 data base access service originates at an end office not equipped with SSP customer identification capability, the 800 call will be delivered to the access tandem on which the end office is homed and which is equipped with the SSP feature to query centralized data bases.
- When 800 data base access service originates at an end office not equipped with SSP customer identification capability and the access tandem on which the end office is homed is not equipped with the SSP feature, or the end office is not homed to an access tandem, the Company will make special arrangements to query centralized data bases.

Query charges as set forth in Section 13.2.2.F are in addition to those charges applicable for the FGD switched access service.

Tariff Advice 135-117

Issued to comply with Order No. 4 of the Regulatory Commission of Alaska in Docket No. U-13-188, dated April 22, 2014

Effective: February 20, 2015

Issued By: ACS OF FAIRBANKS, LLC

By:

Lisa Phillips

Title: Manager, Regulatory Affairs

ACS OF FAIRBANKS, LLC d/b/a ALASKA COMMUNICATIONS SYSTEMS, ALASKA COMMUNICATIONS, ACS LOCAL SERVICE, AND ACS

ACCESS SERVICES

6. Switched Access Service (Cont'd)

6.9 Common Switching, Transport Termination and Interim NXX Optional Features (Cont'd)

6.9.1. Common Switching Nonchargeable Optional Features (Cont'd)

J. Dial Pulse Address Signaling

Where available, this trunk side option provides for the transmission of number information, e.g., called number, between the end office switching system and the customer designated premises (in either direction) by means of direct current pulses. It is available with FGC.

K. Service Class Routing

This option provides the capability of directing originating traffic from an end office to a trunk group to a customer designated premises, based on the line class of service (e.g., coin, multiparty or hotel/motel), service prefix indicator (e.g., -0, 0+, 01+, or 011+) or Service Access Code (e.g., 800 or 900). It is provided in suitably equipped end office or access tandem switches. It is available with FGs C and D.

L. Alternate Traffic Routing

This option provides the capability of directing originating traffic from an end office (or appropriately equipped access tandem) to a trunk group (the "high usage" group) to a customer designated premises until that group is fully loaded, and then delivering additional originating traffic (the "overflowing" traffic) from the same end office or access tandem to a different trunk group (the "final" group) to a second customer designated premises. The customer shall specify the last trunk CCS desired for the high usage group. It is provided in suitably equipped end office or access tandem switches. It is available with Feature Groups C and D.

M. Trunk Access Limitation

This option provides for the routing of originating 900 service calls to a specified number of transmission paths in a trunk group, in order to limit (choke) the completion of such traffic to the customer. Calls to the designated service which could not be completed over the subset of transmission paths of the trunk group, i.e., the choked calls, would be rerouted to reorder tone. It is provided in all Company electronic end offices and where available in electromechanical end offices. It is available with FGs C and D.

Tariff Advice 135-117

Issued to comply with Order No. 4 of the Regulatory Commission of Alaska in Docket No. U-13-188, dated April 22, 2014

Effective: February 20, 2015

Issued By: ACS OF FAIRBANKS, LLC

By:

Lisa Phillips

Title: Manager, Regulatory Affairs

ACS OF FAIRBANKS, LLC d/b/a ALASKA COMMUNICATIONS SYSTEMS, ALASKA COMMUNICATIONS, ACS LOCAL SERVICE, AND ACS

ACCESS SERVICES

6. Switched Access Service (Cont'd)

6.9 Common Switching, Transport Termination and Interim NXX Optional Features (Cont'd)

6.9.1. Common Switching Nonchargeable Optional Features (Cont'd)

N. Call Gapping Arrangement

This option, provided in suitably equipped end office switches, provides for the routing of originating calls to 900 service to be switched in the end office to all transmission paths in a trunk group at a prescribed rate of flow, e.g., one call every five seconds, in order to limit (choke) the completion of such traffic to the customer. Calls to the designated service which are denied access by this feature, i.e., the choked calls, would be routed to a no-circuit announcement. It is provided in selected FGD equipped end office and is available only with FGD.

O. Band Advance Arrangement for Use with special access service Utilized in the provision of WATS or WATS-type services

This option, which is provided in association with two or more special access service groups, provides for the automatic overflow of terminating calls to a second special access service group, when the first group has exceeded its call capacity. This option is available with FGs A, B, C, and D.

P. End Office User Line Service Screening for Use with Special Access Service Utilized in the Provision of WATS or WATS-Type Services

This option provides the ability to verify that an end user has dialed a called party address (by screening the called NPA and/or NXX on the basis of geographical bands selected by the Company) which is in accordance with that end user's service agreement with the customer, e.g., WATS. This option is provided in all Company electronic end offices and, where available, in electromechanical end offices, which are designated as WATS serving offices. It is available with FGs C and D.

Tariff Advice 135-117

Issued to comply with Order No. 4 of the Regulatory Commission of Alaska in Docket No. U-13-188, dated April 22, 2014

Effective: February 20, 2015

Issued By: ACS OF FAIRBANKS, LLC

By:

Lisa Phillips

Title: Manager, Regulatory Affairs

ACS OF FAIRBANKS, LLC d/b/a ALASKA COMMUNICATIONS SYSTEMS, ALASKA COMMUNICATIONS, ACS LOCAL SERVICE, AND ACS

ACCESS SERVICES

6. Switched Access Service (Cont'd)

6.9 Common Switching, Transport Termination and Interim NXX Optional Features (Cont'd)

6.9.1. Common Switching Nonchargeable Optional Features (Cont'd)

Q. Hunt Group Arrangement for Use with Special Access Service Utilized in the Provision of WATS or WATS-Type Services

This option provides the ability to sequentially access one or two or more special access services utilized in the provision of WATS services (e.g., 800 service special access services) in the terminating direction, when the hunting number of the special access service group is forwarded from the customer to the Company. This feature is provided in all Company designated WATS service offices. It is available with FGs A, B, C, and D.

R. Uniform Call distribution Arrangement of Use with Special Access Service Utilized in the Provision of WATS or WATS-Type Services

This option provides a type of multi-line hunting arrangement which provides for an even distribution of terminating calls among the available special access services utilized in the provision of WATS or WATS-type services in the hunt group. Where available, this feature is only provided in Company designated WATS serving offices. It is available with FGs A, B, C, and D.

S. Nonhunting Number Associated with Hunt Group Arrangement or Uniform Call Distribution Arrangements for Use with Special Access Service Utilized in the Provision of WATS or WATS-Type Services

This option provides an arrangement, for an individual special access service utilized in the provision of WATS or WATS-type services within a multi-line hunt or uniform call distribution group, that provides access to that special access service within the hunt or uniform call distribution group, when it is idle or provides busy tone when it is busy, when the nonhunting number is dialed, without hunting to the next idle number. Where available, this feature is only provided in Company designated WATS serving offices. It is available with FGs A, B, C, and D.

Tariff Advice 135-117

Issued to comply with Order No. 4 of the Regulatory Commission of Alaska in Docket No. U-13-188, dated April 22, 2014

Effective: February 20, 2015

Issued By: ACS OF FAIRBANKS, LLC

By:

Lisa Phillips

Title: Manager, Regulatory Affairs

ACS OF FAIRBANKS, LLC d/b/a ALASKA COMMUNICATIONS SYSTEMS, ALASKA COMMUNICATIONS, ACS LOCAL SERVICE, AND ACS

ACCESS SERVICES

6. Switched Access Service (Cont'd)

6.9 Common Switching, Transport Termination and Interim NXX Optional Features (Cont'd)

6.9.1. Common Switching Nonchargeable Optional Features (Cont'd)

T. Digital Switched 56 Service

This option provides for a connection between a customer's premise and a suitable equipped end user's premise which uses end office switching and facilities capable of transmitting digital data up to 56 kbps. Digital Switched 56 Service is only available in appropriately provisioned FGD offices.

6.9.2. Transport Termination Nonchargeable Optional Features

A. Rotary Dial Station Signaling

This option provides for the transmission of called party address signaling from rotary dial stations to the customer designated premises for originating calls. This option is provided in the form of a specific type of transport termination. It is available with FGB, only on a directly trunked basis.

B. Operator Trunk – Coin, Non-Coin, or Combined Coin and Non-Coin

This option may be ordered to provide coin, non-coin, or combined coin and non-coin operation. It is available only with FGC and is provided in electronic end offices and other Company end offices where equipment is available. It is provided as a trunk type of transport termination.

1. Coin, Non-Coin:

This arrangement provides for initial coin return control, except in the case of non-coin, and routing of 0+, 0-, 1+, 01+ or 011+ prefixed originating coin and non-coin calls requiring operator assistance to the customer designated premises.

Because operator assisted coin calling traffic is routed over a trunk group dedicated to operator assisted calls, this arrangement is only provided in association with the Service Class Routing option. This arrangement is normally ordered by the customer in conjunction with the ANI optional feature, since the preponderance of trunk groups equipped with this arrangement will be terminated in the customer's automated operator services system, rather than in the customer's manual cord boards.

Tariff Advice 135-117

Issued to comply with Order No. 4 of the Regulatory Commission of Alaska in Docket No. U-13-188, dated April 22, 2014

Effective: February 20, 2015

Issued By: ACS OF FAIRBANKS, LLC

By:

Lisa Phillips

Title: Manager, Regulatory Affairs

ACS OF FAIRBANKS, LLC d/b/a ALASKA COMMUNICATIONS SYSTEMS, ALASKA COMMUNICATIONS, ACS LOCAL SERVICE, AND ACS

ACCESS SERVICES

6. Switched Access Service (Cont'd)

6.9 Common Switching, Transport Termination and Interim NXX Optional Features (Cont'd)

6.9.2. Transport Termination Nonchargeable Optional Features (Cont'd)

B. Operator Trunk - Coin, Non-Coin, or Combined Coin and Non-Coin (Cont'd)

(2) Combined Coin and Non-Coin

When so equipped, the ANI optional feature provides for the forwarding of information digits which identify that the call has originated from a hotel or motel, and whether room number identification is required, or that special screening is required, e.g., for coinless public stations, dormitory or inmate stations, or other screening arrangements agreed to between the customer and the Company.

C. Operator Trunk - Full Feature

This option provides the initial coin return control function to the customer's operator. It is available with FG D and is provided as a trunk type of transport termination.

Tariff Advice 135-117

Issued to comply with Order No. 4 of the Regulatory Commission of Alaska in Docket No. U-13-188, dated April 22, 2014

Effective: February 20, 2015

Issued By: ACS OF FAIRBANKS, LLC

By:

Lisa Phillips

Title: Manager, Regulatory Affairs

ACS OF FAIRBANKS, LLC d/b/a ALASKA COMMUNICATIONS SYSTEMS, ALASKA COMMUNICATIONS, ACS LOCAL SERVICE, AND ACS

ACCESS SERVICES

6. Switched Access Service (Cont'd)

6.9 Common Switching, Transport Termination and Interim NXX Optional Features (Cont'd)

6.9.3. Chargeable Optional Features

A. Interim NXX Translation

This service is an originating offering utilizing trunk side switched access service and provides a customer identification function based on the dialed SAC and NXX code. For example, when a 1+900+NXX-XXXX call is originated by an end user, the Company will perform the customer identification function based on the dialed digits to determine the customer location to which the call is to be routed. If the call originates from an end office switch not equipped to provide the customer identification function, the call will be routed to an office at which the function is available. Once customer identification has been established, the call will be routed to that customer. Calls originating from an end office switch at which the customer identification function is performed, but to which the customer has not ordered Interim.

NXX Translation, will be blocked. Calls to a 900 number from coin telephones, 0+, 0-, 10XXX, Inmate Service, Hotel/Motel Service and calling card calls will be blocked. The manner in which Interim NXX Translation is provided is dependent on the status of the end office from which the service is provided (i.e., equipped with equal access capabilities or not equipped with equal access capabilities). When Interim NXX Translation is provided from an end office not equipped with equal access capabilities, it will be provided in conjunction with FGC switched access service.

B. 800 Data Base Service

800 Data Base Access Service is provided with FGC or FGD switched access service. When a 1+800+NXX-XXXX call is originated by an end user, the Company will utilize the Signaling System 7 ("SS7") network to query an 800 data base to perform the identification function. The call will then be routed to the identified customer over FGC or FGD switched access.

Tariff Advice 135-117

Issued to comply with Order No. 4 of the Regulatory Commission of Alaska in Docket No. U-13-188, dated April 22, 2014

Effective: February 20, 2015

Issued By: ACS OF FAIRBANKS, LLC

By: _____
Lisa Phillips

Title: Manager, Regulatory Affairs

ACS OF FAIRBANKS, LLC d/b/a ALASKA COMMUNICATIONS SYSTEMS, ALASKA COMMUNICATIONS, ACS LOCAL SERVICE, AND ACS

ACCESS SERVICES

6. Switched Access Service (Cont'd)

6.9 Common Switching, Transport Termination and Interim NXX Optional Features (Cont'd)

6.9.3. Chargeable Optional Features (Cont'd)

B. 800 Data Base Service (Cont'd)

The manner in which 800 data base access service is provided is dependent on the availability of SS7 service at the end office from which the service is provided as outlined following:

- When 800 data base access service originates at an end office equipped with Service Switching Point ("SSP") capability for querying centralized data bases, all such service will be provisioned from that end office.
- When 800 data base access service originates at an end office not equipped with SSP customer identification capability, the 800 call will be delivered to the access tandem on which the end office is homed and which is equipped with the SSP feature to query centralized data bases.
- When 800 data base access service originates at an end office not equipped with SSP customer identification capability and the access tandem on which the end office is homed is not equipped with the SSP feature, or the end office is not homed to an access tandem, the Company will make special arrangements to query centralized data bases.

Query charges as set forth in Section 13.2.2.F are in addition to those charges applicable for the FGC or FGD switched access service.

Tariff Advice 135-117

Issued to comply with Order No. 4 of the Regulatory Commission of Alaska in Docket No. U-13-188, dated April 22, 2014

Effective: February 20, 2015

Issued By: ACS OF FAIRBANKS, LLC

By:

Lisa Phillips

Title: Manager, Regulatory Affairs

ACS OF FAIRBANKS, LLC d/b/a ALASKA COMMUNICATIONS SYSTEMS,
ALASKA COMMUNICATIONS, ACS LOCAL SERVICE, AND ACS

ACCESS SERVICES

7. Special Access Service

7.1 General

Special access service provides a transmission path to connect customer designated premises, directly, through a Company hub or hubs where bridging or multiplexing functions are performed, or to connect a customer designated premises and a WATS Serving Office, or to connect a customer designated premises to a Public Packet Data Network Service. Special access service includes all exchange access not utilizing Company end office switches.

The connections provided by special access service can be either analog or digital. Analog connections are differentiated by spectrum and bandwidth. Digital connections are differentiated by bit rate.

7.1.1 Channel Types

There are five types of channels. Each type has its own characteristics. All are subdivided by one or more of the following:

- Transmission specifications,
- Bandwidth,
- Speed (i.e., bit rate), and
- Spectrum

Customers can order a basic channel and select from a list of those available transmission parameters and channel interfaces that they desire in order to meet specific communications requirements.

For purposes of ordering channels, each has been identified as a type of special access service. However, such identification is not intended to limit a customer's use of the channel or to imply that the channel is limited to a particular use.

Following is a brief description of each type of channel:

Voice Grade - a channel for the transmission of analog signals within an approximate bandwidth of 300 to 3000 Hz.

Program Audio – a channel for the transmission of audio signals. The nominal frequency bandwidths are from 200 to 3500 Hz, from 100 to 5000 Hz, from 50 to 8000 Hz, or from 50 to 15000 Hz.

Tariff Advice 135-117

Issued to comply with Order No. 4 of the Regulatory Commission of Alaska in Docket No. U-13-188, dated April 22, 2014 Effective: February 20, 2015

Issued By: ACS OF FAIRBANKS, LLC

By:

Lisa Phillips

Title: Manager, Regulatory Affairs

ACS OF FAIRBANKS, LLC d/b/a ALASKA COMMUNICATIONS SYSTEMS,
ALASKA COMMUNICATIONS, ACS LOCAL SERVICE, AND ACS

ACCESS SERVICES

7. Special Access Service

7.1 General (Cont'd)

7.1.1 Channel Types (Cont'd)

Video - a channel for the transmission of standard 525 line 60 field monochrome or National Television Systems Committee color video signal and one or two associated 5 or 15 kHz audio signals. The bandwidth is either 30 Hz to 4.5 MHz or 30 Hz to 6.6 MHz

Digital Data - a channel for the digital transmission of synchronous serial data at rates of 2.4, 4.8, 9.6, 19.2, 56.0, or 64.0 kbps

High Capacity - a channel for the transmission of isochronous serial digital data at rates of 1.544, 3.152, 6.312, 44.736 or 274.176 mbps.

Detailed descriptions of each of the channel types are provided in Section 7.4 through 7.9.

The customer also has the option of ordering voice grade and high capacity facilities (i.e., 1.544 mbps, 3.152 mbps, 6.312 mbps, 44.736 mbps and 274.176 mbps) to Company hubs for multiplexing to individual channels of a lower capacity or bandwidth. Descriptions of the types of multiplexing available at the hubs, as well as the number of individual channels which may be derived from each type of facility are set forth in Section 7.2.5. Additionally, the customer may specify optional features for the individual channels derived from the facility to further tailor the channel to meet specific communications requirements. Descriptions of the optional features and functions available are set forth in Section 7.2.1.

For example, a customer may order a 3.152 mbps High Capacity channel from a customer designated premises to a Company hub for multiplexing to two 1.544 mbps channels. The 1.544 mbps channels may be further multiplexed at the same or a different hub to voice grade channels or may be extended to other customer designated premises or hubs. Optional features may be added to either the 1.544 mbps or the voice grade channels.

Tariff Advice 135-117

Issued to comply with Order No. 4 of the Regulatory Commission of Alaska in Docket No. U-13-188, dated April 22, 2014 Effective: February 20, 2015

Issued By: ACS OF FAIRBANKS, LLC

By: _____
Lisa Phillips

Title: Manager, Regulatory Affairs

ACS OF FAIRBANKS, LLC d/b/a ALASKA COMMUNICATIONS SYSTEMS,
ALASKA COMMUNICATIONS, ACS LOCAL SERVICE, AND ACS

ACCESS SERVICES

7, Special Access Service (Cont'd)

7.1 General (Cont'd)

7.1.2 Service Descriptions

For the purposes of ordering, there are five categories of special access service. These are:

Service Designator Codes

| | |
|---------------|----|
| Voice | VG |
| Program Audio | AP |
| Video | TV |
| Digital | DA |
| High Capacity | HC |

Each service consists of a basic channel to which a technical specifications package (customized or pre-defined), channel interface(s) and, when desired, optional features and functions are added to construct the service desired by the customer. Technical specification packages are described in Section 11.2, optional features and functions are described in this section. Channel interfaces are described in Section 11.2.

Customized technical specifications packages will be provided where technically feasible. If the Company determines that the requested parameter specifications are not compatible, the customer will be advised and given the opportunity to change the order.

When a customized channel is ordered the customer will be notified whether Additional engineering charges apply. In such cases, the customer will be advised and given the opportunity to change the order.

The channel descriptions provided in Section 7.4 through 7.9, specify the characteristics of the basic channel and indicate whether the channel is provided between customer designated premises, between a customer designated premises and a Company hub where bridging or multiplexing functions are performed, between hubs, or between a customer designated premises and a WATS serving office.

Tariff Advice 135-117

Issued to comply with Order No. 4 of the Regulatory Commission of Alaska in Docket No. U-13-188, dated April 22, 2014 Effective: February 20, 2015

Issued By: ACS OF FAIRBANKS, LLC

By: _____
Lisa Phillips

Title: Manager, Regulatory Affairs

ACS OF FAIRBANKS, LLC d/b/a ALASKA COMMUNICATIONS SYSTEMS,
ALASKA COMMUNICATIONS, ACS LOCAL SERVICE, AND ACS

ACCESS SERVICES

7, Special Access Service (Cont'd)

7.1 General (Cont'd)

7.1.2 Service Descriptions (Cont'd)

- A. Information pertaining to the technical specifications packages indicates the transmission parameters that are available with each package. This information is displayed in matrices set forth in Section 11.2.
- B. Channel interfaces at each point of termination on a two-point service may be symmetrical or asymmetrical. On a multi-point service they may also be symmetrical or asymmetrical, but communications can only be provided between compatible channel interfaces. Only certain channel interfaces are compatible. These are set forth in Section 11.2, in a combination format.
- C. Only certain channel interface combinations are available with the predefined technical specifications packages. These are delineated in the Technical References set forth in Section 7.1.2.F. When a customized channel is requested, all channel interface combinations available with the specified type of service are available with the customized channel.
- D. The optional features and functions available with each type of special access service are described in this section. The optional features and functions information also indicates with which technical specifications packages they are available. Such information is displayed in matrices set forth in Section 11.2 with the optional feature or function listed down the left side and the technical specifications package listed across the top.
- E. The Company will maintain services installed prior to April 1, 1985, at their existing transmission specifications provided such performance specifications do not exceed the standards listed in this provision. Those services exceeding the standards listed will be maintained at the performance levels specified in this tariff.

Tariff Advice 135-117

Issued to comply with Order No. 4 of the Regulatory Commission of Alaska in Docket No. U-13-188, dated April 22, 2014 Effective: February 20, 2015

Issued By: ACS OF FAIRBANKS, LLC

By:

Lisa Phillips

Title: Manager, Regulatory Affairs

ACS OF FAIRBANKS, LLC d/b/a ALASKA COMMUNICATIONS SYSTEMS,
ALASKA COMMUNICATIONS, ACS LOCAL SERVICE, AND ACS

ACCESS SERVICES

7, Special Access Service (Cont'd)

7.1 General (Cont'd)

7.1.2 Service Descriptions (Cont'd)

F. All services installed after April 1, 1985, will conform to the transmission specifications standards contained in this tariff or in the following Technical References for each category of service:

| | |
|-------------------------|--------------------------------------|
| Voice Grade | TR-NWT-000335, PUB 41004, Table 4 |
| Digital Data | TR-NWT-000341 |
| - 2.4,4.8,9.6&56.0 kbps | PUB 62310 |
| - 19.2 kbps | INC Bulletin CB-INC-100 |
| - 64.0 kbps | GR-342-CORE |
| Program Audio | GR-337-CORE |
| Video | GR-338-CORE |
| High Capacity | GR-342-CORE |
| | GR-54-CORE |
| | PUB 41451 |

7.1.3 Service Configurations

There are two types of service configurations over which special access services are provided: Point-to-point service and multi-point service.

A. Point-to-Point Service

A point-to-point service connects two customer designated premises, either on a directly connected basis or through a hub where multiplexing functions are performed, or a customer designated premises and a wire center equipped for Frame Relay Access Service, and a WATS Serving Office ("WSO").

Tariff Advice 135-117

Issued to comply with Order No. 4 of the Regulatory Commission of Alaska in Docket No. U-13-188, dated April 22, 2014 Effective: February 20, 2015

Issued By: ACS OF FAIRBANKS, LLC

By:

Lisa Phillips

Title: Manager, Regulatory Affairs

ACS OF FAIRBANKS, LLC d/b/a ALASKA COMMUNICATIONS SYSTEMS,
ALASKA COMMUNICATIONS, ACS LOCAL SERVICE, AND ACS

ACCESS SERVICES

7, Special Access Service (Cont'd)

7.1 General (Cont'd)

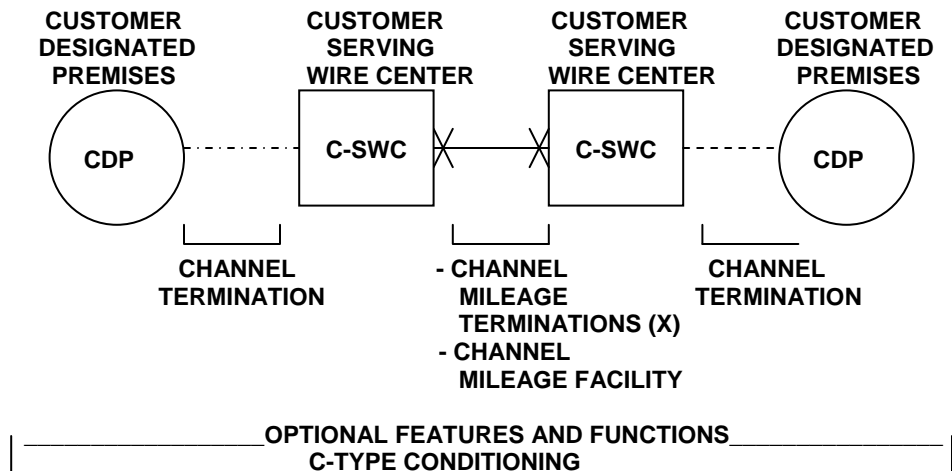
7.1.3 Service Configurations (Cont'd)

Applicable rate elements are:

- Channel Terminations
- Channel Mileage (as applicable)
- Optional Features and Functions (when applicable)

A special access surcharge, as set forth in Section 7.3, may be applicable.

The following diagram depicts a point-to-point voice grade service connecting two customer designated premises ("CDP"). The service is provided with C-type conditioning.



Applicable rate elements are:

- Channel Terminations (applicable one (1) per CDP)
- Channel Mileage
- 2 Channel Mileage Terminations plus
- 1 section, Channel Mileage Facility per mile
- C-Type Conditioning Optional Feature

Tariff Advice 135-117

Issued to comply with Order No. 4 of the Regulatory Commission of Alaska in Docket No. U-13-188, dated April 22, 2014 Effective: February 20, 2015

Issued By: ACS OF FAIRBANKS, LLC

By: _____
Lisa Phillips

Title: Manager, Regulatory Affairs

ACS OF FAIRBANKS, LLC d/b/a ALASKA COMMUNICATIONS SYSTEMS,
ALASKA COMMUNICATIONS, ACS LOCAL SERVICE, AND ACS

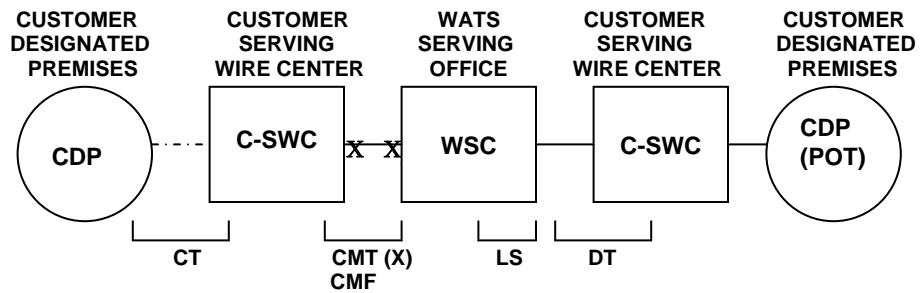
ACCESS SERVICES

7. Special Access Service (Cont'd)

7.1 General

7.1.3 Service Configurations (Cont'd)

The following diagram depicts a point-to-point voice grade service connecting a customer designated premises to a WATS serving office.



- CT - Channel Termination
- CMT - Channel Mileage Termination
- CMF - Channel Mileage Facility
- LS - Local Switching
- DT - Dedicated Transport

Applicable rate elements for special access are:

- Channel Termination
- Channel Mileage
 - 2 Channel Mileage Terminations plus
 - 1 section, Channel Mileage Facility per mile
- Special Access Surcharge*

*May not apply if exemption certification is provided.

Tariff Advice 135-117

Issued to comply with Order No. 4 of the Regulatory Commission of Alaska in Docket No. U-13-188, dated April 22, 2014 Effective: February 20, 2015

Issued By: ACS OF FAIRBANKS, LLC

By: _____
Lisa Phillips

Title: Manager, Regulatory Affairs

ACS OF FAIRBANKS, LLC d/b/a ALASKA COMMUNICATIONS SYSTEMS,
ALASKA COMMUNICATIONS, ACS LOCAL SERVICE, AND ACS

ACCESS SERVICES

7. Special Access Service (Cont'd)

7.1 General (Cont'd)

7.1.3 Service Configurations (Cont'd)

B. Multi-point Service.

Multi-point service connects three or more customer designated premises through one or more Company hubs. Only certain types of special access service are provided as multi-point service. These are so designated in the descriptions for the appropriate channel.

The channel between hubs (i.e., bridging locations) on a multi-point service is a mid-link. There is no limitation on the number of mid-links available with a multi-point service. However, when more than three mid-links in tandem are provided the quality of the overall service may be degraded.

Multi-point service utilizing a customized technical specifications package, as set forth in Sections 7.1.2 and 11.2, will be provided when technically possible. If the Company determines that the requested characteristics for a multi-point service are not compatible, the customer will be advised and given the opportunity to change the order.

When ordering, the customer will specify the desired bridging hub(s). National Exchange Carrier Association, Inc. Tariff FCC No. 4 identifies serving wire centers, hub locations and the type of bridging functions available.

Applicable Rate Elements are:

- Channel Terminations (one per customer designated premises)
- Channel Mileage (as applicable between the serving wire center for each customer designated premises and the hub and between hubs)
- Bridging
- Additional Optional Features and Functions (when applicable).

Tariff Advice 135-117

Issued to comply with Order No. 4 of the Regulatory Commission of Alaska in Docket No. U-13-188, dated April 22, 2014 Effective: February 20, 2015

Issued By: ACS OF FAIRBANKS, LLC

By:

Lisa Phillips

Title: Manager, Regulatory Affairs

ACS OF FAIRBANKS, LLC d/b/a ALASKA COMMUNICATIONS SYSTEMS,
 ALASKA COMMUNICATIONS, ACS LOCAL SERVICE, AND ACS

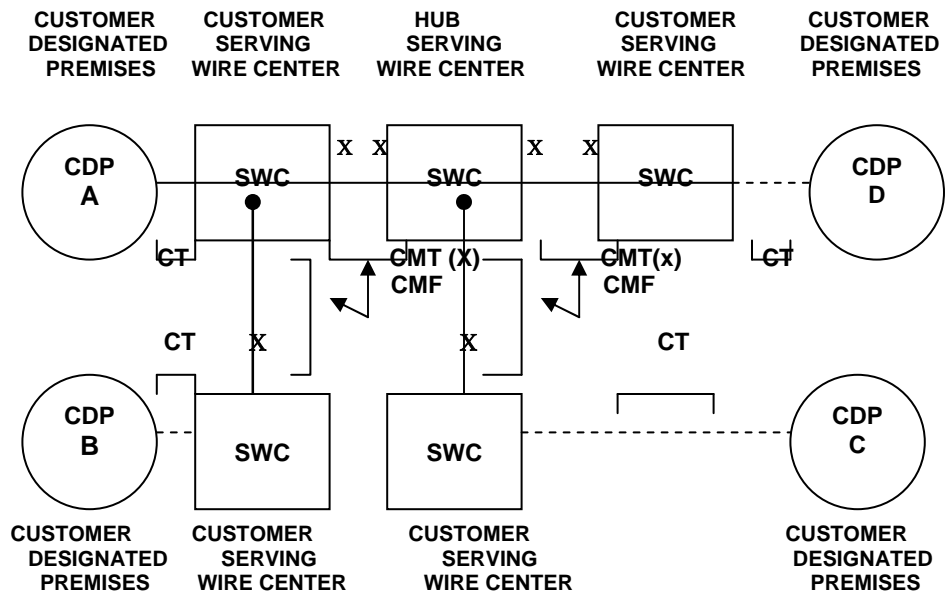
ACCESS SERVICES

7. Special Access Service (Cont'd)

7.1 General (Cont'd)

7.1.3 Service Configurations (Cont'd)

The special access surcharge, as set forth in Section 7.3, may be applicable.
 Example: Voice Grade multi-point service connecting four customer designated premises ("CDP") via two customer specified bridging hubs.



CT - Channel Termination
 CMT- Channel Mileage Termination
 CMF- Channel Mileage Facility
 - Bridging Port

● Applicable Rate Elements are:

- Channel Terminations (4 applicable)
- Channel Mileage
 - 2 Channel Mileage Terminations per Channel Mileage Facility section for a total of 8 plus*
 - 4 sections, Channel Mileage Facility per mile
- Bridging Optional Feature (6 applicable, i.e., each bridge port)

Tariff Advice 135-117
 Issued to comply with Order No. 4 of the Regulatory Commission of Alaska in Docket No. U-13-188, dated April 22, 2014 Effective: February 20, 2015

Issued By: ACS OF FAIRBANKS, LLC

By: _____
 Lisa Phillips

Title: Manager, Regulatory Affairs

ACS OF FAIRBANKS, LLC d/b/a ALASKA COMMUNICATIONS SYSTEMS,
ALASKA COMMUNICATIONS, ACS LOCAL SERVICE, AND ACS

ACCESS SERVICES

7. Special Access Service (Cont'd)

7.1 General (Cont'd)

7.1.4 Alternate Use

Alternate Use occurs when a service is arranged by the Company so that the customer can select different types of transmission at different times. A customer may use a service in any privately beneficial manner. However, where technical or engineering changes are required to effectuate an alternate use, the Company will make such special arrangements available on an individual case basis.

The arrangement required to transfer the service from one operation to the other (i.e., the transfer relay and control leads) will be rated and provided on an individual case basis. The customer will pay the stated tariff rates for the access service rate elements for the service ordered (i.e., Channel Terminations, Channel Mileage (as applicable) and Optional Features and Functions (if any))

7.1.5 Special Facilities Routing

A customer may request that the facilities used to provide special access service be specially routed. The regulations, rates and charges for Special Facilities Routing (i.e., Avoidance, Diversity, and Cable-Only) are set forth in Section 8.

7.1.6 Design Layout Report

At the request of the customer, the Company will provide to the customer the make-up of the facilities and services provided under this tariff as special access service to aid the customer in designing its overall service. This information will be provided in the form of a Design Layout Report. The Design Layout Report will be provided to the customer at no charge, and will be reissued or updated whenever these facilities are materially changed.

Tariff Advice 135-117

Issued to comply with Order No. 4 of the Regulatory Commission of Alaska in Docket No. U-13-188, dated April 22, 2014 Effective: February 20, 2015

Issued By: ACS OF FAIRBANKS, LLC

By: _____
Lisa Phillips

Title: Manager, Regulatory Affairs

ACS OF FAIRBANKS, LLC d/b/a ALASKA COMMUNICATIONS SYSTEMS,
ALASKA COMMUNICATIONS, ACS LOCAL SERVICE, AND ACS

ACCESS SERVICES

7. Special Access Service (Cont'd)

7.1 General (Cont'd)

7.1.7 Acceptance Testing

At no additional charge, the Company will, at the customer's request, cooperatively test the following at the time of installation:

- A. For voice grade analog services, the acceptance test will include tests for loss, 3-tone slope, DC continuity, operational signaling, C-notched noise, and C-message noise when these parameters are applicable and specified in the order of service. Additionally, for voice grade services, a balance (improved loss) test will be made if the customer has ordered the improved loss optional feature.
- B. For other analog services (i.e. program audio and video) and for digital services (i.e., digital data and high capacity), acceptance tests will include tests applicable to the service as specified by the customer in the order for service.

In addition to the above tests, Additional Cooperative Acceptance Testing for voice grade service to test other parameters is available at the customer's request. All test results will be made available to the customer upon request.

7.1.8 Ordering Options and Conditions

Special access service is ordered under the access order provisions set forth in Section 5. Also included in that section are other charges that may be associated with ordering special access service (e.g., Service Date Change Charges, Cancellation Charges, etc.).

Tariff Advice 135-117

Issued to comply with Order No. 4 of the Regulatory Commission of Alaska in Docket No. U-13-188, dated April 22, 2014 Effective: February 20, 2015

Issued By: ACS OF FAIRBANKS, LLC

By: _____
Lisa Phillips

Title: Manager, Regulatory Affairs

ACS OF FAIRBANKS, LLC d/b/a ALASKA COMMUNICATIONS SYSTEMS,
ALASKA COMMUNICATIONS, ACS LOCAL SERVICE, AND ACS

ACCESS SERVICES

7. Special Access Service (Cont'd)

7.2 Rate Regulations

This section contains the specific regulations governing the rates and charges that apply for Special Access.

7.2.1 Rate Categories

There are three basic rate categories which apply to Special Access Service:

- Channel Terminations (described in Section 7.2.1.A)
- Channel Mileage (described in Section 7.2.1.B)
- Optional Features and Functions (described in Section 7.2.1.C)

A. The Channel Termination rate category recovers the costs associated with the communications path between a customer designated premises and the serving wire center of that premises. Included as part of the Channel Termination is a standard channel interface arrangement which defines the technical characteristics associated with the type of facilities to which the access service is to be connected at the point of termination ("POT") and the type of signaling capability, if any. The signaling capability is provided as an optional feature as set forth in Section 7.2.1.C. One Channel Termination charge applies per customer designated premises at which the channel is terminated. This charge will apply even if the customer designated premises and the serving wire center are collocated in a Company building, except when: (1) the customer designated premises and the serving wire center are physically (including caged, cageless, shared, and adjacent arrangements) or virtually collocated as those terms are used in 47 C.F.R. 51.323, and (2) the customer obtains collocation for the purpose of interconnection with the Company's network for the transmission and routing of telephone exchange service, exchange access or both, and for the purpose of providing local exchange or exchange access services to its customers.

For a special access digital data service 56.0 or 64.0 kbps bit rate or high capacity service connecting a customer designated premises to a Public Packet Data Network Service as described in Section 12, there will be a charge for only one Channel Termination.

Tariff Advice 135-117

Issued to comply with Order No. 4 of the Regulatory Commission of Alaska in Docket No. U-13-188, dated April 22, 2014 Effective: February 20, 2015

Issued By: ACS OF FAIRBANKS, LLC

By:

Lisa Phillips

Title: Manager, Regulatory Affairs

ACS OF FAIRBANKS, LLC d/b/a ALASKA COMMUNICATIONS SYSTEMS,
ALASKA COMMUNICATIONS, ACS LOCAL SERVICE, AND ACS

ACCESS SERVICES

7. Special Access Service (Cont'd)

7.2 Rate Regulations (Cont'd)

7.2.1 Rate Categories (Cont'd)

B. Channel Mileage

The Channel Mileage rate category recovers the costs associated with the end office equipment and the transmission facilities between the serving wire centers associated with two customer designated premises, between a serving wire center associated with a customer designated premises and a Company hub or between two Company hubs. Channel Mileage rates are made up of the Channel Mileage Facility rate and the Channel Mileage Termination rate.

1. Channel Mileage Facility

The Channel Mileage Facility rate recovers the per mile cost for the transmission path which extends between the Company serving wire centers and/or hub(s) or between the Company serving wire center and another wire center equipped for Frame Relay Access Service.

2. Channel Mileage Termination

The Channel Mileage Termination rate recovers the cost for end office equipment associated with terminating the facility (i.e., basic circuit equipment and terminations at serving wire centers and hubs). The Channel Mileage Termination rate will apply at the serving wire center(s) for each customer designated premises and Company where the channel is terminated. If the Channel Mileage is between Company bridging hubs, the Channel Mileage Termination rate will apply per Company designated hub. If the Channel Mileage is between the serving wire center for a customer designated premises and a WATS serving office, the Channel Mileage Termination rate will apply at both the serving wire center associated with the customer designated premises and the WATS serving office. If the Channel Mileage is between the serving wire center for a customer designated premises and another wire center equipped for Frame Relay Access Service, the Channel Mileage Termination Rate will apply only at the serving wire center for the customer designated premises. When the Channel Mileage Facility is zero (i.e., collocated serving wire centers), neither the Channel Mileage Facility rate nor the Channel Mileage Termination rate will apply.

Tariff Advice 135-117

Issued to comply with Order No. 4 of the Regulatory Commission of Alaska in Docket No. U-13-188, dated April 22, 2014 Effective: February 20, 2015

Issued By: ACS OF FAIRBANKS, LLC

By: _____
Lisa Phillips

Title: Manager, Regulatory Affairs

ACS OF FAIRBANKS, LLC d/b/a ALASKA COMMUNICATIONS SYSTEMS,
ALASKA COMMUNICATIONS, ACS LOCAL SERVICE, AND ACS

ACCESS SERVICES

7. Special Access Service (Cont'd)

7.2 Rate Regulations (Cont'd)

7.2.1 Rate Categories (Cont'd)

C. Optional Features and Functions

The Optional Features and Functions rate category recovers the costs associated with optional features and functions which may be added to a Special access service to improve its quality or utility to meet specific communications requirements. These are not necessarily identifiable with specific equipment, but rather represent the end result in terms of performance characteristics that may be obtained. These characteristics may be obtained by using various combinations of equipment. Although the equipment necessary to perform a specified function may be installed at various locations along the path of the service, they will be charged for as a single rate element.

Examples of Optional Features and Functions that are available include, but are not limited to, the following:

- Signaling Capability
- Hubbing Functions
- Conditioning

A hub is a Company designated serving wire center at which bridging or multiplexing functions are performed. The bridging functions performed are to connect three or more customer designated premises in a multi-point arrangement. The multiplexing functions are to channelize analog or digital facilities to individual services requiring a lower capacity or bandwidth. National Exchange Carrier Association Tariff, Inc. FCC No. 4 identifies serving wire centers, hub locations and the type of bridging or multiplexing functions available.

Descriptions for each of the available Optional Features and Functions are set forth in Sections 7.4 through 7.8.

Tariff Advice 135-117

Issued to comply with Order No. 4 of the Regulatory Commission of Alaska in Docket No. U-13-188, dated April 22, 2014 Effective: February 20, 2015

Issued By: ACS OF FAIRBANKS, LLC

By:

Lisa Phillips

Title: Manager, Regulatory Affairs

ACS OF FAIRBANKS, LLC d/b/a ALASKA COMMUNICATIONS SYSTEMS,
ALASKA COMMUNICATIONS, ACS LOCAL SERVICE, AND ACS

ACCESS SERVICES

7. Special Access Service (Cont'd)

7.2 Rate Regulations (Cont'd)

7.2.2 Types of Rates and Charges (Cont'd)

There are three types of rates and charges. These are monthly rates, daily rates, and nonrecurring charges. The rates and charges are described as follows:

A. Monthly Rates

Monthly rates are recurring rates that apply each month or fraction thereof that a special access service is provided. For billing purposes, each month is considered to have 30 days.

B. Daily Rates

Daily rates are recurring rates that apply to each 24-hour period or fraction thereof that a Program Audio or Video special access service is provided for part-time use. For purposes of applying daily rates, the 24-hour period is not limited to a calendar day.

Part-time Video or Program Audio service provided within a consecutive 30-day period will be charged the daily rate, not to exceed the monthly rate. For each day or partial day after a consecutive 30-day period of service, a charge equal to 1/30th of the monthly rate shall apply.

C. Nonrecurring Charges

Nonrecurring charges are one-time charges that apply for specific work activity (i.e., installation or change to an existing service). The types of nonrecurring charges that apply for special access service are: installation of service, installation of optional features and functions, and service rearrangements. These charges are in addition to the access order charge.

Tariff Advice 135-117

Issued to comply with Order No. 4 of the Regulatory Commission of Alaska in Docket No. U-13-188, dated April 22, 2014 Effective: February 20, 2015

Issued By: ACS OF FAIRBANKS, LLC

By:

Lisa Phillips

Title: Manager, Regulatory Affairs

ACS OF FAIRBANKS, LLC d/b/a ALASKA COMMUNICATIONS SYSTEMS,
ALASKA COMMUNICATIONS, ACS LOCAL SERVICE, AND ACS

ACCESS SERVICES

7. Special Access Service (Cont'd)

7.2 Rate Regulations (Cont'd)

7.2.2 Types of Rates and Charges

C. Nonrecurring Charges (Cont'd)

1. Installation of Service

Nonrecurring charges apply to each service installed. The nonrecurring charges for the installation of service are set for each channel type as a nonrecurring charge for the Channel Termination.

2. Installation of Optional Features and Functions

When optional features and functions are installed coincident with the initial installation of service, no separate nonrecurring charge is applicable. When optional features and functions are installed or changed subsequent to the installation of service, an access order charge will apply per order.

3. Service Rearrangements

Service rearrangements are changes to existing (installed) services which may be administrative only in nature, as set forth herein, or that involve actual physical change to the service. Changes to pending orders are set forth in Section 5.

Changes in the physical location of the point of termination or customer designated premises are moves as set forth in Section 7.2.3.

Changes in the type of service or Channel Termination which result in a change of the minimum period requirement (see Section 7.2.4) will be treated as a discontinuance of the service and an installation of a new service.

Tariff Advice 135-117

Issued to comply with Order No. 4 of the Regulatory Commission of Alaska in Docket No. U-13-188, dated April 22, 2014 Effective: February 20, 2015

Issued By: ACS OF FAIRBANKS, LLC

By: _____
Lisa Phillips

Title: Manager, Regulatory Affairs

ACS OF FAIRBANKS, LLC d/b/a ALASKA COMMUNICATIONS SYSTEMS,
ALASKA COMMUNICATIONS, ACS LOCAL SERVICE, AND ACS

ACCESS SERVICES

7. Special Access Service (Cont'd)

7.2 Rate Regulations (Cont'd)

7.2.2 Types of Rates and Charges (Cont'd)

C. Nonrecurring Charges (Cont'd)

3. Service Rearrangements (Cont'd)

Changes in ownership or transfer of responsibility from one customer to another will be treated as a discontinuance of the service and an installation of a new service. In the event the change in ownership or transfer of responsibility is as set forth in the Assignment of Transfer of Services Section 2.1.2.A, where there is no change in facilities or arrangements, the change will be treated as an administrative change.

Administrative changes will be made without charge(s) to the customer. Administrative changes are as follows:

- Change of customer name;
- Change of customer or customers' end user premises address when the change of address is not a result of physical relocation of equipment;
- Change in billing data (name, address, or contact name or telephone number);
- Change of agency authorization;
- Change of customer circuit identification;
- Change of billing account number;
- Change of customer test line number;
- Change of customer or customer's end user contact name or telephone number; and
- Change of jurisdiction.

All other service rearrangements will be charged as follows:

Tariff Advice 135-117

Issued to comply with Order No. 4 of the Regulatory Commission of Alaska in Docket No. U-13-188, dated April 22, 2014 Effective: February 20, 2015

Issued By: ACS OF FAIRBANKS, LLC

By: _____
Lisa Phillips

Title: Manager, Regulatory Affairs

ACS OF FAIRBANKS, LLC d/b/a ALASKA COMMUNICATIONS SYSTEMS,
ALASKA COMMUNICATIONS, ACS LOCAL SERVICE, AND ACS

ACCESS SERVICES

7. Special Access Service (Cont'd)

7.2 Rate Regulations (Cont'd)

7.2.2 Types of Rates and Charges (Cont'd)

C. Nonrecurring Charges (Cont'd)

3. Service Rearrangements (Cont'd)

- If the change involves the addition of other customer designated premises to an existing service, the nonrecurring charge for the channel termination rate element will apply. The charge(s) will apply only for the location(s) that is being added. The charge(s) will be in addition to an access order charge.
- If the change involves the addition of an optional feature or function, or if the change involves changing the type of signaling on a voice grade service, and for all other changes, the access order charge will apply.

7.2.3 Moves

A move involves a change in the physical location of one of the following:

- The point of termination at the customer's premises
- The customer's premises

The charges for the move are dependent on whether the move is to a new location within the same building or to a different building.

A. Moves Within the Same Building

When the move is to a new location within the same building, the charge for the move will be an amount equal to one half of the nonrecurring (i.e., installation) charge for the service termination affected. There will be no change in the minimum period requirements. This charge is in addition to the access order charge.

Tariff Advice 135-117

Issued to comply with Order No. 4 of the Regulatory Commission of Alaska in Docket No. U-13-188, dated April 22, 2014 Effective: February 20, 2015

Issued By: ACS OF FAIRBANKS, LLC

By: _____
Lisa Phillips

Title: Manager, Regulatory Affairs

ACS OF FAIRBANKS, LLC d/b/a ALASKA COMMUNICATIONS SYSTEMS,
ALASKA COMMUNICATIONS, ACS LOCAL SERVICE, AND ACS

ACCESS SERVICES

7. Special Access Service (Cont'd)

7.2 Rate Regulations (Cont'd)

7.2.3 Moves (Cont'd)

B. Moves To a Different Building

Moves to a different building will be treated as a discontinuance and start of service and all associated nonrecurring charges will apply. New minimum period requirements will be established for the new services. The customer will also remain responsible for satisfying all outstanding minimum period charges for the discontinued service.

7.2.4 Mileage Measurement

The mileage to be used to determine the monthly rate for the Channel Mileage Facility is calculated on the airline distance between the locations involved, i.e.,

- the serving wire centers associated with two customer designated premises;
- a serving wire center associated with a customer designated premises and a Company hub or, two Company hubs;
- a serving wire center associated with a customer designated premises and a wire center equipped for Frame Relay Access Service; or
- between the serving wire center associated with a customer designated premises and a WATS Serving Office.

The serving wire center associated with a customer designated premises is the serving wire center from which this customer designated premises would normally obtain dial tone.

Tariff Advice 135-117

Issued to comply with Order No. 4 of the Regulatory Commission of Alaska in Docket No. U-13-188, dated April 22, 2014 Effective: February 20, 2015

Issued By: ACS OF FAIRBANKS, LLC

By:

Lisa Phillips

Title: Manager, Regulatory Affairs

ACS OF FAIRBANKS, LLC d/b/a ALASKA COMMUNICATIONS SYSTEMS,
ALASKA COMMUNICATIONS, ACS LOCAL SERVICE, AND ACS

ACCESS SERVICES

7. Special Access Service (Cont'd)

7.2 Rate Regulations (Cont'd)

7.2.4 Mileage Measurement (Cont'd)

Mileage charges are shown with each channel type. To determine the rate to be billed, first compute the mileage using the V&H coordinates method, as set forth in National Exchange Carrier Association, Inc., Tariff FCC No. 4, then multiply the resulting number of miles times the Channel Mileage Facility per mile rate, and add the Channel Mileage Termination rate for each termination. When the calculation results in a fraction of a mile, always round up to the next whole mile before determining the mileage and applying the rates.

When hubs are involved, mileage is computed and rates applied separately for each section of the Channel Mileage, i.e.,

- customer designated premises serving wire center to hub;
- hub to hub; and/or
- hub to customer designated premises serving wire center.

However, when any service is routed through a hub for purposes other than customer specified bridging or multiplexing (e.g., the Company chooses to so route for test access purposes), rates will be applied only to the distance calculated between the serving wire centers associated with the customer designated premises. See the service configuration example for multi-point service as set forth in Section 7.1.3.B.

7.2.5 Facility Hubs

A customer has the option of ordering voice grade service or high capacity services (i.e., DS1, DS1C, DS2, DS3, or DS4) to a facility hub for channelizing to individual services requiring lower capacity facilities.

Different locations may be designated as hubs for different facility capacities, e.g., multiplexing from digital to digital may occur at one location while multiplexing from digital to analog may occur at a different location. When placing an Access Order the customer will specify the desired hub. National Exchange Carrier Association, Inc., Tariff FCC No. 4 identifies serving wire centers, hub locations and the type of multiplexing functions available.

Tariff Advice 135-117

Issued to comply with Order No. 4 of the Regulatory Commission of Alaska in Docket No. U-13-188, dated April 22, 2014 Effective: February 20, 2015

Issued By: ACS OF FAIRBANKS, LLC

By: _____
Lisa Phillips

Title: Manager, Regulatory Affairs

ACS OF FAIRBANKS, LLC d/b/a ALASKA COMMUNICATIONS SYSTEMS,
ALASKA COMMUNICATIONS, ACS LOCAL SERVICE, AND ACS

ACCESS SERVICES

7. Special Access Service (Cont'd)

7.2 Rate Regulations (Cont'd)

7.2.5 Facility Hubs (Cont'd)

Some of the types of multiplexing available include the following:

- from higher to lower bit rate;
- from higher to lower bandwidth; and
- from high capacity to voice frequency channels.

Point-to-point services may be provided on channels of these services to a hub. The transmission performance for the point-to-point service provided between customer designated premises will be that of the lower capacity or bit rate. For example, when a 1.544 mbps channel is multiplexed to voice frequency channels, the transmission performance of the channelized services will be voice grade, not high capacity.

The Company will commence billing and monthly rate for the service to the hub on the date specified by the customer on the access order. Individual channels utilizing these services may be installed coincident with the installation of the service to the hub or may be ordered and/or installed at a later date, at the option of the customer. The customer will be billed for a voice grade or a high capacity Channel Termination, Channel Mileage (when applicable), and the multiplexer at the time the service is installed. Individual service rates (by service type) will apply for a Channel Termination and additional Channel Mileage (as required) for each channelized service. These will be billed to the customer as each individual service is installed.

Cascading multiplexing occurs when a high capacity service is de-multiplexed to provide channels with a lesser capacity and one of the lesser capacity channels is further de-multiplexed. For example, a 6.312 mbps high capacity service is de-multiplexed to four DS1 channels and then one of the DS1 channels is further de-multiplexed to 24 individual Voice Grade channels.

Tariff Advice 135-117

Issued to comply with Order No. 4 of the Regulatory Commission of Alaska in Docket No. U-13-188, dated April 22, 2014 Effective: February 20, 2015

Issued By: ACS OF FAIRBANKS, LLC

By: _____
Lisa Phillips

Title: Manager, Regulatory Affairs

ACS OF FAIRBANKS, LLC d/b/a ALASKA COMMUNICATIONS SYSTEMS,
ALASKA COMMUNICATIONS, ACS LOCAL SERVICE, AND ACS

ACCESS SERVICES

7. Special Access Service (Cont'd)

7.2 Rate Regulations (Cont'd)

7.2.5 Facility Hubs (Cont'd)

When cascading multiplexing is performed, whether in the same or a different hub, a charge for the additional multiplexing unit also applies. When cascading multiplexing is performed at different hubbing locations, Channel Mileage charges also apply between the hubs.

The Company will designate hubs for program audio and video services. Full-time or part-time service may be provided between customer designated premises or between a customer designated premises and a hub and billed accordingly at the monthly rates set forth in Section 13 for a Channel Termination, Channel Mileage, and Optional Features and Functions, as applicable. When the service is ordered to a hub, the customer may order a full-time or part-time video and program audio services as needed between that hub and additional customer designated premises. The rate elements required to provide the part-time service (i.e., Channel Termination, Channel Mileage, and Optional Features and Functions, as applicable) will be billed at daily rates for the duration of the service requested.

7.2.6 Mixed Use Analog and Digital High Capacity Services

Mixed use refers to a rate application applicable only when the customer designated premises and a Company hub where the Company performs multiplexing/ demultiplexing functions and the same customer then orders the derived channels as special and switched access services.

The high capacity facility will be ordered, provided and rated as special access service (i.e., Channel Termination, Channel Mileage, as appropriate, and Multiplexing Arrangement). The nonrecurring charge that applies when the mixed-use facility is installed will be the nonrecurring charge associated with the appropriate special access high capacity Channel Termination. Rating as Special Access will continue until such time as the customer chooses to use a portion of the available capacity for switched access service. Individual service (i.e., switched or special access) nonrecurring charges will not apply to the individual channels of the mixed-use facility.

Tariff Advice 135-117

Issued to comply with Order No. 4 of the Regulatory Commission of Alaska in Docket No. U-13-188, dated April 22, 2014 Effective: February 20, 2015

Issued By: ACS OF FAIRBANKS, LLC

By:

Lisa Phillips

Title: Manager, Regulatory Affairs

ACS OF FAIRBANKS, LLC d/b/a ALASKA COMMUNICATIONS SYSTEMS,
ALASKA COMMUNICATIONS, ACS LOCAL SERVICE, AND ACS

ACCESS SERVICES

7. Special Access Service (Cont'd)

7.2 Rate Regulations (Cont'd)

7.2.6 Mixed Use Analog and Digital High Capacity Services (Cont'd)

When special access service is provided utilizing a channel of the mixed use facility to a hub, high capacity rates and charges will apply for the facility to the hub, as set forth preceding, and individual service rates and charges will apply from the hub to the customer designated premises. The rates and charges that will apply to the portion from the hub to the customer designated premises will be dependent on the specific type of special access service that is provided (e.g., voice grade, etc.). The applicable rates and charges will include a Channel Termination and Channel Mileage, if applicable. Rates and charges for optional features and functions associated with the service, if any, will apply for the appropriate channel type.

As each individual channel is activated for switched access service, the high capacity special access Channel Termination and Channel Mileage rates will be reduced accordingly (e.g., 1/24th for a DS1 service, etc.). Switched access service rates and charges will apply for each channel of the standard use facility that is used to provide a switched access service.

The customer must place an order for each individual switched or special access service utilizing the mixed-use facilities and specify the channel assignment for each such service.

Tariff Advice 135-117

Issued to comply with Order No. 4 of the Regulatory Commission of Alaska in Docket No. U-13-188, dated April 22, 2014 Effective: February 20, 2015

Issued By: ACS OF FAIRBANKS, LLC

By: _____
Lisa Phillips

Title: Manager, Regulatory Affairs

ACS OF FAIRBANKS, LLC d/b/a ALASKA COMMUNICATIONS SYSTEMS,
ALASKA COMMUNICATIONS, ACS LOCAL SERVICE, AND ACS

ACCESS SERVICES

7. Special Access Service (Cont'd)

7.3 Surcharge for Special Access Service

7.3.1. General

Special access services provided under this tariff may be subject to the monthly Special Access Surcharge.

7.3.2 Application

A. The special access service that terminates on an end user's PBX or other device, where through a function of the device, the special access service interconnects to the local exchange network. Interconnection functions include, but are not limited to, wiring and software functions, bridging, switching or patching of calls or stations. The surcharge will apply irrespective of whether the interconnection function is performed in equipment located at the customer's premises or in a Centrex CO-type switch.

B. Special access service will be exempted from the surcharge by the Company upon receipt of the customer's written certification for the following special access service terminations:

1. an open-end termination in a Company switch of an FX line, including CCSA and CCSA-equivalent ONALs;
2. a termination used for TELEX service;
3. a termination that by the nature of its operating characteristics could not make use of Company common lines such as, terminations which are restricted through hardware or software;
4. a termination that interconnects either directly or indirectly to the local exchange network where the usage is subject to Carrier Common Line charges such as, where the special access service accesses only FGA and no local exchange lines, or special access service between customer points of termination; or
5. A termination that the customer certifies to the Company is not connected to a PBX or other device that interconnects the special access service to a local exchange subscriber line.

Tariff Advice 135-117

Issued to comply with Order No. 4 of the Regulatory Commission of Alaska in Docket No. U-13-188, dated April 22, 2014 Effective: February 20, 2015

Issued By: ACS OF FAIRBANKS, LLC

By: _____
Lisa Phillips

Title: Manager, Regulatory Affairs

ACS OF FAIRBANKS, LLC d/b/a ALASKA COMMUNICATIONS SYSTEMS,
ALASKA COMMUNICATIONS, ACS LOCAL SERVICE, AND ACS

ACCESS SERVICES

7. Special Access Service (Cont'd)

7.3 Surcharge for Special Access Service

7.3.3 Exemption of Special Access Service Surcharge

A. Special access services which are terminated as set forth in Section 7.3.2.B will be exempted from the Special Access Surcharge if the customer provides the Company with written exemption certification. The certification may be provided to the Company as follows:

- at the time the special access service is ordered or installed;
- at such time as the service is terminated to a device which does not interconnect the service to local exchange facilities; or
- at such time as the service becomes associated with a switched access service that is subject to Carrier Common Line charges.

B. The exemption certification is to be provided by the customer ordering the service. The certification must be signed by the customer or authorized representative and include the category of exemption, as set forth in Section 7.3.2.B, for each termination, and the date which the exemption is effective.

C. The customer shall also notify the Company when an exempted special access service is changed or it is determined that such exemption is no longer applicable.

D. The Company will work cooperatively with the customer to resolve any questions regarding the exemption certification. In addition, the Company may withhold exemption of the service until the questions are resolved.

7.3.4 Rate Regulations

A. The surcharge will apply as set forth in Section 7.3.2.A, except that a surcharge will be assessed on a per voice grade equivalent basis for special access services derived from high capacity special access services as illustrated in the following example:

| | | | | |
|----------------------------------|----------------------------------|---|------------------|---------------------------|
| Special Access <u>Service</u> | Voice Grade <u>Equivalent</u> | | <u>Surcharge</u> | <u>Monthly Charge</u> |
| DS-1 | 24 | X | 25 = | \$600 |

Tariff Advice 135-117

Issued to comply with Order No. 4 of the Regulatory Commission of Alaska in Docket No. U-13-188, dated April 22, 2014 Effective: February 20, 2015

Issued By: ACS OF FAIRBANKS, LLC

By: _____
Lisa Phillips

Title: Manager, Regulatory Affairs

ACS OF FAIRBANKS, LLC d/b/a ALASKA COMMUNICATIONS SYSTEMS,
ALASKA COMMUNICATIONS, ACS LOCAL SERVICE, AND ACS

ACCESS SERVICES

7. Special Access Service (Cont'd)

7.3 Surcharge for Special Access Service (Cont'd)

7.3.4 Rate Regulations (Cont'd)

A. (Cont'd)

The preceding example illustrates the maximum number of surcharges applicable to a DS1. If the customer claims exemption(s) as set forth in Section 7.3.3, or is not utilizing all available voice grade equivalents and has spare capacity, the number of surcharges would be reduced accordingly.

In the case of multi-point special access services, one Special Access Surcharge will apply for each termination of a special access channel at an end user's premises.

B. The Company will bill the appropriate Special Access Surcharge to the ordering customer for each intrastate special access service installed unless exemption certification is provided as set forth in Section 7.3.3.

C. If a written certification is not received at the time the special access service is obtained, the Surcharge will be applied. Exempt status will become effective on the certification date indicated by the customer, subject to the regulations set forth in Section 7.3.4.D.

D. Crediting the Surcharge

The Company will cease billing the Special Access Surcharge when certification, as set forth in Section 7.3.3, is received. If the status of the special access service was changed prior to receipt of the exemption certification, the Company will credit the customer's account, not to exceed 90 days, based on the effective date of the change as specified by the customer in the letter of certification..

7.4 Voice Grade Service

7.41 Basic Channel Description

A Voice grade channel is a channel that provides voice frequency transmission capability in the nominal frequency range of 300 to 3000 Hz and may be terminated two-wire or four-wire. Voice grade channels are provided between customer designated premises, between a customer designated premises and a Company hub or hubs, or between a customer designated premises and a WATS Serving Office ("WSO").

Tariff Advice 135-117

Issued to comply with Order No. 4 of the Regulatory Commission of Alaska in Docket No. U-13-188, dated April 22, 2014 Effective: February 20, 2015

Issued By: ACS OF FAIRBANKS, LLC

By: _____
Lisa Phillips

Title: Manager, Regulatory Affairs

ACS OF FAIRBANKS, LLC d/b/a ALASKA COMMUNICATIONS SYSTEMS,
ALASKA COMMUNICATIONS, ACS LOCAL SERVICE, AND ACS

ACCESS SERVICES

7. Special Access Service (Cont'd)

7.4 Voice Grade Service (Cont'd)

7.4.1. Basic Channel Description (Cont'd)

Voice grade special access services are typically used for voice and voiceband data applications. Typical examples of voice grade circuits are foreign exchange lines (station end only), multi-point private line, voice trunk type, two-point voice grade data (one-way or simultaneous two-way), multi-point voice grade data, and voice grade telephoto or facsimile. These examples of applications are not intended to limit a customer's use of the channel or to imply that the channel is limited to a particular use.

7.4.2 Technical Specifications Packages and Network Channel Interfaces.

Technical Specifications Packages are set forth in Section 11.2.1. Compatible network channel interfaces are set forth in Section 11.2.2.

7.4.3 Chargeable Optional Features and Functions

A. Central Office Bridging Capability

1. Voice Bridging (two-wire and four-wire)
2. Data Bridging (two-wire and four-wire)
3. Telephoto Bridging (Two-wire and four-wire)
4. Telemetry and Alarm Bridging
Split Band, Active Bridging
Passive Bridging
Summation, Active Bridging

B. Conditioning

Conditioning provides more specific transmission characteristics for voice grade services.

Tariff Advice 135-117

Issued to comply with Order No. 4 of the Regulatory Commission of Alaska in Docket No. U-13-188, dated April 22, 2014 Effective: February 20, 2015

Issued By: ACS OF FAIRBANKS, LLC

By: _____
Lisa Phillips

Title: Manager, Regulatory Affairs

ACS OF FAIRBANKS, LLC d/b/a ALASKA COMMUNICATIONS SYSTEMS,
ALASKA COMMUNICATIONS, ACS LOCAL SERVICE, AND ACS

ACCESS SERVICES

7. Special Access Service (Cont'd)

7.4 Voice Grade Service (Cont'd)

7.4.3 Chargeable Optional Features and Functions (B) (Cont'd)

For point-to-point services, the parameters apply to each service as measured end-to-end. For multi-point services, the parameters apply as measured on each mid-link or as measured on each end link. C-Type conditioning and Data Capability may be combined on the same service.

1. C-Type Conditioning

C-Type Conditioning is provided for the additional control of attenuation distortion and envelope delay distortion on data services. The attenuation distortion and envelope delay distortion specifications for C-Type Conditioning are delineated in Technical Reference TR-NPL-000335.

2. Improved Attenuation Distortion*

Improved Attenuation Distortion upgrades the frequency versus loss limits of the channel. The technical specifications for Improved Attenuation Distortion are delineated in Technical Reference TR-NPL-000335. This option is available only when ordered in combination with C-Type Conditioning.

3. Improved Envelope Delay Distortion*

Improved Envelope Delay Distortion upgrades the frequency versus delay response limits of the channel. The technical specifications for Improved Envelope Delay Distortion are delineated in Technical Reference TR-NPL-000335. This option is available only when ordered in combination with C-Type Conditioning.

*Improved Attenuation Distortion and Improved Envelope Delay Distortion will continue to be provided to all customers who were provided with either or both of these optional features in conjunction with C-Type Conditioning prior to May 4, 1988.

Tariff Advice 135-117

Issued to comply with Order No. 4 of the Regulatory Commission of Alaska in Docket No. U-13-188, dated April 22, 2014 Effective: February 20, 2015

Issued By: ACS OF FAIRBANKS, LLC

By:

Lisa Phillips

Title: Manager, Regulatory Affairs

ACS OF FAIRBANKS, LLC d/b/a ALASKA COMMUNICATIONS SYSTEMS,
ALASKA COMMUNICATIONS, ACS LOCAL SERVICE, AND ACS

ACCESS SERVICES

7. Special Access Service (Cont'd)

7.4 Voice Grade Service (Cont'd)

7.4.3 Chargeable Optional Features and Functions (Cont'd)

B. Conditioning (Cont'd)

4. Data Capability (D Conditioning)

Data Capability provides transmission characteristics suitable for data communications. Specifically, Data Capability provides for the control of Signal to C-Notched Noise Ratio and intermodulation distortion. It is available for point-to-point services or three-point multi-point services.

The Signal to C-Notched Noise Ratio and intermodulation distortion parameter for Data Capability are delineated in Technical Reference TR-NPL-000335.

When a service equipped with Data Capability is used for voice communications, the quality of the voice transmission may not be satisfactory.

5. Telephoto Capability

Telephoto Capability provides transmission characteristics suitable for telephotographic communications. Specifically, Telephoto Capability is provided for the control of attenuation distortion and envelope delay distortion parameters for Telephoto Capability are delineated in Technical Reference TR-NPL-000335.

6. Sealing Current Conditioning

Sealing Current Conditioning is provided to help maintain continuity on dry metallic loops. It is usually associated with four-wire DA or NO type network channel interfaces.

Tariff Advice 135-117

Issued to comply with Order No. 4 of the Regulatory Commission of Alaska in Docket No. U-13-188, dated April 22, 2014 Effective: February 20, 2015

Issued By: ACS OF FAIRBANKS, LLC

By: _____
Lisa Phillips

Title: Manager, Regulatory Affairs

ACS OF FAIRBANKS, LLC d/b/a ALASKA COMMUNICATIONS SYSTEMS,
ALASKA COMMUNICATIONS, ACS LOCAL SERVICE, AND ACS

ACCESS SERVICES

7. Special Access Service (Cont'd)

7.4 Voice Grade Service (Cont'd)

7.4.3 Chargeable Optional Features and Functions (B) (Cont'd)

C. Customer Specified Premises Receive Level

This option allows the customer to specify the receive level at the point of termination. The level must be within a specific range on effective four-wire transmission. The ranges are delineated in Technical Reference TR-NPL-000335.

D. Improved Return Loss

1. On effective four-wire transmission at four-wire point of termination applicable to each two-wire port: Provides for a fixed 600 ohm impedance, variable level range and simplex reversal. Company equipment is required at the premises where this option is ordered. The Improved Return Loss parameters are delineated in Technical Reference TR-NPL-000335.

2. On effective Two-Wire Transmission at Two-Wire Point of Termination: Provides for more stringent Echo Control specifications. In order for this option to be applicable, the transmission path must be four-wire at one POT and two-wire at the other POT. Placement of Company equipment may be required at the customer's premises with the two-wire POT. The Improved Return Loss parameters are delineated in Technical Reference TR-NPL-000335.

E. Signaling Capability

Signaling Capability provides for the ability to transmit signals from one customer premises to another customer premises on the same service.

The following network channel interfaces for voice grade service do not require signaling capability: AH, DA, DB, DD, DE, DS, NO, PR, and TF.

The following network channel interfaces for voice grade service require signaling capability: AB, AC, CT, DX, DY, EA, EB, EC, EX, GO, GS, LA, LB, LC, LO, LR, LS, RV, and SF.

Tariff Advice 135-117

Issued to comply with Order No. 4 of the Regulatory Commission of Alaska in Docket No. U-13-188, dated April 22, 2014 Effective: February 20, 2015

Issued By: ACS OF FAIRBANKS, LLC

By:

Lisa Phillips

Title: Manager, Regulatory Affairs

ACS OF FAIRBANKS, LLC d/b/a ALASKA COMMUNICATIONS SYSTEMS,
ALASKA COMMUNICATIONS, ACS LOCAL SERVICE, AND ACS

ACCESS SERVICES

7. Special Access Service (Cont'd)

7.4 Voice Grade Service (Cont'd)

7.4.3 Chargeable Optional Features and Functions (Cont'd)

F. Selective Signaling Arrangement

An arrangement that permits code selective ringing for up to ten codes on a multi-point service.

G. Public Packet Switching Network (PPSN) Interface Arrangement

An arrangement that provides the interface requirements that permit a voice grade service to interface with a Public Packet Switching Network packet switch located in a Company premises. The interface is compatible with X.25 and X.75 packet switching protocols as defined by the CCITT.

H. Four-Wire/Two-Wire Conversions

When a customer requests that an effective four-wire channel be terminated with a two-wire channel interface at the customer designated premises, a four-wire to two-wire conversion is required. The customer will be charged the four-wire Channel Termination rate as set forth in Section 13 when an effective four-wire is specified in the order for service. The rate for the conversion is included as part of the basic four-wire Channel Termination rate.

I. Improved Two-Wire Voice Transmission

1. Loss Deviation

The maximum Loss Deviation of the 1004 Hz loss relative to the Expected Measured Loss (EML) is -4.0 dB to +4.0 dB.

2. Attenuation Distortion

The maximum Attenuation Distortion in the 404 to 280 Hz frequency band relative to loss at 1004 Hz is -2.0 dB to +6.0 dB.

Tariff Advice 135-117

Issued to comply with Order No. 4 of the Regulatory Commission of Alaska in Docket No. U-13-188, dated April 22, 2014 Effective: February 20, 2015

Issued By: ACS OF FAIRBANKS, LLC

By: _____
Lisa Phillips

Title: Manager, Regulatory Affairs

ACS OF FAIRBANKS, LLC d/b/a ALASKA COMMUNICATIONS SYSTEMS,
ALASKA COMMUNICATIONS, ACS LOCAL SERVICE, AND ACS

ACCESS SERVICES

7. Special Access Service (Cont'd)

7.4 Voice Grade Service (Cont'd)

7.4.3 Chargeable Optional Features and Functions (Cont'd)

I. Improved Two-Wire Voice Transmission (Cont'd)

3. C-Message Noise

The maximum C-Message Noise for the transmission path at the route miles listed is less than:

| <u>Route Miles</u> | <u>C-Message Noise</u> |
|--------------------|------------------------|
| Less than 50 | 35 dBrnc |
| 51 to 100 | 37 dBrnc |
| 101 to 200 | 40 dBrnc |
| 201 to 400 | 43 dBrnc |
| 401 to 1000 | 45 dBrnc |

4. Return Loss

The Return Loss, expressed as Echo Return Loss ("ERL") and Signaling Return Loss ("SRL"), is equal to or greater than:

| | |
|-----|---------|
| ERL | 13.0 dB |
| SRL | 6.0 dBT |

The rate for the provision of Improved two-wire voice transmission is included as part of the basic Channel Termination rate.

7.5 Program Audio Service (Closed Circuit)

7.5.1 Basic Channel Description

A program audio channel is a channel with bandwidth measured in hz for the transmission of a complex signal voltage. The actual bandwidth is a function of the channel interface selected by the customer. Only one-way transmission is provided. Program audio channels are provided between customer designated premises or between customer designated premises and a Company hub or hubs.

Intrastate program audio service is for closed circuit application only.

Tariff Advice 135-117

Issued to comply with Order No. 4 of the Regulatory Commission of Alaska in Docket No. U-13-188, dated April 22, 2014 Effective: February 20, 2015

Issued By: ACS OF FAIRBANKS, LLC

By: _____
Lisa Phillips

Title: Manager, Regulatory Affairs

ACS OF FAIRBANKS, LLC d/b/a ALASKA COMMUNICATIONS SYSTEMS,
ALASKA COMMUNICATIONS, ACS LOCAL SERVICE, AND ACS

ACCESS SERVICES

7. Special Access Service (Cont'd)

7.5 Program Audio Service (Closed Circuit) (Cont'd)

7.5.2 Technical Specifications Packages and Network Channel Interfaces

Technical Specifications Packages are set forth in Section 11.2.1.D.
Compatible network channel interfaces are set forth in Section 11.2.2.C.2.

7.5.3 Optional Features and Functions

A. Central Office Bridging Capability

Distribution Amplifier

B. Gain Conditioning

Control of 1004 hz AML at initiation of service to 0 Db +0.5 Db

C. Stereo

Provision of a pair of gain/phase equalized channels for stereo applications. (An additional program audio channel must be ordered separately.)

The table set forth in Section 11.2.1.D shows the technical specifications packages with which the optional features and functions are available.

7.6.1. Basic Channel Description

A closed circuit video channel is a channel with one-way transmission capability for a standard 525 line/60 field monochrome, or National Television Systems Committee color, video signal and one or two associated 5 or 15 khz audio signal(s). The associated audio signal(s) may be either duplexed or provided as one or two separate channels. The provision and the bandwidth of the associated audio signal(s) is a function of the channel interface selected by the customer. Video channels are provided between customer designated premises or between a customer designated premises and a Company hub or hubs.

Tariff Advice 135-117

Issued to comply with Order No. 4 of the Regulatory Commission of Alaska in Docket No. U-13-188, dated April 22, 2014

Effective: February 20, 2015

Issued By: ACS OF FAIRBANKS, LLC

By:

Lisa Phillips

Title: Manager, Regulatory Affairs

ACS OF FAIRBANKS, LLC d/b/a ALASKA COMMUNICATIONS SYSTEMS,
ALASKA COMMUNICATIONS, ACS LOCAL SERVICE, AND ACS

ACCESS SERVICES

7. Special Access Service (Cont'd)

7.6 Video Service (Closed Circuit)

7.6.2 Technical Specifications Packages and Network Channel Interfaces

Technical Specifications Packages are set forth in Section 11.2.1.E.
Compatible network channel interfaces are set forth in Section 11.2.2.C.3.

The following network channel interfaces ("NCI") define the bandwidth and the
provision of the audio signal(s) associated with a video channel:

| <u>NCI</u> | <u>Audio Bandwidth</u> | <u>Provision</u> |
|------------|------------------------|----------------------|
| 2TV6-1 | 15kHz | 1 Channel, duplexed |
| 2TV6-2 | 15kHz | 2 Channels, duplexed |
| 2TV7-1 | 15kHz | 1 Channel, duplexed |
| 2TV7-2 | 15kHz | 2 Channels, duplexed |
| 4TV6-5 | 5kHz | 1 Channel, separate |
| 4TV6-15 | 15kHz | 1 Channel, separate |
| 4TV7-5 | 5kHz | 1 Channel, separate |
| 4TV7-15 | 15kHz | 1 Channel, separate |
| 6TV6-5 | 5kHz | 2 Channels, separate |
| 6TV6-15 | 15kHz | 2 Channels, separate |
| 6TV7-5 | 5kHz | 2 Channels, separate |
| 6TV7-15 | 15kHz | 2 Channels, separate |

Tariff Advice 135-117

Issued to comply with Order No. 4 of the Regulatory Commission of Alaska in Docket No. U-13-188, dated April 22, 2014 Effective: February 20, 2015

Issued By: ACS OF FAIRBANKS, LLC

By: _____
Lisa Phillips

Title: Manager, Regulatory Affairs

ACS OF FAIRBANKS, LLC d/b/a ALASKA COMMUNICATIONS SYSTEMS,
ALASKA COMMUNICATIONS, ACS LOCAL SERVICE, AND ACS

ACCESS SERVICES

7. Special Access Service (Cont'd)

7.7 Digital Data Service

7.7.1 Basic Channel Description

A digital data channel is a channel for duplex four-wire transmission of synchronous serial data at the rate of 2.4, 4.8, 9.6, 19.2, 56.0, or 64.0* kbps. The actual bit rate is a function of the channel interface selected by the customer. The channel provides a synchronous service with timing provided by the Company through the Company's facilities to the customer in the received bit stream. Digital data channels are provided as either hubbed or non-hubbed services between customer designated premises or between a customer designated premises and a Company hub or hubs.

The customer may provide the Channel Service Unit ("CSU")-type equipment or other Network Channel Terminating Equipment ("NCTE") associated with the digital data channel at the customer premises.

The Company will provide a channel capable of meeting a monthly average performance equal to or greater than 99.875% error-free seconds (if provided through a digital data hub) while the channel is in service, if it is measured through a CSU equivalent which is designed, manufactured, and maintained to conform with the specifications contained in Technical Reference GR-342-CORE.

*When 64.0 kbps service is multiplexed on a DS1 high capacity service, the DS1 must be equipped to provide Clear Channel Capability.

Tariff Advice 135-117

Issued to comply with Order No. 4 of the Regulatory Commission of Alaska in Docket No. U-13-188, dated April 22, 2014 Effective: February 20, 2015

Issued By: ACS OF FAIRBANKS, LLC

By: _____
Lisa Phillips

Title: Manager, Regulatory Affairs

ACS OF FAIRBANKS, LLC d/b/a ALASKA COMMUNICATIONS SYSTEMS,
ALASKA COMMUNICATIONS, ACS LOCAL SERVICE, AND ACS

ACCESS SERVICES

7. Special Access Service (Cont'd)

7.7 Digital Data Service (Cont'd)

7.7.2. Technical Specifications Packages and Network Channel Interfaces

Technical Specifications Packages and compatible channel interfaces are set forth in Section 11.2.2.C.4.

The following network channel interfaces ("NCI") define the bit rates that are available for a digital data channel:

| <u>NCI</u> | <u>Bit Rate</u> |
|------------|-----------------|
| DU-24 | 2.4 kbps |
| DU-48 | 4.8 kbps |
| DU-96 | 9.6 kbps |
| DU-19 | 19.2 kbps |
| DU-56 | 56.0 kbps |
| DU-64 | 64.0 kbps |

7.7.3 Chargeable Optional Features and Functions

The Optional Features and Functions described in Section 7.7.3.B and C are only available where digital data service is provided via a hub. The Optional Features and Functions described in Section 7.7.3.D are available where digital data service is provided on a non-hubbed basis.

A. Central Office Bridging Capability

Bridging is not available on a 64.0 kbps channel.

Tariff Advice 135-117

Issued to comply with Order No. 4 of the Regulatory Commission of Alaska in Docket No. U-13-188, dated April 22, 2014 Effective: February 20, 2015

Issued By: ACS OF FAIRBANKS, LLC

By: _____
Lisa Phillips

Title: Manager, Regulatory Affairs

ACS OF FAIRBANKS, LLC d/b/a ALASKA COMMUNICATIONS SYSTEMS,
ALASKA COMMUNICATIONS, ACS LOCAL SERVICE, AND ACS

ACCESS SERVICES

7. Special Access Service (Cont'd)

7.7 Digital Data Service (Cont'd)

7.7.4. Chargeable Optional Features and Functions (Cont'd)

B. Transfer Arrangement

An arrangement that affords the customer an additional measure of protection and/or flexibility in the use of their access channel(s) on a 1xN basis. The arrangement can be utilized to transfer a leg of a special access service to either a spare or working channel that terminates in either the same or a different customer designated premises. This arrangement is only available at a Company designated hub. A key activated or dial-up control service is required to operate the transfer arrangement. A spare channel, if required, is not included as a part of the option.

C. Public Packet Switching Network ("PPSN") Interface Arrangement

An arrangement that provides the interface requirements that permit a digital data service to interface with a Public Packet Switching Network packet switch located in a Company premises. The interface is compatible with X.25 and X.75 packet switching protocols as defined by the CCITT.

The table set forth in Section 11.2.1 shows the technical specifications packages with which the optional features and functions are available.

D. Public Packet Data Service Interface Arrangement

An arrangement that provides for the interface requirements that permit a digital data service to interface with a Public Packet Data switch located in a Company premises. The interface is compatible with Frame Relay packet switching protocols. The interface is only available for 56.0 kbps and 64.0 kbps rates.

The table set forth in Section 11.2.1 shows the technical specifications packages with which the optional features and functions are available.

Tariff Advice 135-117

Issued to comply with Order No. 4 of the Regulatory Commission of Alaska in Docket No. U-13-188, dated April 22, 2014 Effective: February 20, 2015

Issued By: ACS OF FAIRBANKS, LLC

By:

Lisa Phillips

Title: Manager, Regulatory Affairs

ACS OF FAIRBANKS, LLC d/b/a ALASKA COMMUNICATIONS SYSTEMS,
ALASKA COMMUNICATIONS, ACS LOCAL SERVICE, AND ACS

ACCESS SERVICES

7. Special Access Service (Cont'd)

7.8 High Capacity Service

7.8.1. Basic Channel Description

A high capacity channel is a channel for the transmission of nominal 64.0 kbps* or 1.544, 3.152, 6.132, 44.736, or 274.176 mbps isochronous serial data. The actual bit rate is a function of the channel interface selected by the customer. High capacity channels are provided between customer designated premises or between a customer designated premises and a Company hub or hubs.

The customer will provide the NCTE associated with the high capacity channel at the customer's premises.

A channel with technical specifications package HC1 will be capable of an error-free second performance of 98.75% over a continuous 24 hour period as measured at the 1.544 mbps rate through a CSU equivalent which is designed, manufactured, and maintained to conform with the specifications contained in Technical Reference PUB 62411.

*Available only as a channel of a 1.544 mbps facility to a Company digital data hub or as a cross connect of two 2.4, 4.8, 9.6, 56.0, or 64.0 kbps channels of two 1.544 mbps facilities to a digital data hub(s). The customer must provide system and channel assignment data.

Tariff Advice 135-117

Issued to comply with Order No. 4 of the Regulatory Commission of Alaska in Docket No. U-13-188, dated April 22, 2014 Effective: February 20, 2015

Issued By: ACS OF FAIRBANKS, LLC

By: _____
Lisa Phillips

Title: Manager, Regulatory Affairs

ACS OF FAIRBANKS, LLC d/b/a ALASKA COMMUNICATIONS SYSTEMS,
ALASKA COMMUNICATIONS, ACS LOCAL SERVICE, AND ACS

ACCESS SERVICES

7. Special Access Service (Cont'd)

7.8 High Capacity Service (Cont'd)

7.8.2. Technical Specifications Packages and Network Channel Interfaces

Technical Specifications Packages and compatible channel interfaces are set forth in Section 11.

The following network channel interfaces ("NCI") define the bit rates that are available for a High Capacity channel:

| <u>NCI</u> | <u>Bit Rate</u> |
|------------|--------------------|
| DS-15 | 1.544 mbps (DS1) |
| DS-27 | 274.176 mbps (DS4) |
| DS-31 | 3.152 mbps (DS1C) |
| DS-44 | 44.736 mbps (DS3) |
| DS-63 | 6.312 mbps (DS2) |

7.8.3 Chargeable Optional Features and Functions

A. Automatic Loop Transfer

The Automatic Loop Transfer provides protection on a 1xN basis against failure of the facilities between a customer designated premises and the wire center serving that premises. Protection is furnished through the use of a switching arrangement that automatically switches to a spare channel line when a working line fails. The spare channel is not included as a part of the option. This option requires compatible equipment at both the serving wire center and the customer designated premises. The customer is responsible for providing the equipment at its designated premises.

Tariff Advice 135-117

Issued to comply with Order No. 4 of the Regulatory Commission of Alaska in Docket No. U-13-188, dated April 22, 2014 Effective: February 20, 2015

Issued By: ACS OF FAIRBANKS, LLC

By: _____
Lisa Phillips

Title: Manager, Regulatory Affairs

ACS OF FAIRBANKS, LLC d/b/a ALASKA COMMUNICATIONS SYSTEMS,
ALASKA COMMUNICATIONS, ACS LOCAL SERVICE, AND ACS

ACCESS SERVICES

7. Special Access Service (Cont'd)

7.8 High Capacity Service (Cont'd)

7.8.3 Chargeable Optional Features and Functions (Cont'd)

B. Transfer Arrangement

An arrangement that affords the customer an additional measure of flexibility in the use of its access channel(s). The arrangement can be utilized to transfer a leg of a special access service to either a spare or working channel that terminates in either the same or a different customer designated premises. A key activated or dial-up control service is required to operate the transfer arrangement. A spare channel, if required, is not included as part of the option.

C. Central Office Multiplexing

1. DS4 to DS1

An arrangement that converts a 274.176 mbps channel to 168 DS1 channels using digital time division multiplexing.

2. DS3 to DS1

An arrangement that converts a 44.736 mbps channel to 28 DS1 channels using digital time division multiplexing.

3. DS2 to DS1

An arrangement that converts a 6.312 mbps channel to four DS1 channels using digital time division multiplexing.

4. DS1C to DS1

An arrangement that converts a 3.152 mbps channel to two DS1 channels using digital time division multiplexing.

5. DS1 to Voice

An arrangement that converts a 1.544 mbps channel to 24 channels for use with voice grade services. A channel(s) of this DS1 to the hub can also be used for a digital data service.

Tariff Advice 135-117

Issued to comply with Order No. 4 of the Regulatory Commission of Alaska in Docket No. U-13-188, dated April 22, 2014 Effective: February 20, 2015

Issued By: ACS OF FAIRBANKS, LLC

By:

Lisa Phillips

Title: Manager, Regulatory Affairs

ACS OF FAIRBANKS, LLC d/b/a ALASKA COMMUNICATIONS SYSTEMS,
ALASKA COMMUNICATIONS, ACS LOCAL SERVICE, AND ACS

ACCESS SERVICES

7. Special Access Service (Cont'd)

7.8 High Capacity Service (Cont'd)

7.8.3. Chargeable Optional Features and Functions (Cont'd)

C. Central Office Multiplexing (Cont'd)

6. DS1 to DS0

An arrangement that converts a 1.544 mbps channel to 23 64.0 kbps channels utilizing digital time division multiplexing.

7. DS0 to Subrate

An arrangement that converts a 64.0 kbps channel to subspeeds of up to twenty 2.4 kbps, ten 4.8 kbps, or five 9.6 kbps channels using digital time division multiplexing.

The table set forth in Section 11.1, shows the technical specifications packages with which the optional features and functions are available.

Tariff Advice 135-117

Issued to comply with Order No. 4 of the Regulatory Commission of Alaska in Docket No. U-13-188, dated April 22, 2014 Effective: February 20, 2015

Issued By: ACS OF FAIRBANKS, LLC

By:

Lisa Phillips

Title: Manager, Regulatory Affairs

ACS OF FAIRBANKS, LLC d/b/a ALASKA COMMUNICATIONS SYSTEMS,
ALASKA COMMUNICATIONS, ACS LOCAL SERVICE, AND ACS

ACCESS SERVICES

8. SPECIAL FACILITIES AND SPECIALIZED SERVICES

8.1 Description

The services provided under this tariff are provided over such routes and facilities as the Company may elect. Special Facilities Routing is involved when, in order to comply with requirements specified by the customer, the Company provides switched access service or special access service in a manner which includes one or more of the following conditions:

8.1.1 Diversity

Two or more circuits must be provided over not more than two different physical routes.

8.1.2 Avoidance

A circuit(s) must be provided on a route that avoids specified geographical locations.

8.1.3 Diversity and Avoidance Combined

8.1.4 Cable-Only Facilities

Certain voice grade services are provided on cable-only facilities to meet the particular needs of a customer.

Service is provided subject to the availability of cable-only facilities. In the event of service failure, restoration will be made through the use of any available facilities as selected by the Company.

Avoidance and diversity are available on switched access service as set forth in Section 6; metallic, telegraph grade, and voice grade special access services as set forth in Section 7.4. Cable-only facilities are available for switched access service as set forth in Section 6 on an Individual Case Basis.

Tariff Advice 135-117

Issued to comply with Order No. 4 of the Regulatory Commission of Alaska in Docket No. U-13-188, dated April 22, 2014 Effective: February 20, 2015

Issued By: ACS OF FAIRBANKS, LLC

By: _____
Lisa Phillips

Title: Manager, Regulatory Affairs

ACS OF FAIRBANKS, LLC d/b/a ALASKA COMMUNICATIONS SYSTEMS,
ALASKA COMMUNICATIONS, ACS LOCAL SERVICE, AND ACS

ACCESS SERVICES

8. SPECIAL FACILITIES AND SPECIALIZED SERVICES

8.1 Description (Cont'd)

In order to avoid the compromise of special routing information, the Company will provide the required routing information for each specially routed service to only ordering customer. If requested by customer, this information will be provided when service is installed and prior to any subsequent changes in routing.

The rates and charges for special facilities routing of access services are developed on an individual case basis. Such rates and charges are in addition to all other rates and charges that may be applicable for services provided under other sections of this tariff.

8.2 Specialized Service or Arrangements

Specialized Service or Arrangements may be provided by the Company, at the request of a customer, on an individual case basis if such service or arrangements meet the following criteria:

1. The requested service or arrangements are not offered under other sections of this tariff.
2. The facilities utilized to provide the requested service or arrangements are of a type normally used by the Company in furnishing its other services.
3. The requested service or arrangements are compatible with other Company services, facilities, and its engineering and maintenance practices.
4. This offering is subject to the availability of the necessary Company personnel and capital resources.

Rates, charges, and additional regulations if applicable, for Specialized Service or Arrangements are provided on an individual case basis.

Tariff Advice 135-117

Issued to comply with Order No. 4 of the Regulatory Commission of Alaska in Docket No. U-13-188, dated April 22, 2014 Effective: February 20, 2015

Issued By: ACS OF FAIRBANKS, LLC

By: _____
Lisa Phillips

Title: Manager, Regulatory Affairs

ACS OF FAIRBANKS, LLC d/b/a ALASKA COMMUNICATIONS SYSTEMS,
ALASKA COMMUNICATIONS, ACS LOCAL SERVICE, AND ACS

ACCESS SERVICES

ADDITIONAL ENGINEERING, ADDITIONAL LABOR AND MISCELLANEOUS SERVICES

In this section, normally scheduled working hours are an employee's scheduled work period on any given business day which totals eight (8) hours. Any additional engineering, additional labor, and/or miscellaneous services requested by the customer will be billed on a time and material basis by the Company.

9.1 Additional Engineering

Additional Engineering will be provided by the Company at the request of the customer when:

- A. A customer requests additional technical information after the Company has already provided the technical information normally included on the Design Layout Report ("DLR") as set forth in Section 6.6.7 and 7.1.6.
- B. Additional engineering time is incurred by the Company to engineer a customer's request for a customized service as set forth in Section 7.1.2, or for Telecommunication Priority Service set forth in Section 9.3.3.

The Company will notify the customer that additional engineering charges will apply before any additional engineering is undertaken.

9.2 Additional Labor

Additional labor is that labor requested by the customer on a given service and agreed to by the Company. The Company will notify the customer that additional labor charges will apply before any additional labor is undertaken. Additional labor charges apply to the services described in Sections 9.2.1 through 9.2.6.

9.2.1 Overtime Installation

Overtime installation is that Company installation effort outside of normally scheduled working hours.

9.2.2 Overtime Repair

Overtime repair is that Company maintenance effort performed outside of normally scheduled working hours.

Tariff Advice 135-117

Issued to comply with Order No. 4 of the Regulatory Commission of Alaska in Docket No. U-13-188, dated April 22, 2014 Effective: February 20, 2015

Issued By: ACS OF FAIRBANKS, LLC

By:

Lisa Phillips

Title: Manager, Regulatory Affairs

ACS OF FAIRBANKS, LLC d/b/a ALASKA COMMUNICATIONS SYSTEMS,
ALASKA COMMUNICATIONS, ACS LOCAL SERVICE, AND ACS

ACCESS SERVICES

9. ADDITIONAL ENGINEERING, ADDITIONAL LABOR AND MISCELLANEOUS SERVICES
(Cont'd)

9.2 Additional Labor (Cont'd)

9.2.3 Standby

Stand by includes all time in excess of one-half (1/2) hour during which Company personnel stand by to make installation acceptance tests or cooperative tests with a customer.

9.2.4 Testing and Maintenance with Other Companies

Additional labor charges apply for additional testing, maintenance or repair of facilities that connect to facilities of other companies. This is in addition to the normal effort required to test, maintain or repair facilities provided solely by the Company.

9.2.5 Testing Services

Testing Services other than those described in other parts of this tariff will be provided on a time and material basis, if requested by the customer. Testing will be provided subject to the availability of equipment and qualified personnel.

9.2.6 Other Labor

Other labor is that additional labor incurred to accommodate a specific customer request that involves labor that is not covered by any other section of this tariff. It also covers additional labor necessary to meet customer requests as described in Section 5. Other Labor includes, but is not limited to, the provisioning to the customer, additional or duplicate reports or documents previously provided to the customer. Charges will be developed on a time and material basis.

Tariff Advice 135-117

Issued to comply with Order No. 4 of the Regulatory Commission of Alaska in Docket No. U-13-188, dated April 22, 2014 Effective: February 20, 2015

Issued By: ACS OF FAIRBANKS, LLC

By: _____
Lisa Phillips

Title: Manager, Regulatory Affairs

ACS OF FAIRBANKS, LLC d/b/a ALASKA COMMUNICATIONS SYSTEMS,
ALASKA COMMUNICATIONS, ACS LOCAL SERVICE, AND ACS

ACCESS SERVICES

9. ADDITIONAL ENGINEERING, ADDITIONAL LABOR AND MISCELLANEOUS SERVICES
(Cont'd)

9.3 Miscellaneous Services

9.3.1 Testing Services

Testing services offered under this section of the tariff are optional and will be billed to the customer on a time and material basis by the Company. Other testing services, as described in Section 6.6.7, are provided by the Company in association with access services and are furnished at no additional charge.

Testing services are normally provided by Company personnel at Company locations. However, provisions are made in Section 9.3.1.B.2 for a customer to request Company personnel to perform testing services at the customer designated premises.

The offering of testing services under this section of the tariff is made subject to the availability of the necessary qualified personnel and test equipment at the various test locations.

A. Switched Access Service

Testing Services for switched access are comprised of:

- a. tests which are performed during the installation of a switched access service, i.e. Acceptance Tests;
- b. tests which are performed after customer acceptance of such access services and which are without charge i.e., routine testing; and
- c. additional tests which are performed during or after customer acceptance of such access services and for which additional charges apply, i.e., Additional Cooperative Acceptance Tests and in-service tests.

Routine tests are those tests performed by the Company on a regular basis, as set forth in Section 6.8 that are required to maintain switched access service. Additional in-service tests may be done on an automatic basis (no Company or customer technicians involved), on a manual basis (Company technicians(s) involved at Company office(s) and Company or customer technicians(s) involved at the customer designated premises).

Tariff Advice 135-117

Issued to comply with Order No. 4 of the Regulatory Commission of Alaska in Docket No. U-13-188, dated April 22, 2014 Effective: February 20, 2015

Issued By: ACS OF FAIRBANKS, LLC

By: _____
Lisa Phillips

Title: Manager, Regulatory Affairs

ACS OF FAIRBANKS, LLC d/b/a ALASKA COMMUNICATIONS SYSTEMS,
ALASKA COMMUNICATIONS, ACS LOCAL SERVICE, AND ACS

ACCESS SERVICES

9. ADDITIONAL ENGINEERING, ADDITIONAL LABOR AND MISCELLANEOUS SERVICES
(Cont'd)

9.3 Miscellaneous Services

9.3.1 Testing Services (Cont'd)

A. Switched Access Service (Cont'd)

Testing services are ordered to the dial tone office for FGA, to the access tandem or end office for FGB (wherever the FGB service is ordered) and to the end office for FGs C and D. Testing services for Directory Assistance service not routed through an access tandem is ordered to a Directory Assistance location for each NPA.

1. Additional Cooperative Acceptance Testing

Additional Cooperative Acceptance Testing of switched access service involves the Company provision of a technician at its office(s) and the customer provision of a technician at its premises, with suitable test equipment to perform the required tests.

Additional Cooperative Acceptance Tests may, for example, consist of the following tests:

- a. Impulse Noise
- b. Phase Jitter
- c. Signal to C-Notched Noise Ratio
- d. Intermodulation (Nonlinear) Distortion
- e. Frequency Shift (Offset)
- f. Envelope Delay Distortion
- g. Dial Pulse Percent Break

Tariff Advice 135-117

Issued to comply with Order No. 4 of the Regulatory Commission of Alaska in Docket No. U-13-188, dated April 22, 2014 Effective: February 20, 2015

Issued By: ACS OF FAIRBANKS, LLC

By: _____
Lisa Phillips

Title: Manager, Regulatory Affairs

ACS OF FAIRBANKS, LLC d/b/a ALASKA COMMUNICATIONS SYSTEMS,
ALASKA COMMUNICATIONS, ACS LOCAL SERVICE, AND ACS

ACCESS SERVICES

9. ADDITIONAL ENGINEERING, ADDITIONAL LABOR AND MISCELLANEOUS SERVICES
(Cont'd)

9.3 Miscellaneous Services

9.3.1 Testing Services (Cont'd)

A. Switched Access Service (Cont'd)

2. Additional Automatic Testing

Additional Automatic Testing ("AAT") of switched access services (feature groups B and D), is a service where the customer provides remote office test lines and 105 test lines with associated responders or their functional equivalent. The customer may order, at additional charges, gain-slope and C-notched noise testing and may order the routine tests (1004 Hz loss, C-Message Noise and Balance) on an as needed or more than routine schedule.

The Company will provide an AAT report that lists the test results for each trunk tested. Trunk test failures requiring customer participation for trouble resolution will be provided to the customer on an as-occurs basis.

The additional tests, (i.e., gain slope, C-notched noise, 1004 Hz loss, C-message noise and balance) may be ordered by the customer at additional charges, 60 days prior to the start of the customer prescribed schedule. Additional tests will be provided on a time and material basis and billed to the customer by the Company.

3. Additional Manual Testing

Additional Manual Testing ("AMT") of switched access services (feature groups A, B, and D and Directory Access service not routed through an access tandem), is a service where the Company provided a technician at its office(s) and the Company or customer provides a technician at the customer designated premises, with suitable test equipment to perform the required tests. Such additional tests will normally consist of gain-slope and C-notched noise testing. However, the Company will conduct any additional tests that the IXC may request.

Tariff Advice 135-117

Issued to comply with Order No. 4 of the Regulatory Commission of Alaska in Docket No. U-13-188, dated April 22, 2014 Effective: February 20, 2015

Issued By: ACS OF FAIRBANKS, LLC

By: _____
Lisa Phillips

Title: Manager, Regulatory Affairs

ACS OF FAIRBANKS, LLC d/b/a ALASKA COMMUNICATIONS SYSTEMS,
ALASKA COMMUNICATIONS, ACS LOCAL SERVICE, AND ACS

ACCESS SERVICES

9. ADDITIONAL ENGINEERING, ADDITIONAL LABOR AND MISCELLANEOUS SERVICES
(Cont'd)

9.3 Miscellaneous Services

9.3.1 Testing Services (Cont'd)

A. Switched Access Service (Cont'd)

3. Additional Manual Testing (Cont'd)

The Company will provide an AMT report listing the test results for each trunk tested. Trunk test failures requiring customer participation for trouble resolution will be provided to the customer on a per occurrence basis.

The Additional Manual Tests may be ordered by the customer at additional charges, 60 days prior to the start of the testing schedule as mutually agreed to by the customer and the Company.

Additional Manual Tests will be provided on a time and material basis and billed to the customer by the Company.

4. Obligations of the Customer

a. The customer shall provide the remote office test line priming data to the Company, as appropriate, to support routine testing as set forth in Section 6.6.7 or AAT as set forth in Section 9.3.1.

b. The customer shall make the facilities to be tested available to the Company at times mutually agreed upon.

B. Special Access Service

The Company will provide assistance in performing specific tests requested by the customer.

Tariff Advice 135-117

Issued to comply with Order No. 4 of the Regulatory Commission of Alaska in Docket No. U-13-188, dated April 22, 2014 Effective: February 20, 2015

Issued By: ACS OF FAIRBANKS, LLC

By: _____
Lisa Phillips

Title: Manager, Regulatory Affairs

ACS OF FAIRBANKS, LLC d/b/a ALASKA COMMUNICATIONS SYSTEMS,
ALASKA COMMUNICATIONS, ACS LOCAL SERVICE, AND ACS

ACCESS SERVICES

9. ADDITIONAL ENGINEERING, ADDITIONAL LABOR AND MISCELLANEOUS SERVICES
(Cont'd)

9.3 Miscellaneous Services

9.3.1 Testing Services (Cont'd)

B. Special Access Service (Cont'd)

1. Additional Cooperative Acceptance Testing

When a customer provides a technician at its premises or at an end user's premises, with suitable test equipment to perform the requested tests, the Company will provide a technician at its office for the purpose of conducting Additional Cooperative Acceptance Testing on voice grade services. At the customer's request, the Company may provide a technician at the customer's premises or at the end user premises. These tests may, for example, consist of the following:

- a. Attenuation Distortion (i.e., frequency response)
- b. Intermodulation Distortion (i.e., harmonic distortion)
- c. Phase Jitter
- d. Impulse Noise
- e. Envelope Delay Distortion
- f. Echo Control
- g. Frequency Shift

2. Additional Manual Testing

The Company will provide a technician at its premises, and the Company or customer will provide a technician at the customer's designated premises with suitable test equipment to perform the requested tests.

3. Obligation of the Customer

When the customer subscribes to testing services as set forth in this section, the customer shall make the facilities to be tested available to the Company.

Tariff Advice 135-117

Issued to comply with Order No. 4 of the Regulatory Commission of Alaska in Docket No. U-13-188, dated April 22, 2014 Effective: February 20, 2015

Issued By: ACS OF FAIRBANKS, LLC

By: _____
Lisa Phillips

Title: Manager, Regulatory Affairs

ACS OF FAIRBANKS, LLC d/b/a ALASKA COMMUNICATIONS SYSTEMS,
ALASKA COMMUNICATIONS, ACS LOCAL SERVICE, AND ACS

ACCESS SERVICES

9. ADDITIONAL ENGINEERING, ADDITIONAL LABOR AND MISCELLANEOUS SERVICES
(Cont'd)

9.3 Miscellaneous Services

9.3.2 Maintenance of Service

- A. When a customer reports a trouble to the Company for clearance and no trouble is found in the Company's facilities, the customer shall be responsible for payment of a maintenance of service charge developed on a time and material basis for the period of time from when Company personnel are dispatched, at the request of the customer, to the customer designated premises to when the work is completed. Failure of Company personnel to find trouble in Company facilities will result in no charge if the trouble is actually in those facilities, but not discovered at the time.
- B. The customer shall be responsible for payment of a maintenance of service charge when the Company dispatches personnel to the customer designated premises, and the trouble is in equipment or communications systems provided by other than the Company or in the customer's CPE.

In Section 7.3.2, no credit allowance will be applicable for the interruption involved if the maintenance of service charge applies.

9.3.3 Telecommunications Service Priority – TSP

- A. Priority installation and/or restoration of National Security Emergency Preparedness ("NSEP") telecommunications service shall be provided in accordance with 47 CFR Part 64.401, Appendix A, of the Federal Communications Commission's Rules and Regulations.

In addition, TSP system service shall be provided in accordance with the guidelines set forth in "Telecommunications Service Priority" ("TSP") system for National Security Emergency Preparedness ("NSEP") Service Vendor Handbook" (NCSH 3-1-2) dated July 9, 1990, and "Telecommunication Service Priority System for National Security Emergency Preparedness Service User Manual" (NCSM 3-1-1).

Tariff Advice 135-117

Issued to comply with Order No. 4 of the Regulatory Commission of Alaska in Docket No. U-13-188, dated April 22, 2014 Effective: February 20, 2015

Issued By: ACS OF FAIRBANKS, LLC

By: _____
Lisa Phillips

Title: Manager, Regulatory Affairs

ACS OF FAIRBANKS, LLC d/b/a ALASKA COMMUNICATIONS SYSTEMS,
ALASKA COMMUNICATIONS, ACS LOCAL SERVICE, AND ACS

ACCESS SERVICES

9. ADDITIONAL ENGINEERING, ADDITIONAL LABOR AND MISCELLANEOUS SERVICES (Cont'd)

9.3 Miscellaneous Services

9.3.3 Telecommunications Service Priority – TSP (Cont'd)

A. (Cont'd)

The TSP system is a service, developed to meet the requirements of the federal government, as specified in the Service Vendor's Handbook and Service User's Manual which provides the regulatory, administrative and operational framework for the priority installation and/or restoration of NSEP telecommunications services. These include both switched and special access services. The TSP system applies only to NSEP telecommunications services, and requires and authorizes priority action by the Company providing such services.

For switched access service, the TSP system's applicability is limited to those services that the Company can discretely identify for priority provisioning and/or restoration.

B. A Telecommunications Service Priority charge applies as set forth in Section 13.2.1 when a request to provide or change a Telecommunications Service Priority is received subsequent to the issuance of an access order to install the service.

A Telecommunications Service Priority charge does not apply when a Telecommunications Service Priority is discontinued or when ordered coincident with an access order to install or change service.

A Miscellaneous Service Order charge as set forth in Section 13.2.1 will apply to Telecommunications Service Priority requests that are ordered subsequent to the initial installation of the associated access service.

Time and materials charges may be applicable when provisioning or restoring switched or special access services with Telecommunications Service Priority and will be billed to the customer by the Company, in accordance with Sections 9 and 13.5.*

- Any company specific time and materials charges for TSP access not expressly shown in this tariff will be identified by the utility prior to commencement of service. All such access rates are subject to RCA approval.

Tariff Advice 135-117

Issued to comply with Order No. 4 of the Regulatory Commission of Alaska in Docket No. U-13-188, dated April 22, 2014 Effective: February 20, 2015

Issued By: ACS OF FAIRBANKS, LLC

By:

Lisa Phillips

Title: Manager, Regulatory Affairs

ACS OF FAIRBANKS, LLC d/b/a ALASKA COMMUNICATIONS SYSTEMS,
ALASKA COMMUNICATIONS, ACS LOCAL SERVICE, AND ACS

ACCESS SERVICES

9. ADDITIONAL ENGINEERING, ADDITIONAL LABOR AND MISCELLANEOUS SERVICES (Cont'd)

9.3 Miscellaneous Services (Cont'd)

9.3.3 Telecommunications Service Priority – TSP (Cont'd)

B. (Cont'd)

A Telecommunications Service Priority monthly charge will apply as set forth in Section 13.2.2 to monitor and maintain database accuracy.

When the customer requests an audit or a reconciliation of the Company's Telecommunications Service Priority records, a Miscellaneous Service Order charge as set forth in Section 13.2.1 will be applied. Additional labor rate charges, if applicable, will be billed to the customer by the Company.

9.3.4. Access to Intrastate Interexchange Carriers.

The Company will provide equal access interconnection to intrastate interexchange carriers according to the procedures and schedules identified in this section. Presubscription and access rules applicable to end users are also explained in this section. Presubscription is the process by which end users may select and designate to the Company an IXC to access, without an access code, for interexchange calls. Depending upon availability, the end user may presubscribe to different IXCs for interstate and intrastate calls.

A. End users may select one of the following options at no charge:

- a primary interstate IXC for all of its lines;
- a primary intrastate IXC for all of its lines;
- different interstate IXC for each of its lines; or
- a different intrastate IXC for each of its lines.

Only one interstate or intrastate IXC may be selected for each line or lines terminating in the same hunt group

End users may designate that they do not want to presubscribe to any IXC. The end user must arrange this designation by directly notifying the local exchange carrier's business office. This choice will require the end user to dial an access code (10XXX) for all interstate or intrastate calls.

After the end user's initial selection of a predesignated IXC or the designation that they do not want to presubscribe to any IXC, for any change in selection after conversion to Equal Access in the serving end office, a nonrecurring charge, as set forth in Section 13.2.4 applies.

Tariff Advice 135-117

Issued to comply with Order No. 4 of the Regulatory Commission of Alaska in Docket No. U-13-188, dated April 22, 2014 Effective: February 20, 2015

Issued By: ACS OF FAIRBANKS, LLC

By:

Lisa Phillips

Title: Manager, Regulatory Affairs

ACS OF FAIRBANKS, LLC d/b/a ALASKA COMMUNICATIONS SYSTEMS,
ALASKA COMMUNICATIONS, ACS LOCAL SERVICE, AND ACS

ACCESS SERVICES

9. ADDITIONAL ENGINEERING, ADDITIONAL LABOR AND MISCELLANEOUS SERVICES (Cont'd)

9.3 Miscellaneous Services (Cont'd)

9.3.4 Access to Intrastate Interexchange Carriers (Cont'd)

A. (Cont'd)

Only one interstate IXC and one intrastate IXC may be selected for each individual line, or lines terminating in the same hunt group.

Subsequent to the installation of Telephone Exchange Service and after the end user's initial selection of predesignated IXC(s), for any change in selection, a nonrecurring charge, as set forth in 13.2.4 following, applies.

B. Customer Notice of Access Options and Presubscription

1. For a period of three years after the Company initially provides 2-PIC dialing, it will annually include in its periodic billings or in a separate mailing a notice to end users listing available intrastate interexchange carriers and explaining the actions that must be taken to change carriers and the cost of making the change. Each intrastate interexchange carrier listed on the notice will be billed by the Company for an equal share of the cost of noticing.

9.3.5 Blocking Service

A. 900 Blocking Service

The Company will provide 900 Blocking Service to customers who obtain intrastate feature group A switched access service under this tariff. This service is only provided at appropriately equipped end offices. Those offices providing 900 Blocking Service are identified in National Exchange Carriers Association, Inc. Tariff FCC. No. 4.

On each line for which 900 Blocking Service is ordered, the Company will block all direct dialed calls placed to a 900 number. When capable, the Company will route the blocked calls to a recorded message.

900 Blocking Service is provided free of charge to subscribers. However, when a subscriber requests to end the 900 Blocking Service, the Miscellaneous Service Order charge will apply. The charge does not apply when blocking is removed from a feature group A switched access line at the same time it is disconnected.

Tariff Advice 135-117

Issued to comply with Order No. 4 of the Regulatory Commission of Alaska in Docket No. U-13-188, dated April 22, 2014 Effective: February 20, 2015

Issued By: ACS OF FAIRBANKS, LLC

By: _____
Lisa Phillips

Title: Manager, Regulatory Affairs

ACS OF FAIRBANKS, LLC d/b/a ALASKA COMMUNICATIONS SYSTEMS,
ALASKA COMMUNICATIONS, ACS LOCAL SERVICE, AND ACS

ACCESS SERVICES

10. Special Construction

10.1 General

This section addresses special construction of Company facilities that are used to provide services offered under this tariff.

When special construction is required as described in Section 10.2, the provisions of this section apply in addition to regulations, rates, and charges set forth in other sections of this tariff.

Charges will be computed for each specific application of special Construction. The customer will provide written authorization to the Company prior to the commencement of any special construction. The computed charges for special construction will be based upon time and materials. The Company will notify the customer when special construction is required. A deposit of fifty percent (50%) of the Company estimated costs is required before the commencement of construction. The balance will be due upon completion.

10.2 Conditions Requiring Special Construction

Special construction is required when suitable facilities are not available to meet a customer's order for service and one or more of the following conditions exist:

- The Company has no other requirement for the facilities constructed at the customer's request;
- The customer requests that service be furnished using a type of facility, or via a route, other than that which the Company would otherwise utilize in furnishing the requested service;
- The customer requests the construction of more facilities than are required to satisfy its order for service; or
- The customer requests construction be expedited resulting in added cost to the Company.

Tariff Advice 135-117

Issued to comply with Order No. 4 of the Regulatory Commission of Alaska in Docket No. U-13-188, dated April 22, 2014 Effective: February 20, 2015

Issued By: ACS OF FAIRBANKS, LLC

By:

Lisa Phillips

Title: Manager, Regulatory Affairs

ACS OF FAIRBANKS, LLC d/b/a ALASKA COMMUNICATIONS SYSTEMS,
ALASKA COMMUNICATIONS, ACS LOCAL SERVICE, AND ACS

ACCESS SERVICES

11. Access Service Interfaces and Transmission Specifications

Section 11.1 contains switched access service options (which are comprised of Interface Groups, Supervisory Signaling, Entry Switch Receive Level, and Local Transport Termination) and Transmission Specifications. Section 11.2 describes special access service Network Channel ("NC") codes and Network Channel Interface ("NCI") codes.

11.1 Switched Access Service

Ten Interface Groups are provided for terminating the transport at the customer's designated premises. Each Interface Group provides a specified premises interface (e.g., two-wire, four-wire, DS1, etc.). Where transmission facilities permit, the individual transmission path between the customer's designated premises and the first point of switching may, at the option of the customer, be provided with optional features as set forth in Section 11.1.1.

As a result of the customer's access order and type of Company transport facilities serving the customer designated premises, the need for signaling conversions or two-wire to four-wire conversions, or the need to terminate digital or high frequency facilities in channel bank equipment may require that Company equipment be placed at the customer designated premises. For example, if a voice frequency interface is ordered by the customer and the Company facilities serving the customer designated premises are digital, then Company channel bank equipment must be placed at the customer designated premises in order to provide the voice frequency ordered by the customer.

11.1.1 Transport Interface Groups

Interface Groups are combinations of technical parameters that describe the Company handoff at the point of termination at the customer designated premises. The technical specifications concerning the available interface groups are set forth in Sections 11.1.1.A through D.

Interface Group 1 is provided with type C Transmission Specifications, as set forth in Section 11.1.2.C, and Interface Groups 2 through 10 are provided with type A or B Transmission Specifications, as set forth respectively in Section 11.1.2.E and F, depending on the feature group and whether the access service is routed directly or through an access tandem. All Interface Groups are provided with data transmission parameters.

Tariff Advice 135-117

Issued to comply with Order No. 4 of the Regulatory Commission of
Alaska in Docket No. U-13-188, dated April 22, 2014

Effective: February 20, 2015

Issued By: ACS OF FAIRBANKS, LLC

By:

Lisa Phillips

Title: Manager, Regulatory Affairs

ACS OF FAIRBANKS, LLC d/b/a ALASKA COMMUNICATIONS SYSTEMS,
ALASKA COMMUNICATIONS, ACS LOCAL SERVICE, AND ACS

ACCESS SERVICES

11. Access Service Interfaces and Transmission Specifications (Cont'd)

11.1 Switched Access Service (Cont'd)

11.1.1 Transport Interface Groups (Cont'd)

Only certain premises interfaces are available at the customer designated premises. The premises interfaces associated with the Interface Groups may vary among feature groups.

A. Interface Group 1

Interface Group 1, except as set forth in the following, provides two-wire voice frequency transmission at the point of termination at the customer designated premises. The interface is capable of transmission of voice and associated telephone signals within the frequency bandwidth of approximately 300 to 3000 Hz.

Interface Group 1 is not provided in association with and FGD when the first point of switching is an access tandem. In addition, Interface Group 1 is not provided in association with FGB or FGD when the first point of switching provides only four-wire terminations.

The transmission path between the point of termination at the customer designated premises and the first point of switching may be comprised of any form or configuration of plant capable of and typically used in the telecommunications industry for the transmission of voice and associated telephone signals within the frequency bandwidth of 300 to 3000 hz.

The interface is provided with loop supervisory signaling. When the interface is associated with FGA, such signaling will be loop start or ground start signaling. When the interface is associated with FGB or FGD, such signaling except for two-way calling which is E&M signaling, will be reverse battery signaling.

Tariff Advice 135-117

Issued to comply with Order No. 4 of the Regulatory Commission of
Alaska in Docket No. U-13-188, dated April 22, 2014

Effective: February 20, 2015

Issued By: ACS OF FAIRBANKS, LLC

By:

Lisa Phillips

Title: Manager, Regulatory Affairs

ACS OF FAIRBANKS, LLC d/b/a ALASKA COMMUNICATIONS SYSTEMS,
ALASKA COMMUNICATIONS, ACS LOCAL SERVICE, AND ACS

ACCESS SERVICES

11. Access Service Interfaces and Transmission Specifications (Cont'd)

11.1 Switched Access Service (Cont'd)

11.1.1 Transport Interface Groups (Cont'd)

B. Interface Group 2

Interface Group 2 provides four-wire voice frequency transmission at the point of termination at the customer designated premises. The interface is capable of transmission of voice and associated telephone signals within the frequency bandwidth of approximately 300 to 3000 hz.

The transmission path between the point of termination at the customer designate premises and the first point of switching may be comprised of any form or configuration of plant capable of and typically used in the telecommunications industry for the transmission of voice and associated telephone signals within the frequency bandwidth of approximately 300 to 3000 hz.

The interface is provided with loop supervisory signaling. When the interface is associated with FGA, such signaling will be loop start or ground start signaling. When the interface is associated with FGB or FGD, such signaling, except for two-way calling which is E&M signaling, will be reverse battery signaling.

C. Interface Groups 3 through 5

Interface Groups 3 through 5 provide analog transmission at the point of termination at the customer designated premises. The various interfaces are capable of transmitting electrical signals at the frequencies illustrated following, with the capability to channelize voice frequency transmission paths. Certain frequencies within the bandwidth of the Interface Groups are reserved for Company use, e.g., pilot and carrier group alarm tones. Before the first point of switching, the Company will provide multiplex equipment to derive the transmission paths of frequency bandwidth of approximately 300 to 3000 hz.

The interfaces are provided with individual transmission path SF supervisory signaling.

| <u>Interface Group Identification No.</u> | <u>Transmission Frequency Bandwidth</u> | <u>Analog Hierarch Level</u> | <u>Maximum No. of Channelized Voice Freq. Trans. Paths</u> |
|---|---|------------------------------|--|
| 3 | 60-108 kHz | Group | 12 |
| 4 | 312-552 kHz | Supergroup | 60 |
| 5 | 564-3084 kHz | Mastergroup | 600 |

Tariff Advice 135-117

Issued to comply with Order No. 4 of the Regulatory Commission of Alaska in Docket No. U-13-188, dated April 22, 2014

Effective: February 20, 2015

Issued By: ACS OF FAIRBANKS, LLC

By: _____
Lisa Phillips

Title: Manager, Regulatory Affairs

ACS OF FAIRBANKS, LLC d/b/a ALASKA COMMUNICATIONS SYSTEMS,
ALASKA COMMUNICATIONS, ACS LOCAL SERVICE, AND ACS

ACCESS SERVICES

11. Access Service Interfaces and Transmission Specifications (Cont'd)

11.1 Switched Access Service (Cont'd)

11.1.1 Transport Interface Groups (Cont'd)

D. Interface Groups 6 through 10

Interface Groups 6 through 10 provide digital transmission at the point of termination at the customer designated premises. The various interfaces are capable of transmitting electrical signals at the nominal bit rates illustrated following, with the capability to channelize voice frequency transmission paths. Before the first point of switching, when analog switching utilizing analog terminations is provided, the Company will provide multiplex and channel bank equipment to derive transmission paths of a frequency bandwidth of approximately 300 to 3000 Hz. When digital switching or analog switching with digital carrier terminations is provided, the Company will provide, at the first point of switching, a DS1 signal(s) in D3/D4 format.

The interfaces are provided with individual transmission path bit stream supervisory signaling.

| <u>Interface Group Identification No.</u> | <u>Normal Bit Rate (Mbps)</u> | <u>Digital Hierarchy Level</u> | <u>Max No. of Channelized Voice Freq. Trans. Paths</u> |
|---|-------------------------------|--------------------------------|--|
| 6 | 1.544 | DS1 | 24 |
| 7 | 3.152 | DS1C | 48 |
| 8 | 6.312 | DS2 | 96 |
| 9 | 44.736 | DS3 | 672 |
| 10 | 274.176 | DS4 | 4032 |

Tariff Advice 135-117

Issued to comply with Order No. 4 of the Regulatory Commission of Alaska in Docket No. U-13-188, dated April 22, 2014

Effective: February 20, 2015

Issued By: ACS OF FAIRBANKS, LLC

By: _____
Lisa Phillips

Title: Manager, Regulatory Affairs

ACS OF FAIRBANKS, LLC d/b/a ALASKA COMMUNICATIONS SYSTEMS,
ALASKA COMMUNICATIONS, ACS LOCAL SERVICE, AND ACS

ACCESS SERVICES

11. Access Service Interfaces and Transmission Specifications (Cont'd)

11.1 Switched Access Service (Cont'd)

11.1.1 Transport Interface Groups (Cont'd)

E. Transport Optional Features

Where transmission facilities permit, the Company will, at the option of the customer, provide the following features in association with Transport. An access order charge is applicable on a per order basis when nonchargeable optional features are added subsequent to the installation of service.

- Customer Specified Entry Switch Receive Level

Customer Specified Entry Switch Receive Level allows the customer to specify the receive transmission level at the first point of switching. The range of transmission levels that may be specified are described in Technical Reference TR-NPL-000334. This feature is available with Interface Groups 2 through 10 for FGs A and B.

- Customer Specification of Transport Termination

Customer Specification of Transport Termination allows the customer to specify, for FGB routed directly to an end office or access tandem, a four-wire termination of the transport at the first point of switching in lieu of a Company selected two-wire termination. This option is available only when the FGB arrangement is provided with type B Transmission Specifications.

- Supervisory Signaling

Supervisory Signaling allows the customer to order an optional supervisory signaling arrangement for each transmission path provided where the transmission parameters permit, and where signaling conversion is required by the customer to meet its signaling capability.

Tariff Advice 135-117

Issued to comply with Order No. 4 of the Regulatory Commission of
Alaska in Docket No. U-13-188, dated April 22, 2014

Effective: February 20, 2015

Issued By: ACS OF FAIRBANKS, LLC

By: _____
Lisa Phillips

Title: Manager, Regulatory Affairs

ACS OF FAIRBANKS, LLC d/b/a ALASKA COMMUNICATIONS SYSTEMS,
ALASKA COMMUNICATIONS, ACS LOCAL SERVICE, AND ACS

ACCESS SERVICES

11. Access Service Interfaces and Transmission Specifications (Cont'd)

11.1 Switched Access Service (Cont'd)

11.1.1 Transport Interface Groups (Cont'd)

E. Transport Optional Features (Cont'd)

The Interface Groups, as described in Section 11.1.1.A through D, represent industry standard arrangements. Where transmission parameters permit, the customer may select the following optional signaling arrangements in place of signaling arrangements standardly associated with the Interface Groups.

- For Interface Groups 1 and 2 associated with FGB or FGD

DX Supervisory Signaling;
E&M Type I Supervisory Signaling;
E&M Type II Supervisory Signaling, or
E&M Type III Supervisory Signaling.
- For Interface Group 2 associated with FGB or FGD and in addition to the preceding.

SF Supervisory Signaling, or
Tandem Supervisory Signaling.
- For Interface Groups 3 through 5

Optional Supervisory Signaling is not available.
- For Interface Groups 6 through 10

These Interface Groups may, at the option of the customer, be provided with individual transmission path SF supervisory signaling where such signaling is available in Company central offices. Generally such signaling is available only where the first point of switching provides an analog (i.e., non digital) interface to the transport termination.

Additionally, in Section 11.1.1.F, there is a matrix of available Premises Interface Codes as a function of Interface Group, Company Switch Supervisory Signaling and feature group.

Tariff Advice 135-117

Issued to comply with Order No. 4 of the Regulatory Commission of Alaska in Docket No. U-13-188, dated April 22, 2014

Effective: February 20, 2015

Issued By: ACS OF FAIRBANKS, LLC

By: _____
Lisa Phillips

Title: Manager, Regulatory Affairs

ACS OF FAIRBANKS, LLC d/b/a ALASKA COMMUNICATIONS SYSTEMS,
 ALASKA COMMUNICATIONS, ACS LOCAL SERVICE, AND ACS

ACCESS SERVICES

11. Access Service Interfaces and Transmission Specifications (Cont'd)

11.1 Switched Access Service (Cont'd)

11.1.1 Transport Interface Groups (Cont'd)

F. Available Premises Interface Codes

Following is a matrix showing premises interface codes that are available for each Interface Group. Their availability is a function of the Company switch supervisory signaling and feature group. For explanations of these codes, see the Parameter Codes and Options as set forth in Section 11.2.2.A.

| <u>Interface Group</u> | <u>Company Switch Supervising Signaling</u> | <u>Premises Interface Code</u> | <u>Feature Group</u> | | |
|------------------------|---|--------------------------------|----------------------|----------|----------|
| | | | <u>A</u> | <u>B</u> | <u>D</u> |
| 1 | LO | 2LS2 | X | | |
| | LO | 2LS3 | X | | |
| | GO | 2GS2 | X | | |
| | GO | 2GS3 | X | | |
| | LO, GO | 2DX3 | X | | |
| | LO, GO | 4EA3-E | X | | |
| | LO, GO | 4EA3-M | X | | |
| | LO, GO | 6EB3-E | X | | |
| | LO, GO | 6EB3M | X | | |
| | RV, EA, EB, EC | 2DX3 | | X | X |
| | RV, EA, EB, EC | 4EA3-E | | X | X |
| | RV, EA, EB, EC | 4EA3-M | | X | X |
| | RV, EA, EB, EC | 6EB3-E | | X | X |
| | RV, EA, EB, EC | 6EB3-M | | X | X |
| | EA, EB, EC | 6EC3 | | | X |
| | RV | 2RV3-O | | X | X |
| | RV | 2RV3-T | | X | X |
| 2 | LO, GO | 4SF2 | X | | |
| | LO, GO | 4SF3 | X | | |
| | LO | 4LS2 | X | | |
| | LO | 4LS3 | X | | |
| | LO | 6LS2 | X | | |

Tariff Advice 135-117

Issued to comply with Order No. 4 of the Regulatory Commission of Alaska in Docket No. U-13-188, dated April 22, 2014

Effective: February 20, 2015

Issued By: ACS OF FAIRBANKS, LLC

By: _____
 Lisa Phillips

Title: Manager, Regulatory Affairs

ACS OF FAIRBANKS, LLC d/b/a ALASKA COMMUNICATIONS SYSTEMS,
ALASKA COMMUNICATIONS, ACS LOCAL SERVICE, AND ACS

ACCESS SERVICES

11. Access Service Interfaces and Transmission Specifications (Cont'd)

11.1 Switched Access Service (Cont'd)

11.1.1 Transport Interface Groups (Cont'd)

F. Available Premises Interface Codes (Cont'd)

| Interface Group | Company Switch Supervising Signaling | Premises Interface Code | Feature Group | | |
|--------------------|---|----------------------------|---------------|---|---|
| | | | A | B | D |
| 2 (Cont'd) | GO | 4GS2 | X | | |
| | GO | 4GS3 | X | | |
| | GO | 6GS2 | X | | |
| | LO, GO | 4DX2 | X | | |
| | LO, GO | 4DX3 | X | | |
| | LO, GO | 6EA2-E | X | | |
| | LO, GO | 6EA2-M | X | | |
| | LO, GO | 8EB2-E | X | | |
| | LO, GO | 6EX2-B | X | | |
| | RV, EA, EB, EC | 4SF2 | | X | X |
| | RV, EA, EB, EC | 4SF3 | | X | |
| | RV, EA, EB, EC | 4DX2 | | X | X |
| | RV, EA, EB, EC | 4DX3 | | X | |
| | RV, EA, EB, EC | 6EA2-E | | X | X |
| | RV, EA, EB, EC | 6EA2-M | | X | X |
| | RV, EA, EB, EC | 8EB2-E | | X | X |
| | RV, EA, EB, EC | 8EB2-M | | X | X |
| | EA, EB, EC | 8EC2-M | | | X |
| | RV | 4RV2-O | | X | X |
| | RV | 4RV2-T | | X | X |
| | RV | 4RV3-O | | X | |
| | RV | 4RV3-T | | X | |
| | 3 | LOG, GO | 4AH5-B | X | |
| RV, EA, EB, EC | | 4AH5-B | | X | X |
| 4 | LO, GO | 4AH6-C | X | | |
| | RV, EA, EB, EC | 4AH6-C | | X | X |
| 5 | LO, GO | 4AH6-D | X | | |
| | RV, EA, EB, EC | 4AH6-D | | X | X |

Tariff Advice 135-117

Issued to comply with Order No. 4 of the Regulatory Commission of
Alaska in Docket No. U-13-188, dated April 22, 2014

Effective: February 20, 2015

Issued By: ACS OF FAIRBANKS, LLC

By:

Lisa Phillips

Title: Manager, Regulatory Affairs

ACS OF FAIRBANKS, LLC d/b/a ALASKA COMMUNICATIONS SYSTEMS,
ALASKA COMMUNICATIONS, ACS LOCAL SERVICE, AND ACS

ACCESS SERVICES

11. Access Service Interfaces and Transmission Specifications (Cont'd)

11.1 Switched Access Service (Cont'd)

11.1.1 Transport Interface Groups (Cont'd)

F. Available Premises Interface Codes (Cont'd)

| Interface Group | Company <u>Switch Supervising Signaling</u> | Premises <u>Interface Code</u> | Feature Group | | |
|--------------------|--|-----------------------------------|---------------|----------|----------|
| | | | <u>A</u> | <u>B</u> | <u>D</u> |
| 6 | LO, GO | 4DS9-15 | X | | |
| | LO, GO | 4DS9-15L | X | | |
| | RV, EA, EB, EC | 4DS9-15 | | X | X |
| | RV, EA, EB, EC | 4DX2 | | X | X |
| 7 | LO, GO | 4DS9-31 | X | | |
| | LO, GO | 4DS9-31L | X | | |
| | RV, EA, EB, EC | 4DS9-31 | | X | X |
| | RV, EA, EB, EC | 4DS9-31L | | X | X |
| 8 | LO, GO | 4DS0-63 | X | | |
| | LO, GO | 4DS0-63L | X | | |
| | RV, EA, EB, EC | 4DS0-63 | | X | X |
| | RV, EA, EB, EC | 4DS0-63L | | X | X |
| 9 | LO, GO | 4DS6-44 | X | | |
| | LO, GO | 4DS6-44L | X | | |
| | RV, EA, EB, EC | 4DS6-44 | | X | X |
| | RV, EA, EB, EC | 4DS6-44L | | X | X |
| 10 | LO, GO | 4DS6-27 | X | | |
| | LO, GO | 4DS6-27L | X | | |
| | RV, EA, EB, EC | 4DS6-27 | | X | X |
| | RV, EA, EB, EC | 4DS6-27L | | X | X |

Tariff Advice 135-117

Issued to comply with Order No. 4 of the Regulatory Commission of
Alaska in Docket No. U-13-188, dated April 22, 2014

Effective: February 20, 2015

Issued By: ACS OF FAIRBANKS, LLC

By:

Lisa Phillips

Title: Manager, Regulatory Affairs

ACS OF FAIRBANKS, LLC d/b/a ALASKA COMMUNICATIONS SYSTEMS,
ALASKA COMMUNICATIONS, ACS LOCAL SERVICE, AND ACS

ACCESS SERVICES

11. Access Service Interfaces and Transmission Specifications (Cont'd)

11.1 Switched Access Service (Cont'd)

11.1.2 Standard Transmission Specifications

Descriptions of the transmission specifications available with each feature group as a function of the Interface Group selected by the customer, are set forth in Section 11.1.2.A through D. Descriptions of each of these Standard Transmission Specifications and the two Data Standard Transmission Parameters mentioned are set forth respectively in Section 11.1.2.E through G and Section 11.1.3.A and B.

A. Feature Group A

FGA is provided with either type B or type C Transmission Specifications. The specifications for the associated parameters are guaranteed to the first point of switching. Type C Transmission Specifications are provided with Interface Group 1 and type B is provided with Interface Groups 2 through 10. Type DB Data Transmission Parameters are provided with FGA to the first point of switching.

B. Feature Group B

FGB is provided with either type B or type C Transmission Specifications. The specifications for the associated parameters are guaranteed to the end office when routed directly or to the first point of switching when routed via an access tandem. Type C Transmission Specifications are provided with Interface Groups 1 and Type B is provided with Interface Groups 2 through 10. Type DB Data Transmission Parameters are provided with FGB to the first point of switching.

Tariff Advice 135-117

Issued to comply with Order No. 4 of the Regulatory Commission of
Alaska in Docket No. U-13-188, dated April 22, 2014

Effective: February 20, 2015

Issued By: ACS OF FAIRBANKS, LLC

By:

Lisa Phillips

Title: Manager, Regulatory Affairs

ACS OF FAIRBANKS, LLC d/b/a ALASKA COMMUNICATIONS SYSTEMS,
ALASKA COMMUNICATIONS, ACS LOCAL SERVICE, AND ACS

ACCESS SERVICES

11. Access Service Interfaces and Transmission Specifications (Cont'd)

11.1 Switched Access Service (Cont'd)

11.1.2 Standard Transmission Specifications (Cont'd)

C. Feature Group D

FGD is provided with either type A, type B or type C Transmission Specifications as follows:

- When routed to the end office of either type B or C is provided.
- When routed to an access tandem only type A is provided.
- Type A is provided on the transmission path from the access tandem to the end office.

Type C Transmission Specifications are provided with Interface Group 1. Type A and type B Transmission Specifications are provided with interface Groups 2 through 10.

Type DB Data Transmission Parameters are provided with FGD for the transmission path between the customer designated premises and the end office when directly routed to the end office. Type DA Data Transmission Parameters are provided for the transmission path between the customer designated premises and the access tandem and between the access tandem and the end office when routed via an access tandem.

D. Type A Transmission Specifications

Type A Transmission Specifications is provided with the following parameters:

1. Loss Deviation

The maximum Loss Deviation of the 1004 Hz loss relative to the Expected Measured Loss (EML) is +/- 2.0 dB.

Tariff Advice 135-117

Issued to comply with Order No. 4 of the Regulatory Commission of Alaska in Docket No. U-13-188, dated April 22, 2014

Effective: February 20, 2015

Issued By: ACS OF FAIRBANKS, LLC

By:

Lisa Phillips

Title: Manager, Regulatory Affairs

ACS OF FAIRBANKS, LLC d/b/a ALASKA COMMUNICATIONS SYSTEMS,
ALASKA COMMUNICATIONS, ACS LOCAL SERVICE, AND ACS

ACCESS SERVICES

11. Access Service Interfaces and Transmission Specifications (Cont'd)

11.1 Switched Access Service (Cont'd)

11.1.2 Standard Transmission Specifications (Cont'd)

D. Type A Transmission Specifications (Cont'd)

2. Attenuation Distortion

The maximum Attenuation Distortion in the 404 to 2804 Hz frequency band relative to the loss at 1004 Hz is -1.0 B to +3 dB.

3. C-Message Noise

The maximum C-Message Noise for the transmission path at the route miles listed is less than or equal to:

| <u>Route Miles</u> | <u>C-Message Noise</u> |
|--------------------|------------------------|
| less than 50 | 32 dBrnCO |
| 51 to 100 | 34 dBrnCO |
| 101 to 200 | 37 dBrnCO |
| 201 to 400 | 40 dBrnCO |
| 401 to 1000 | 42 dBrnCO |

4. C-Notch Noise

The maximum C-Notch Noise, utilizing a -16 dBmO holding tone, is less than or equal to 45 dBrnCO.

Tariff Advice 135-117

Issued to comply with Order No. 4 of the Regulatory Commission of Alaska in Docket No. U-13-188, dated April 22, 2014

Effective: February 20, 2015

Issued By: ACS OF FAIRBANKS, LLC

By:

Lisa Phillips

Title: Manager, Regulatory Affairs

ACS OF FAIRBANKS, LLC d/b/a ALASKA COMMUNICATIONS SYSTEMS,
ALASKA COMMUNICATIONS, ACS LOCAL SERVICE, AND ACS

ACCESS SERVICES

11. Access Service Interfaces and Transmission Specifications (Cont'd)

11.1 Switched Access Service (Cont'd)

11.1.2 Standard Transmission Specifications (Cont'd)

D. Type A Transmission Specifications (Cont'd)

5. Echo Control

Echo Control, identified as Equal Level Echo Path Loss, and expressed as Echo Return Loss and Singing Return Loss, is dependent on the routing, i.e., whether the service is routed directly from the customer's point of termination ("POT") to the end office or via an access tandem. It is equal to or greater than the following:

| | <u>Echo Return Loss</u> | <u>Singing Return Loss</u> |
|----------------------|-----------------------------|--------------------------------|
| POT to Access Tandem | 21 dB | 14 dB |
| POT to End Office | | |
| - Direct | N/A | N/A |
| - Via Access Tandem | 16 dB | 11 dB |

6. Standard Return Loss

Standard Return Loss expressed as Echo Return Loss and Singing Return Loss on two-wire ports of a four-wire point of termination shall be equal to or greater than:

| <u>Echo Return Loss</u> | <u>Singing Return Loss</u> |
|-------------------------|----------------------------|
| 5 dB | 2.5 dB |

Tariff Advice 135-117

Issued to comply with Order No. 4 of the Regulatory Commission of Alaska in Docket No. U-13-188, dated April 22, 2014

Effective: February 20, 2015

Issued By: ACS OF FAIRBANKS, LLC

By: _____
Lisa Phillips

Title: Manager, Regulatory Affairs

ACS OF FAIRBANKS, LLC d/b/a ALASKA COMMUNICATIONS SYSTEMS,
ALASKA COMMUNICATIONS, ACS LOCAL SERVICE, AND ACS

ACCESS SERVICES

11. Access Service Interfaces and Transmission Specifications (Cont'd)

11.1 Switched Access Service (Cont'd)

11.1.2 Standard Transmission Specifications (Cont'd)

E. Type B Transmission Specifications

Type B Transmission Specifications are provided with the following parameters:

1. Loss Deviation

The maximum Loss deviation of the 1004 Hz loss relative to the Expected Measured Loss (EML) is +/- 2.5 dB.

2. Attenuation Distortion

The maximum Attenuation Distortion in the 404 to 2804 Hz frequency band relative to loss at 1004 Hz is -2.0 dB to +4.0 dB.

3. C-Message Noise

The maximum C-Message Noise for the transmission path at the route miles listed is less than or equal to:

| <u>Route Miles</u> | <u>C-Message Noise*</u> | |
|--------------------|-------------------------|----------------|
| | <u>Type B1</u> | <u>Type B2</u> |
| less than 50 | 32 dBrnCO | 35 dBrnCO |
| 51 to 100 | 33 dBrnCO | 37 dBrnCO |
| 101 to 200 | 35 dBrnCO | 40 dBrnCO |
| 201 to 400 | 37 dBrnCO | 43 dBrnCO |
| 401 to 1000 | 39 dBrnCO | 45 dBrnCO |

4. C-Notch Noise

The maximum C-Notch Noise, utilizing a -16 dBmO holding tone is less than or equal to 47 dBrnCO.

* For FGD only type B2 will be provided. For FGs A and B, type B1 or B2 will be provided as set forth in Technical TR-NPL-000334.

Tariff Advice 135-117

Issued to comply with Order No. 4 of the Regulatory Commission of Alaska in Docket No. U-13-188, dated April 22, 2014

Effective: February 20, 2015

Issued By: ACS OF FAIRBANKS, LLC

By: _____
Lisa Phillips

Title: Manager, Regulatory Affairs

ACS OF FAIRBANKS, LLC d/b/a ALASKA COMMUNICATIONS SYSTEMS,
ALASKA COMMUNICATIONS, ACS LOCAL SERVICE, AND ACS

ACCESS SERVICES

11. Access Service Interfaces and Transmission Specifications (Cont'd)

11.1 Switched Access Service (Cont'd)

11.1.2 Standard Transmission Specifications (Cont'd)

E. Type B Transmission Specifications

5. Echo Control

Echo Control, identified as Impedance Balance for FGA and FGB and Equal Level Echo Path Loss for FGD, and expressed as Echo Return Loss ("ERL") and Signaling Return Loss ("SRL"), is dependent on the routing, i.e., whether the service is routed directly from the customer's point of termination ("POT") to the end office or via an access tandem. The ERL and STL also differ by feature group, type of termination, and type of transmission path. They are greater than or equal to the following:

| | <u>Echo Return Loss</u> | <u>Signaling Return Loss</u> |
|---------------------------------|-----------------------------|----------------------------------|
| POT to Access Tandem | | |
| - Terminated in 4-Wire trunk | 21 dB | 14 dB |
| - Terminated in 2-Wire trunk | 16 dB | 11 dB |
| POT to end Office | | |
| - Direct | 16 dB | 11 dB |
| - Via Access Tandem | | |
| • For FGB access | 8 dB | 4 dB |

Tariff Advice 135-117

Issued to comply with Order No. 4 of the Regulatory Commission of
Alaska in Docket No. U-13-188, dated April 22, 2014

Effective: February 20, 2015

Issued By: ACS OF FAIRBANKS, LLC

By: _____
Lisa Phillips

Title: Manager, Regulatory Affairs

ACS OF FAIRBANKS, LLC d/b/a ALASKA COMMUNICATIONS SYSTEMS,
ALASKA COMMUNICATIONS, ACS LOCAL SERVICE, AND ACS

ACCESS SERVICES

11. Access Service Interfaces and Transmission Specifications (Cont'd)

11.1 Switched Access Service (Cont'd)

11.1.2 Standard Transmission Specifications (Cont'd)

E. Type B Transmission Specifications

6. Standard Return Loss

Standard Return Loss, expressed as Echo Return Loss and Signaling Return Loss, on two-wire ports of a four-wire point of termination shall be equal to or greater than:

Echo Return Loss

5 dB

Signaling Return Loss

2.5 dB

F. Type C Transmission Specifications

Type C Transmission Specifications are provided with the following parameters:

1. Loss Deviation

The maximum Loss Deviation of the 1004 Hz Loss relative to the Expected Measured Loss ("EML") is +/- 3.0 dB.

2. Attenuation Distortion

The maximum Attenuation Distortion in the 404 to 2804 hz frequency band relative to loss at 1004 Hz is -2.0 dB to +5.5 dB.

Tariff Advice 135-117

Issued to comply with Order No. 4 of the Regulatory Commission of Alaska in Docket No. U-13-188, dated April 22, 2014

Effective: February 20, 2015

Issued By: ACS OF FAIRBANKS, LLC

By:

Lisa Phillips

Title: Manager, Regulatory Affairs

ACS OF FAIRBANKS, LLC d/b/a ALASKA COMMUNICATIONS SYSTEMS,
ALASKA COMMUNICATIONS, ACS LOCAL SERVICE, AND ACS

ACCESS SERVICES

11. Access Service Interfaces and Transmission Specifications (Cont'd)

11.1 Switched Access Service (Cont'd)

11.1.2 Standard Transmission Specifications (Cont'd)

F. Type C Transmission Specifications (Cont'd)

3. C-Message Noise

The maximum C-Message Noise for the transmission patch at the route miles listed is less than or equal to:

| <u>Route Miles</u> | <u>C-Message Noise*</u> | |
|--------------------|-------------------------|----------------|
| | <u>Type C1</u> | <u>Type C2</u> |
| less than 50 | 32 dBrnCO | 38 dBrnCO |
| 51 to 100 | 33 dBrnCO | 39 dBrnCO |
| 101 to 200 | 35 dBrnCO | 41 dBrnCO |
| 201 to 400 | 37 dBrnCO | 43 dBrnCO |
| 401 to 1000 | 39 dBrnCO | 45 dBrnCO |

4. C-Notch Noise

The maximum C-Notch Noise, utilizing a -16 dBmO holding tone is less than or equal to 47 dBrnCO

* For FGD only type C2 will be provided. For FGs A and B, type C1 and C2 will be provided as set forth in Technical TR-NPL-000334.

Tariff Advice 135-117

Issued to comply with Order No. 4 of the Regulatory Commission of Alaska in Docket No. U-13-188, dated April 22, 2014

Effective: February 20, 2015

Issued By: ACS OF FAIRBANKS, LLC

By:

Lisa Phillips

Title: Manager, Regulatory Affairs

ACS OF FAIRBANKS, LLC d/b/a ALASKA COMMUNICATIONS SYSTEMS,
ALASKA COMMUNICATIONS, ACS LOCAL SERVICE, AND ACS

ACCESS SERVICES

11. Access Service Interfaces and Transmission Specifications (Cont'd)

11.1 Switched Access Service (Cont'd)

11.1.2 Standard Transmission Specifications (Cont'd)

F. Type C Transmission Specifications (Cont'd)

5. Echo Control

Echo Control, identifies as Return Loss and expressed as Echo Return Loss and Singing Return Loss is dependent on the routing, i.e., whether the service is routed directly from the customer's point of termination ("POT") to the end office or via an access tandem. It is equal to or greater than the following:

| | <u>Echo Return Loss</u> | <u>Singing Return Loss</u> |
|---------------------------------------|-----------------------------|--------------------------------|
| POT to Access Tandem | 13 dB | 6 dB |
| POT to End Office | | |
| - Direct | 13 dB | 6 dB |
| - Via Access Tandem (for FGB only) | 8 dB | 4 dB |

11.1.3 Data Transmission Parameters

Two types of data Transmission Parameters, i.e., Type DA and Type DB, are provided for the feature group arrangements. Type DB is provided with FGs A and B and also with FGD when FGD is directly routed to the end office. Type DA is only provided with FGD and only when routed via an access tandem. Following are descriptions of each.

A. Data Transmission Parameters Type DA

1. Signal to C-Notched Noise Ratio

The Signal to C-Notched Noise Ratio is equal to or greater than 33 dB.

Tariff Advice 135-117

Issued to comply with Order No. 4 of the Regulatory Commission of Alaska in Docket No. U-13-188, dated April 22, 2014

Effective: February 20, 2015

Issued By: ACS OF FAIRBANKS, LLC

By: _____
Lisa Phillips

Title: Manager, Regulatory Affairs

ACS OF FAIRBANKS, LLC d/b/a ALASKA COMMUNICATIONS SYSTEMS,
ALASKA COMMUNICATIONS, ACS LOCAL SERVICE, AND ACS

ACCESS SERVICES

11. Access Service Interfaces and Transmission Specifications (Cont'd)

11.1 Switched Access Service (Cont'd)

11.1.3 Data Transmission Parameters (Cont'd)

A. Data Transmission Parameters Type DA (Cont'd)

(2) Envelope Delay Distortion

The maximum Envelope Delay Distortion for the frequency banks and route miles specified is:

604 to 2804 Hz

| | |
|---|------------------|
| less than 50 route miles | 500 microseconds |
| equal to or greater than 50 route miles | 900 microseconds |

1004 to 2404 Hz

| | |
|---|------------------|
| less than 50 route miles | 200 microseconds |
| equal to or greater than 50 route miles | 400 microseconds |

3. Impulse Noise Counts

The Impulse Noise Counts exceeding a 65 dBnCO threshold in 15 minutes is no more than 15 counts.

4. Intermodulation Distortion

The Second Order (R2) and Third Order (R3) Intermodulation Distortion products are equal to or greater than:

| | |
|-------------------|-------|
| Second Order (R2) | 33 dB |
| Third Order (R3) | 37 dB |

Tariff Advice 135-117

Issued to comply with Order No. 4 of the Regulatory Commission of Alaska in Docket No. U-13-188, dated April 22, 2014

Effective: February 20, 2015

Issued By: ACS OF FAIRBANKS, LLC

By: _____
Lisa Phillips

Title: Manager, Regulatory Affairs

ACS OF FAIRBANKS, LLC d/b/a ALASKA COMMUNICATIONS SYSTEMS,
ALASKA COMMUNICATIONS, ACS LOCAL SERVICE, AND ACS

ACCESS SERVICES

11. Access Service Interfaces and Transmission Specifications (Cont'd)

11.1 Switched Access Service (Cont'd)

11.1.3 Data Transmission Parameters (Cont'd)

A. Data Transmission Parameters Type DA (Cont'd)

5. Phase Jitter

The Phase Jitter over the 4-300 Hz frequency band is less than or equal to 5° peak-to-peak.

6. Frequency Shift

The maximum Frequency Shift does not exceed -2 to +2 Hz.

B. Data Transmission Parameters Type DB

1. Signal to C-Notched Noise Ratio

The signal to C-Notched Noise Ratio is equal to or greater than 30 dB.

2. Envelope Delay Distortion

The maximum Envelope Delay Distortion for the frequency bands and route miles specified is:

604 to 2804 Hz

| | |
|---|-------------------|
| less than 50 route miles | 800 microseconds |
| equal to or greater than 50 route miles | 1000 microseconds |

1004 to 2404 Hz

| | |
|---|------------------|
| less than 50 route miles | 320 microseconds |
| equal to or greater than 50 route miles | 500 microseconds |

Tariff Advice 135-117

Issued to comply with Order No. 4 of the Regulatory Commission of Alaska in Docket No. U-13-188, dated April 22, 2014

Effective: February 20, 2015

Issued By: ACS OF FAIRBANKS, LLC

By: _____
Lisa Phillips

Title: Manager, Regulatory Affairs

ACS OF FAIRBANKS, LLC d/b/a ALASKA COMMUNICATIONS SYSTEMS,
ALASKA COMMUNICATIONS, ACS LOCAL SERVICE, AND ACS

ACCESS SERVICES

11. Access Service Interfaces and Transmission Specifications (Cont'd)

11.1 Switched Access Service (Cont'd)

11.1.3 Data Transmission Parameters (Cont'd)

B. Data Transmission Parameters Type DB (Cont'd)

3. Impulse Noise Counts

The Impulse Noise counts exceeding a 67 dBnCO threshold in 15 minutes is no more than 15 counts.

4. Intermodulation Distortion

The Second Order (R2) and Third Order (R3) Intermodulation Distortion products are equal to or greater than:

| | |
|-------------------|-------|
| Second Order (R2) | 31 dB |
| Third Order (R3) | 34 dB |

5. Phase Jitter

The Phase Jitter over the 4-300 Hz frequency band is less than or equal to 7° peak-to-peak.

6. Frequency Shift

The maximum Frequency Shift does not exceed -2 to +2 Hz.

Tariff Advice 135-117

Issued to comply with Order No. 4 of the Regulatory Commission of
Alaska in Docket No. U-13-188, dated April 22, 2014

Effective: February 20, 2015

Issued By: ACS OF FAIRBANKS, LLC

By:

Lisa Phillips

Title: Manager, Regulatory Affairs

ACS OF FAIRBANKS, LLC d/b/a ALASKA COMMUNICATIONS SYSTEMS,
ALASKA COMMUNICATIONS, ACS LOCAL SERVICE, AND ACS

ACCESS SERVICES

11. Access Service Interfaces and Transmission Specifications (Cont'd)

11.2 Special Access Service

This section explains and lists the codes that the customer must specify when ordering special access service. These codes provide a standardized means to relate the services being ordered to special access service offerings contained in Section 7.

When ordering, the type of special access service is described by two code sets, the Network Channel ("NC") code and the Network Channel Interface ("NCI") codes.

The Network Channel code consists of two elements. Element one is a Channel Service Code (character positions 1 and 2) that describes the channel service type in an abbreviated form. Element two is an Optional Feature Code (character positions 3 and 4) that identifies option codes available for each channel service code, such as C-conditioning or Improved Return Loss.

The Network Channel Interface is used to identify interface specifications associated with a particular channel. This code describes the total wires, protocol, impedance, protocol options and transmission level point(s) reflecting physical and electrical characteristics between the Company and the customer.

Following, are examples that explain the specific characters of the codes and which reference matrices and charts used in developing the codes. Included in the matrices are Service Designator (SD) codes that are used to identify variations of service within service types. The SD and NC codes are displayed as components of the matrices designated as Technical Specifications packages in Section 11.2.A through E. Through the use of these matrices, SD codes may be converted to NC codes for service ordering purposes.

A chart is also provided in Section 11.3.2 which contains information necessary to develop NCI codes.

Tariff Advice 135-117

Issued to comply with Order No. 4 of the Regulatory Commission of
Alaska in Docket No. U-13-188, dated April 22, 2014

Effective: February 20, 2015

Issued By: ACS OF FAIRBANKS, LLC

By:

Lisa Phillips

Title: Manager, Regulatory Affairs

ACS OF FAIRBANKS, LLC d/b/a ALASKA COMMUNICATIONS SYSTEMS,
ALASKA COMMUNICATIONS, ACS LOCAL SERVICE, AND ACS

ACCESS SERVICES

11. Access Service Interfaces and Transmission Specifications (Cont'd)

11.2 Special Access Service (Cont'd)

Comprehensive lists of allowed Network Channel and Network Channel Interface codes are contained in Special Report SR-ISD-000307. However, not all services contained in this Special Report may be offered by the Company at this time.

Section 11.3.2.C provides a list of compatible Network Channel Interfaces inasmuch as the Network Channel Interfaces associated with a given service need not always be the same, but all must be compatible.

Example No. 1:

If the customer wishes to order a 4-wire voice grade circuit with 600 Ohms impedance, capable of data transmission, and with improved return loss, the customer might specify the following:

NC
LG-R

NCI
04DB2

SECNCI
04DA2-S

NC Code:

LG =
-R =

Voice Grade Channel Service, VG6
Improved Return Loss

NCI Code:

04 =
DB =
2 =

Number of physical wires at CDP
Data stream in VF frequency band at the customer designated
main terminal location 600 Ohms impedance
600 Ohms impedance

SECNCI (Secondary NCI Code):

04 =
DA =
2 =
S =

Number of physical wires at CDP
Data stream in VG frequency at the customer designated
secondary terminal location
6 Ohms impedance
Sealing current option for 4-wire transmission

In the above example the NCI code is the interface requested at the customer's POT and the Secondary Network Channel Interface code represents the interface at the end office serving the End User.

Tariff Advice 135-117

Issued to comply with Order No. 4 of the Regulatory Commission of
Alaska in Docket No. U-13-188, dated April 22, 2014

Effective: February 20, 2015

Issued By: ACS OF FAIRBANKS, LLC

By:

Lisa Phillips

Title: Manager, Regulatory Affairs

ACS OF FAIRBANKS, LLC d/b/a ALASKA COMMUNICATIONS SYSTEMS,
ALASKA COMMUNICATIONS, ACS LOCAL SERVICE, AND ACS

ACCESS SERVICES

11. Access Service Interfaces and Transmission Specifications (Cont'd)

11.2 Special Access Service (Cont'd)

Example No. 2:

If the customer wishes to order a foreign exchange circuit to a station, with 600 Ohms impedance, loop start signaling, which is 4-wire at the customer designated premises and 2-wire at the end-user, the customer might specify:

NC
LC--

NCI
04LO2

SECNCI
02LS2

NC Code:

LC =

Voice Grade Channel Service, VG2

-- =

No Optional Features

NCI Code:

04 =

Number of physical wires at CDP

LO =

Loop start, loop signaling - open end

2 =

600 Ohms impedance

SECNCI (Secondary NCI Code):

02 =

Number of physical wires at CDP

LS =

Loop start signaling - closed end

2 =

6 Ohms impedance

Tariff Advice 135-117

Issued to comply with Order No. 4 of the Regulatory Commission of
Alaska in Docket No. U-13-188, dated April 22, 2014

Effective: February 20, 2015

Issued By: ACS OF FAIRBANKS, LLC

By:

Lisa Phillips

Title: Manager, Regulatory Affairs

ACS OF FAIRBANKS, LLC d/b/a ALASKA COMMUNICATIONS SYSTEMS,
ALASKA COMMUNICATIONS, ACS LOCAL SERVICE, AND ACS

ACCESS SERVICES

11. Access Service Interfaces and Transmission Specifications (Cont'd)

11.2 Special Access Service (Cont'd)

Example No. 3:

If the customer wishes to order a 1.544 Mbps Hi-cap facility with no channel options such as central office multiplexing, the customer might specify the following:

| <u>NC</u> | <u>NCI</u> | <u>SECNCI</u> |
|-----------|------------|---------------|
| HC-- | 04DS9-15 | 04DS9-15 |

NC Code:
LC = Voice Grade Channel Service, VG2
-- = No Optional Features

NCI Code:
HC = High Capacity Channel Service, HC1
-- = No Optional Features

NCI, SECNCI Code:
04 = Number of physical wires at CDP
DS = Digital hierarchy interface
9 = 100 Ohms impedance
15 = 1.544 Mbps (DS1) format

The preceding three examples use information contained in Special Report SR-ISD-000307.

Tariff Advice 135-117

Issued to comply with Order No. 4 of the Regulatory Commission of Alaska in Docket No. U-13-188, dated April 22, 2014

Effective: February 20, 2015

Issued By: ACS OF FAIRBANKS, LLC

By: _____
Lisa Phillips

Title: Manager, Regulatory Affairs

ACS OF FAIRBANKS, LLC d/b/a ALASKA COMMUNICATIONS SYSTEMS,
ALASKA COMMUNICATIONS, ACS LOCAL SERVICE, AND ACS

ACCESS SERVICES

11. Access Service Interfaces and Transmission Specifications (Cont'd)

11.2 Special Access Service (Cont'd)

11.2.1 Network Channel ("NCI") Codes

In order to determine the NC code appropriate for the service to be ordered, the type of special access service the customer wishes must be identified. This identification is accomplished by a Service Designator ("SD") code. The broad categories of Service Designator codes (e.g., VG, etc.) are set forth in Section 7. Variations within service type (e.g., VG1, etc.) are described in the various Technical Publications cited in Section 11.2.1.A through E. Having determined the specific service type to be ordered and its SD code, and having used the appropriate Technical Publication, the customer should match the SD code to the NC code using the following matrices. Once the NC code has been determined the Network Channel Interface code may be developed using the information set forth in Section 11.2.1 and the guidelines concerning specific parameters available for each service type as set forth in the specified Technical Publication.

Tariff Advice 135-117

Issued to comply with Order No. 4 of the Regulatory Commission of
Alaska in Docket No. U-13-188, dated April 22, 2014

Effective: February 20, 2015

Issued By: ACS OF FAIRBANKS, LLC

By:

Lisa Phillips

Title: Manager, Regulatory Affairs

ACS OF FAIRBANKS, LLC d/b/a ALASKA COMMUNICATIONS SYSTEMS,
ALASKA COMMUNICATIONS, ACS LOCAL SERVICE, AND ACS

ACCESS SERVICES

11. Access Service Interfaces and Transmission Specifications (Cont'd)

11.2 Special Access Service (Cont'd)

11.2.1 Network Channel ("NCI") Codes (Cont'd)

A. Technical Specifications Packages Voice Grade Service

| SD Code NC Code | C* LQ | Package VG- | | | | | | | | | | | | W SE | |
|---|----------|-------------|---------|---------|---------|---------|---------|---------|---------|---------|----------|----------|----------|---------|---|
| | | 1 LB | 2 LC | 3 LD | 4 LE | 5 LF | 6 LG | 7 LH | 8 LJ | 9 LK | 10 LN | 11 LP | 12 LR | | |
| <u>Parameter</u> | | | | | | | | | | | | | | | |
| Attenuation | | | | | | | | | | | | | | | |
| Distortion | X | X | X | X | X | X | X | X | X | X | X | X | X | X | X |
| C-Message Noise | X | X | X | X | X | X | X | X | X | X | X | X | X | X | X |
| Echo Control | X | X | X | X | | X | | X | X | | | | X | X | X |
| Envelope Delay | | | | | | | | | | | | | | | |
| Distortion | X | | | | | | | X | X | X | X | X | X | X | X |
| Frequency Shift | X | | | | | | | X | X | X | X | X | X | X | X |
| Impulse Noise | X | | | | | | X | X | X | X | X | X | X | X | X |
| Intermodulation | | | | | | | | | | | | | | | |
| Distortion | X | | | | | | | X | X | X | X | X | | | X |
| Loss Deviation | X | X | X | X | X | X | X | X | X | X | X | X | X | X | X |
| Phase Hits, Gain Hits, and Dropouts | X | | | | | | | | | | | | | | |
| Phase Jitter | X | | | | | | | X | X | X | X | X | | | X |
| Signal-to-C Message Noise | | | | | X | | | | | | | | | | |
| Signal-to-C Notch Noise | X | | | | | | | X | X | X | X | X | X | X | X |

The technical specifications for these parameters (except for dropouts, phase hits, and gain hits) are described in Technical References TR-NPL-000334 and TR-NPL-000335. The technical specifications for dropouts, phase hits, and gain hits are described in Technical Reference PUB41004 Table 4.

* The desired parameters are selected by the customer from the list of available parameters.

Tariff Advice 135-117

Issued to comply with Order No. 4 of the Regulatory Commission of Alaska in Docket No. U-13-188, dated April 22, 2014

Effective: February 20, 2015

Issued By: ACS OF FAIRBANKS, LLC

By: _____
Lisa Phillips

Title: Manager, Regulatory Affairs

ACS OF FAIRBANKS, LLC d/b/a ALASKA COMMUNICATIONS SYSTEMS,
ALASKA COMMUNICATIONS, ACS LOCAL SERVICE, AND ACS

ACCESS SERVICES

11. Access Service Interfaces and Transmission Specifications (Cont'd)

11.2 Special Access Service (Cont'd)

11.2.1 Network Channel ("NCI") Codes (Cont'd)

| SD Code NC Code | C* LQ | Package VG- | | | | | | | | | | | | | | W SE |
|---|----------|-------------|---------|---------|---------|---------|---------|---------|---------|---------|----------|----------|----------|---|--|---------|
| | | 1 LB | 2 LC | 3 LD | 4 LE | 5 LF | 6 LG | 7 LH | 8 LJ | 9 LK | 10 LN | 11 LP | 12 LR | | | |
| <u>Optional Features and Functions</u> | | | | | | | | | | | | | | | | |
| Central Office Bridging Capability Conditioning | X | | X | | | | X | X | | | | X | X | X | | |
| •C-Type | X | | | | | | X | X | X | X | X | X | | | | |
| •Improved Attenuation Distortion | X | | | | | | X | X | X | X | X | X | | | | |
| •Improved Envelope Delay Distortion | X | | | | | | X | X | X | X | X | X | | | | |
| •Data Capability | X | | | | | | | X | X | | | X | | | | |
| Improved Two-Wire Voice Transmission Signaling Capability | X | X | X | X | | | | | X | X | X | | | | | X |
| Central Office Multiplexing | X | | | | | | | X | | | | | | | | |
| Sealing Current | X | | | | | | | X | | | | | | | | |
| Telephoto Capability | X | | | | | | | | | | | | X | | | |
| Customer Specified Premises Receive Level | X | | X | X | | | | | X | X | X | | | | | |
| Improved Return Loss for Effective Four-Wire Transmission | X | X | X | X | X | X | X | X | X | X | X | X | X | X | | |
| For Effective Two-Wire Transmission | X | | X | X | | | | | X | | | | | | | |
| PPSN Interface Arrangement | X | | | | | | | | | | X | | | | | |
| Selective Signaling Arrangement | X | | X | | | | X | X | | | | X | | | | |
| Transfer Arrangement | X | X | X | X | X | X | X | X | X | X | X | X | X | X | | |

Tariff Advice 135-117

Issued to comply with Order No. 4 of the Regulatory Commission of Alaska in Docket No. U-13-188, dated April 22, 2014

Effective: February 20, 2015

Issued By: ACS OF FAIRBANKS, LLC

By: _____
Lisa Phillips

Title: Manager, Regulatory Affairs

ACS OF FAIRBANKS, LLC d/b/a ALASKA COMMUNICATIONS SYSTEMS,
 ALASKA COMMUNICATIONS, ACS LOCAL SERVICE, AND ACS

ACCESS SERVICES

11. Access Service Interfaces and Transmission Specifications (Cont'd)

11.2 Special Access Service (Cont'd)

11.2.1 Network Channel ("NCI") Codes (Cont'd)

B. Technical Specifications Packages Digital Data Service

| SD Code NC Code | Package | | | | | |
|---|----------|----------|----------|----------|----------|----------|
| | D1 XA | D2 XB | D3 XG | D4 XH | D5 XE | D6 YN |
| <u>Parameter/Hubbed</u> | | | | | | |
| Error-Free Seconds | X | X | X | X | X | X |
| <u>Optional Features and Functions/Hubbed</u> | | | | | | |
| Central Office Bridging Capability | X | X | X | X | X | X |
| Transfer Arrangement | X | X | X | X | X | X |
| PPSN Interface Transfer Arrangement | X | X | X | X | X | X |

The Company will provide a channel capable of meeting a monthly average performance equal to or greater than 99.875% error-free seconds (if provided through a digital data hub) while the channel is in service, if it is measured through a CSU equivalent which is designed, manufactured, and maintained to conform with the specifications contained in Technical Reference PUB 62310.

Optional Features and Functions/Non-Hubbed

Public Packet Data Arrangement X X

Voltages that are compatible with digital data service are delineated in Technical Reference PUB TR-NWT-000341.

Tariff Advice 135-117

Issued to comply with Order No. 4 of the Regulatory Commission of Alaska in Docket No. U-13-188, dated April 22, 2014

Effective: February 20, 2015

Issued By: ACS OF FAIRBANKS, LLC

By: _____
 Lisa Phillips

Title: Manager, Regulatory Affairs

ACS OF FAIRBANKS, LLC d/b/a ALASKA COMMUNICATIONS SYSTEMS,
 ALASKA COMMUNICATIONS, ACS LOCAL SERVICE, AND ACS

ACCESS SERVICES

11. Access Service Interfaces and Transmission Specifications (Cont'd)

11.2 Special Access Service (Cont'd)

11.2.1 Network Channel ("NCI") Codes (Cont'd)

C. Technical Specifications Packages High Capacity Service

| SD Code NC Code | Package | | | | | |
|--------------------|-----------|-----------|------------|-----------|-----------|-----------|
| | HC0 HS | HC1 HC | HC1C HD | HC2 HE | HC3 HF | HC4 HG |

Parameters

Error-Free Seconds X

Optional Features and Functions

Automatic Loop Transfer X

Central Office Multiplexing:

| | | | | | | |
|----------------------|---|---|---|---|---|---|
| DS4 to DS1 | | | | | | X |
| DS3 to DS1 | | | | | X | |
| DS2 to DS1 | | | | X | | |
| DS1C to DS1 | | | X | | | |
| DS1 to Voice | | X | | | | |
| DS1 to DS0 | | X | | | | |
| DS0 to Subrate* | X | | | | | |
| Transfer Arrangement | | X | | | | |

A channel with technical specifications package HC1 will be capable of an error-free second performance of 98.75% over a continuous 24 hour period as measured at the 1.544 Mbps rate through a CSU equivalent which is designed, manufactured, and maintained to conform with the specifications contained in Technical Reference PUB 62411.

* Available only on a channel of 1.544 Mbps facility to a Company hub.

Tariff Advice 135-117

Issued to comply with Order No. 4 of the Regulatory Commission of Alaska in Docket No. U-13-188, dated April 22, 2014

Effective: February 20, 2015

Issued By: ACS OF FAIRBANKS, LLC

By: _____
 Lisa Phillips

Title: Manager, Regulatory Affairs

ACS OF FAIRBANKS, LLC d/b/a ALASKA COMMUNICATIONS SYSTEMS,
ALASKA COMMUNICATIONS, ACS LOCAL SERVICE, AND ACS

ACCESS SERVICES

11. Access Service Interfaces and Transmission Specifications (Cont'd)

11.2 Special Access Service (Cont'd)

11.2.1 Network Channel ("NCI") Codes (Cont'd)

D. Technical Specifications Packages Program Audio Service

| SD Code NC Code | Package | | | | |
|--|------------|-----------|-----------|-----------|-----------|
| | APC* PQ | AP1 PE | AP2 PF | AP3 PJ | AP4 PK |
| <u>Parameter</u> | | | | | |
| Actual Measured Loss | X | X | X | X | X |
| Amplitude Tracking | X | | | | |
| Crosstalk | X | X | X | X | X |
| Distortion Tracking | X | | | | |
| Gain/Frequency Distortion | X | X | X | X | X |
| Group Delay | X | | | | |
| Noise | X | X | X | X | X |
| Phase Tracking | X | | | | |
| Short-Term Gain Stability | X | | | | |
| Short-Term Loss | X | | | | |
| Total Distortion | X | X | X | X | X |
| <u>Optional Features and Functions</u> | | | | | |
| Central Office Bridging Capability | X | X | X | X | X |
| Gain Conditioning | X | X | X | X | X |
| Stereo | X | | | | X |

The technical specifications are described in Technical Reference TR-NPL-000337 and associated Addendum.

* The desired parameters are selected by the customer from the list of available parameters.

Tariff Advice 135-117

Issued to comply with Order No. 4 of the Regulatory Commission of Alaska in Docket No. U-13-188, dated April 22, 2014

Effective: February 20, 2015

Issued By: ACS OF FAIRBANKS, LLC

By:

Lisa Phillips

Title: Manager, Regulatory Affairs

ACS OF FAIRBANKS, LLC d/b/a ALASKA COMMUNICATIONS SYSTEMS,
 ALASKA COMMUNICATIONS, ACS LOCAL SERVICE, AND ACS

ACCESS SERVICES

11. Access Service Interfaces and Transmission Specifications (Cont'd)

11.2 Special Access Service (Cont'd)

11.2.1 Network Channel ("NCI") Codes (Cont'd)

E. Technical Specifications Packages Video Service

| SD Code NC Code | Package | | |
|---|---------|-----|-----|
| | TVC* | TV1 | TV2 |
| | TQ | TV | TW |
| <u>Video Parameters</u> | | | |
| Insertion Gain | X | X | X |
| Field-time Distortion | X | X | X |
| Line-time Distortion | X | X | X |
| Short-time Distortion | X | X | X |
| Chrominance-Luminance Gain Inequality | X | X | X |
| Chrominance-Luminance Delay Inequality | X | X | X |
| Amplitude/Frequency Characteristic | X | X | X |
| Luminance Non-Linear Distortion | | | |
| Chrominance Non-Linear Gain Distortion | X | X | X |
| Chrominance Non-Linear Phase Distortion | X | X | X |
| Transient Synchronizing Signal Non-Linearty | X | X | X |
| Dynamic Gain Distortion | X | X | X |
| • Picture Signal | X | X | X |
| • Synchronizing Signal | X | X | X |
| Differential Gain | X | X | X |
| Differential Phase | X | X | X |
| Chrominance-Luminance Intermodulation | X | X | X |

* The desired parameters are selected by the customer from the list of available parameters.

Tariff Advice 135-117

Issued to comply with Order No. 4 of the Regulatory Commission of Alaska in Docket No. U-13-188, dated April 22, 2014

Effective: February 20, 2015

Issued By: ACS OF FAIRBANKS, LLC

By: _____
 Lisa Phillips

Title: Manager, Regulatory Affairs

ACS OF FAIRBANKS, LLC d/b/a ALASKA COMMUNICATIONS SYSTEMS,
ALASKA COMMUNICATIONS, ACS LOCAL SERVICE, AND ACS

ACCESS SERVICES

11. Access Service Interfaces and Transmission Specifications (Cont'd)

11.2 Special Access Service (Cont'd)

11.2.1 Network Channel ("NCI") Codes (Cont'd)

E. Technical Specifications Packages Video Service (Cont'd)

| SD Code | Package | | |
|---------|---------|-----|-----|
| | TVC* | TV1 | TV2 |
| NC Code | TQ | TV | TW |

Audio Channel Parameters Associated with Video Service

| | | | |
|-------------------------------------|---|---|---|
| Insertion Gain | X | X | X |
| Amplitude/Frequency Characteristic | X | X | X |
| Total Harmonic Distortion and Noise | X | X | X |
| Maximum Steady-State Test Levels | X | X | X |
| Gain Differential Between Channels | X | X | |
| Phase Differential Between Channels | X | X | |
| Crosstalk | X | X | X |
| Audio-To-Video Time Differential | X | X | X |

The technical specifications are described in Technical Reference TR-NPL-000338.

* The desired parameters are selected by the customer from the list of available parameters.

Tariff Advice 135-117

Issued to comply with Order No. 4 of the Regulatory Commission of Alaska in Docket No. U-13-188, dated April 22, 2014

Effective: February 20, 2015

Issued By: ACS OF FAIRBANKS, LLC

By:

Lisa Phillips

Title: Manager, Regulatory Affairs

ACS OF FAIRBANKS, LLC d/b/a ALASKA COMMUNICATIONS SYSTEMS,
ALASKA COMMUNICATIONS, ACS LOCAL SERVICE, AND ACS

ACCESS SERVICES

11. Access Service Interfaces and Transmission Specifications (Cont'd)

11.2 Special Access Service (Cont'd)

11.2.2 Network Channel Interface ("NCI") Codes

The electrical interface with the Company for special access service, is defined by an interface code. There are interface codes for both the customer designated premises and the point of termination.

A. Parameter Codes and Options

Parameter

| <u>Code</u> | <u>Option</u> | <u>Definition</u> |
|-------------|---------------|--|
| AB - | | accepts 20 Hz ringing signal at customer's point of termination |
| AC - | | accepts 20 Hz ringing signal at customer's end user's point of termination |
| AH - | | analog high capacity interface |
| | - B | 60 kHz to 108 kHz (12 channels) |
| | - C | 312 kHz to 552 kHz (60 channels) |
| | - D | 564 kHz to 3084 kHz (600 channels) |
| CT - | | Centrex Tie Trunk Termination |
| DA - | | data stream in VF frequency band at customer's point of termination |
| DB - | | data stream in VF frequency band at customer's point of termination |
| DC - | | direct current or voltage |
| | - 1 | monitoring interface with series RC combination (McCulloh format) |
| | - 2 | Company energized alarm channel |

Tariff Advice 135-117

Issued to comply with Order No. 4 of the Regulatory Commission of Alaska in Docket No. U-13-188, dated April 22, 2014

Effective: February 20, 2015

Issued By: ACS OF FAIRBANKS, LLC

By: _____
Lisa Phillips

Title: Manager, Regulatory Affairs

ACS OF FAIRBANKS, LLC d/b/a ALASKA COMMUNICATIONS SYSTEMS,
 ALASKA COMMUNICATIONS, ACS LOCAL SERVICE, AND ACS

ACCESS SERVICES

11. Access Service Interfaces and Transmission Specifications (Cont'd)

11.2 Special Access Service (Cont'd)

11.2.2 Network Channel Interface ("NCI") Codes (Cont'd)

A. Parameter Codes and Options (Cont'd)

| <u>Parameter</u> | | <u>Definition</u> |
|------------------|---------------|---|
| <u>Code</u> | <u>Option</u> | |
| DS - | | digital hierarchy interface |
| | - 15 | 1.544 Mbps (DS1) format per Bellcore GR-54 plus D4 |
| | - 15E | 8-bit PCM encoded in one 64 Kbps of the DS1 signal |
| | - 15F | 8-bit PCM encoded in two 64 Kbps of the DS1 signal |
| | - 15G | 8-bit PCM encoded in three 64 Kbps of the DS1 signal |
| | - 15H | 14/11-bit PCM encoded in six 64 Kbps of the DS1 signal |
| | - 15J | 1.544 Mbps format per Bellcore GR-54 |
| | - 15K | 1.544 Mbps format per Bellcore GR-54 plus extended framing format |
| | - 15L | 1.544 Mbps (DS1) with SF signaling |
| | - 27 | 274.176 Mbps (DS4) |
| | - 27L | 274.176 Mbps (DS4) with SF signaling |
| | - 31 | 3.152 Mbps (DS1C) |
| | - 31L | 3.152 Mbps (DS1C) with SF signaling |
| | - 44 | 44.736 Mbps (DS3) |
| | - 44L | 44.736 Mbps (DS3) with SF signaling |
| | - 63 | 6.312 Mbps (DS2) |
| | - 63L | 6.312 Mbps (DS2) with SF signaling |
| DU - | | digital access interface |
| | - 24 | 2.4 Kbps |
| | - 48 | 4.8 Kbps |
| | - 19 | 19.2 Kbps |
| | - 56 | 56.0 Kbps |
| | - 96 | 9.6 Kbps |
| | - 64 | 64.0 Kbps |
| | - A | 1.544 Mbps format per Bellcore GR-54 |
| | - B | 1.544 Mbps format per Bellcore GR-54 plus D4 |
| | - C | 1.544 Mbps format per Bellcore GR-54 plus extended framing format |
| DX - | | duplex signaling interface at customer's point of termination |
| DY - | | duplex signaling interface at customer's end user's point of termination Tariff |

Tariff Advice 135-117

Issued to comply with Order No. 4 of the Regulatory Commission of Alaska in Docket No. U-13-188, dated April 22, 2014

Effective: February 20, 2015

Issued By: ACS OF FAIRBANKS, LLC

By: _____
 Lisa Phillips

Title: Manager, Regulatory Affairs

ACS OF FAIRBANKS, LLC d/b/a ALASKA COMMUNICATIONS SYSTEMS,
 ALASKA COMMUNICATIONS, ACS LOCAL SERVICE, AND ACS

ACCESS SERVICES

11. Access Service Interfaces and Transmission Specifications (Cont'd)

11.2 Special Access Service (Cont'd)

11.2.2 Network Channel Interface ("NCI") Codes (Cont'd)

A. Parameter Codes and Options (Cont'd)

| <u>Parameter</u> | | <u>Definition</u> |
|------------------|---------------|---|
| <u>Code</u> | <u>Option</u> | |
| EA - | E | Type I E&M Lead Signaling. Customer at POT or customer's end user at POT originates on E Lead |
| EA - | M | Type I E&M Lead Signaling. Customer at POT or customer's end user at POT originates on M Lead. |
| EB - | E | Type II E&M Lead Signaling. Customer at POT or customer's end user at POT originates on E Lead. |
| EB - | M | Type II E&M Lead Signaling. Customer at POT or customer's end user at POT originates on M Lead. |
| EC - | | Type III E&M signaling at customer POT |
| EX - | A | tandem channel unit signaling for loop start or ground start and customer supplies open end (dial tone, etc.) functions. |
| EX - | B | tandem channel unit signaling for loop start or ground start and customer supplies closed end (dial pulsing, etc.) functions. |
| GO - | | ground start loop signaling - open end function by customer or customer's end user. |
| GS - | | ground start loop signaling - closed end function by customer or customer's end user. |
| IA - | | E.I.A. (25 pin RS-232) |
| LA - | | end user loop start loop signaling-Type A OPS registered port open end. |
| LB - | | end user loop start loop signaling-Type B OPS registered port open end. |
| LC - | | end user loop start loop signaling-Type C OPS registered port open end |

Tariff Advice 135-117

Issued to comply with Order No. 4 of the Regulatory Commission of Alaska in Docket No. U-13-188, dated April 22, 2014

Effective: February 20, 2015

Issued By: ACS OF FAIRBANKS, LLC

By: _____
 Lisa Phillips

Title: Manager, Regulatory Affairs

ACS OF FAIRBANKS, LLC d/b/a ALASKA COMMUNICATIONS SYSTEMS,
ALASKA COMMUNICATIONS, ACS LOCAL SERVICE, AND ACS

ACCESS SERVICES

11. Access Service Interfaces and Transmission Specifications (Cont'd)

11.2 Special Access Service (Cont'd)

11.2.2 Network Channel Interface ("NCI") Codes (Cont'd)

A. Parameter Codes and Options (Cont'd)

- LO - loop start loop signaling - open end function by customer or customer's end user
- LR - 20 Hz automatic ringdown interface at customer with Company provided PLAR
- LS - loop start loop signaling - closed end function by customer or customer's end user
- NO - no signaling interface, transmission only

Parameter

| <u>Code</u> | <u>Option</u> | <u>Definition</u> |
|-------------|---------------|---|
| PG - | | program transmission - no dc signaling |
| | - 1 | nominal frequency from 50 to 15000 Hz |
| | - 3 | nominal frequency from 200 to 3500 Hz |
| | - 5 | nominal frequency from 100 to 5000 Hz |
| | - 8 | nominal frequency from 50 to 8000 Hz |
| PR - | | protective relaying* |
| RV - | 0 | reverse battery signaling, one way operation, originate by customer |
| | - T | reverse battery signaling, one way operation, terminate function by customer or customer's end user |
| SF - | | single frequency signaling with VF band at either customer POT or customer's end user POT |
| | - 2 | 20.0 milliamperes |
| | - 3 | 3.0 milliamperes |
| | - 6 | 62.5 milliamperes |
| TV - | | television interface |
| | - 1 | combined (diplexed) video and one audio signal |
| | - 2 | combined (diplexed) video and one audio signals |

Tariff Advice 135-117

Issued to comply with Order No. 4 of the Regulatory Commission of Alaska in Docket No. U-13-188, dated April 22, 2014

Effective: February 20, 2015

Issued By: ACS OF FAIRBANKS, LLC

By: _____
Lisa Phillips

Title: Manager, Regulatory Affairs

ACS OF FAIRBANKS, LLC d/b/a ALASKA COMMUNICATIONS SYSTEMS,
ALASKA COMMUNICATIONS, ACS LOCAL SERVICE, AND ACS

ACCESS SERVICES

11. Access Service Interfaces and Transmission Specifications (Cont'd)

11.2 Special Access Service (Cont'd)

11.2.2 Network Channel Interface ("NCI") Codes (Cont'd)

A. Parameter Codes and Options (Cont'd)

- 5 video plus one (or two) audio 5 kHz signal(s) or one (or two) two wire
- 15 video plus one (or two) audio 15 kHz signal(s)

* Available only for the transmission of audio tone protective relaying signals used in the protection of electric power systems during fault conditions.

B. Impedance

The nominal reference impedance with which the channel will be terminated for the purpose of evaluating transmission performance:

| Value (ohms) | Code(s) |
|--------------|---------|
| 110 | 0 |
| 150 | 1 |
| 600 | 2 |
| 900 | 3* |
| 135 | 5 |
| 75 | 6 |
| 124 | 7 |
| Variable | 8 |
| 100 | 9 |

* For those interface codes with a 4-wire transmission path at the customer designated POT, rather than a standard 900 ohm impedance the code (3) denotes a customer provided transmission equipment termination. Such terminations were provided to customers in accordance with the FCC Docket No. 20099 Settlement Agreement.

Tariff Advice 135-117

Issued to comply with Order No. 4 of the Regulatory Commission of Alaska in Docket No. U-13-188, dated April 22, 2014

Effective: February 20, 2015

Issued By: ACS OF FAIRBANKS, LLC

By:

Lisa Phillips

Title: Manager, Regulatory Affairs

ACS OF FAIRBANKS, LLC d/b/a ALASKA COMMUNICATIONS SYSTEMS,
 ALASKA COMMUNICATIONS, ACS LOCAL SERVICE, AND ACS

ACCESS SERVICES

11. Access Service Interfaces and Transmission Specifications (Cont'd)

11.2 Special Access Service (Cont'd)

11.2.2 Network Channel Interface ("NCI") Codes (Cont'd)

C. Compatible Network Channel Interfaces

(1) Voice Grade

| <u>Compatible CIs</u> | | <u>Compatible CIs</u> | | <u>Compatible CIs</u> | |
|-----------------------|--------|-----------------------|------|-----------------------|------|
| 2AB2 | 2AC2 | 2DB2 | 2DA2 | 2LR2 | 2LR2 |
| 2AB3 | 2AC2 | 2DB3 | 2DA2 | 2LR3 | 2LR2 |
| 2CT3 | 2DY2 | 2DX3 | 2LA2 | 2LS | 2GS |
| | 4DS8 | | 2LB2 | | 2LS |
| | 4DX2 | | 2LC2 | | 4GS |
| | 4DX3 | | 2L03 | | 4LS |
| | 4DY2 | | 2LS2 | | |
| | 4EA2-E | | 2LS3 | 2LS2 | 2LA2 |
| | 4EA2-M | | | | 2LB2 |
| | 4SF2 | 2GO2 | 2GS2 | | 2LC2 |
| | 4SF3 | | 2GS3 | | |
| | 6DX2 | | | 2LS3 | 2LA2 |
| | 6DY2 | 2GO3 | 2GS2 | | 2LB2 |
| | 6DY3 | | 2GS3 | | 2LC2 |
| | 6EA2-E | | | | |
| | 6EA2-M | 2GS | 2GS | 2NO2 | 2DA2 |
| | 6EB2-E | | 2LS | | 2NO2 |
| | 6EB2-M | | 4GS | | |
| | 6EB3-E | | 4LS | 2NO3 | 2NO2 |
| | 8EB2-E | | | | 2PR2 |
| | 8EB2-M | 2LO2 | 2LS2 | | |
| | 8EC2 | | 2LS3 | 2TF3 | 2TF2 |
| | 9DY2 | | | | |
| | 9DY3 | 2LO3 | 2LS2 | | |
| | 9EA2 | | 2LS3 | | |
| | 9EA3 | | | | |
| 4AB2 | 2AC2 | | | | |
| | 4AB2 | | | | |
| | 4AC2 | | | | |
| | 4SF2 | | | | |

Tariff Advice 135-117

Issued to comply with Order No. 4 of the Regulatory Commission of
 Alaska in Docket No. U-13-188, dated April 22, 2014

Effective: February 20, 2015

Issued By: ACS OF FAIRBANKS, LLC

By: _____
 Lisa Phillips

Title: Manager, Regulatory Affairs

ACS OF FAIRBANKS, LLC d/b/a ALASKA COMMUNICATIONS SYSTEMS,
 ALASKA COMMUNICATIONS, ACS LOCAL SERVICE, AND ACS

ACCESS SERVICES

11. Access Service Interfaces and Transmission Specifications (Cont'd)

11.2 Special Access Service (Cont'd)

11.2.2 Network Channel Interface ("NCI") Codes (Cont'd)

C. Compatible Network Channel Interfaces (Cont'd)

(1) Voice Grade (Cont'd)

| <u>Compatible CIs</u> | | <u>Compatible CIs</u> | <u>Compatible CIs</u> |
|-----------------------|----------------------|-----------------------|-----------------------|
| 4AB3 | 2AC2 4AC2 4SF2 | | |
| 4AC2 | 2AC2 4AC2 | 4DS8- | 4DS8- |
| | | 2AC2 | 4DG2 |
| | | 2DA2 | 4LR2 |
| | | 2DY2 | 4LS2 |
| | | 2GO2 | 4NO2 |
| 4DA2 | 4DA2 | 2GO3 | 4PR2 |
| | | 2GS2 | 4RV2-T |
| 4DB2 | 2DA2 | 2GS3 | 4SF2 |
| | 2NO2 | 2LA2 | 4SF3 |
| | 2PR2 | 2LB2 | 4TF2 |
| | 4DA2 | 2LC2 | 6DA2 |
| | 4DB2 | 2LO2 | 6DY2 |
| | 4NO2 | 2LO3 | 6DY3 |
| | 4PR2 | 2LR2 | 6EA2-E |
| | 6DA2 | 2LS2 | 6EA2-M |
| | | 2LS3 | 6EB2-E |
| 4DD3 | 2DE2 | 2NO2 | 6EB2-M |
| | 4DE2 | 2PR2 | 6GS2 |
| | | 2RV2-T | 6LS2 |
| | | 2TF2 | 8EB2-E |
| | | 4AC2 | 8EB2-M |
| | | 4DA2 | 9DY2 |
| | | 4DE2 | 9DY3 |
| | | 4DX2 | 9EA2 |
| | | 4DX3 | 9EA3 |
| | | 4DY2 | |
| | | 4EA2-E | |
| | | 4EA2-M | |

Tariff Advice 135-117

Issued to comply with Order No. 4 of the Regulatory Commission of
 Alaska in Docket No. U-13-188, dated April 22, 2014

Effective: February 20, 2015

Issued By: ACS OF FAIRBANKS, LLC

By: _____
 Lisa Phillips

Title: Manager, Regulatory Affairs

ACS OF FAIRBANKS, LLC d/b/a ALASKA COMMUNICATIONS SYSTEMS,
ALASKA COMMUNICATIONS, ACS LOCAL SERVICE, AND ACS

ACCESS SERVICES

11. Access Service Interfaces and Transmission Specifications (Cont'd)

11.2 Special Access Service (Cont'd)

11.2.2 Network Channel Interface ("NCI") Codes (Cont'd)

C. Compatible Network Channel Interfaces (Cont'd)

(1) Voice Grade (Cont'd)

| <u>Compatible CIs</u> | | <u>Compatible CIs</u> | | <u>Compatible CIs</u> | |
|-----------------------|--------|-----------------------|--------|-----------------------|--------|
| 4DX2 | 2DY2 | 4DX2 | 8EB2-E | 4DX3 | 6DY2 |
| | 2LA2 | | 8EB2-M | | 6DY3 |
| | 2LB2 | | 9DY2 | | 6EA2-E |
| | 2LC2 | | 9DY3 | | 6EA2-M |
| | 2LO3 | | 9EA2 | | 6EB2-E |
| | 2LS2 | | 9EA3 | | 6EB2-M |
| | 2LS3 | | | | 6LS2 |
| | 2RV2-T | 4DX3 | 2DY2 | | 8EB2-E |
| | 4DX2 | | 2LA2 | | 8EB2-M |
| | 4DY2 | | 2LB2 | | 9DY2 |
| | 4EA2-E | | 2LC2 | | 9DY3 |
| | 4EA2-M | | 2LO3 | | 9EA2 |
| | 4LS2 | | 2LS2 | | 9EA3 |
| | 4RV2-T | | 2LS3 | | |
| | 4SF2 | | 2RV2-T | 4DY2 | 2DY2 |
| | 4SF3 | | 4DX2 | | 4DY2 |
| | 6DY2 | | 4DX3 | | |
| | 6DY3 | | 4DY2 | | |
| | 6EA2-E | | 4EA2-E | | |
| | 6EA2-M | | 4EA2-M | | |
| | 6EM2-E | | 4LS2 | | |
| | 6EB2-M | | 4RV2-T | | |
| | 6LS2 | | 4SF2 | | |
| | | | 4SF3 | | |

Tariff Advice 135-117

Issued to comply with Order No. 4 of the Regulatory Commission of
Alaska in Docket No. U-13-188, dated April 22, 2014

Effective: February 20, 2015

Issued By: ACS OF FAIRBANKS, LLC

By: _____
Lisa Phillips

Title: Manager, Regulatory Affairs

ACS OF FAIRBANKS, LLC d/b/a ALASKA COMMUNICATIONS SYSTEMS,
 ALASKA COMMUNICATIONS, ACS LOCAL SERVICE, AND ACS

ACCESS SERVICES

11. Access Service Interfaces and Transmission Specifications (Cont'd)

11.2 Special Access Service (Cont'd)

11.2.2 Network Channel Interface ("NCI") Codes (Cont'd)

C. Compatible Network Channel Interfaces (Cont'd)

(1) Voice Grade (Cont'd)

| <u>Compatible CIs</u> | | <u>Compatible CIs</u> | | <u>Compatible CIs</u> | |
|-----------------------|--------|-----------------------|--------|-----------------------|------|
| 4EA2-E | 2DY2 | 4EA3-E | 2DY2 | 4GO2 | 2GO2 |
| | 4DY2 | | 4DY2 | | 2GO3 |
| | 4EA2-E | | 4EA2-E | | 2GS2 |
| | 4EA2-M | | 4EA2-M | | 2GS3 |
| | 4SF2 | | 4SF2 | | 4GS2 |
| | 6DY2 | | 6DY2 | | 4SF2 |
| | 6DY3 | | 6DY3 | | 6GS2 |
| | 6EB2-E | | 6EA2-E | | |
| | 6EB2-M | | 6EA2-M | 4GO3 | 2GO2 |
| | 8EB2-E | | 6EB2-E | | 2GS2 |
| | 8EB2-M | | 6EB2-M | | 2GS3 |
| | 9DY2 | | 8EB2-E | | 4GS2 |
| | 9DY3 | | 8EB2-M | | 4SF2 |
| | | | 9DY2 | | 6GS2 |
| 4EA2-M | 2DY2 | | 9DY3 | | |
| | 4DY2 | | 9EA2 | | |
| | 4EA2-M | | 9EA3 | 4GS | 2GS |
| | 4SF2 | | | | 2LS |
| | 6DY2 | | | | 4GS |
| | 6DY3 | | | | 4LS |
| | 6EB2-E | | | | |
| | 6EB2-M | | | | |
| | 8EB2-E | | | | |
| | 8EB2-M | | | | |
| | 9DY2 | | | | |
| | 9DY3 | | | | |

Tariff Advice 135-117

Issued to comply with Order No. 4 of the Regulatory Commission of
 Alaska in Docket No. U-13-188, dated April 22, 2014

Effective: February 20, 2015

Issued By: ACS OF FAIRBANKS, LLC

By: _____
 Lisa Phillips

Title: Manager, Regulatory Affairs

ACS OF FAIRBANKS, LLC d/b/a ALASKA COMMUNICATIONS SYSTEMS,
 ALASKA COMMUNICATIONS, ACS LOCAL SERVICE, AND ACS

ACCESS SERVICES

11. Access Service Interfaces and Transmission Specifications (Cont'd)

11.2 Special Access Service (Cont'd)

11.2.2 Network Channel Interface ("NCI") Codes (Cont'd)

C. Compatible Network Channel Interfaces (Cont'd)

(1) Voice Grade (Cont'd)

| <u>Compatible CIs</u> | | <u>Compatible CIs</u> | | <u>Compatible CIs</u> | |
|-----------------------|------|-----------------------|--------|-----------------------|--------|
| 4LO2 | 2LS2 | 4LS3 | 2LA2 | 4SF2 | 2LO3 |
| | 2LS3 | | 2LB2 | | 2LR2 |
| | 4LS2 | | 2LC2 | | 2LS2 |
| | 2SF2 | | 2LO2 | | 2LS3 |
| | 6LS2 | | 2LO3 | | 2RV2-T |
| | | | 4SF2 | | 4AC2 |
| 4LO3 | 2LS2 | | | | 4DY2 |
| | 2LS3 | 4NO2 | 2DA2 | | 4LS2 |
| | 4LS2 | | 2DE2 | | 4RV2-T |
| | 4SF2 | | 2NO2 | | 4SF2 |
| | 6LS2 | | 4DA2 | | 6DY2 |
| | | | 4DE2 | | 6DY3 |
| 4LR2 | 2LR2 | | 4NO2 | | 6GS2 |
| | 4LR2 | | 6DA2 | | 9DY2 |
| | 4SF2 | | | | 9DY3 |
| | | 4RV2-0 | 2RV2-T | | |
| 4LR3 | 2LR2 | | 4RV2-T | 4SF3 | 2DY2 |
| | 4LR2 | | 4SF2 | | 2GO3 |
| | 4SF2 | | | | 2GS2 |
| | | | | | 2GS3 |
| 4LS | 2GS | 4SF2 | 2AC2 | | 2LA2 |
| | 2LS | | 2DY2 | | 2LB2 |
| | 4GS | | 2GS2 | | 2LC2 |
| | 4LS | | 2GS3 | | 2LO3 |
| | | | 2LA2 | | 2LR2 |
| 4LS2 | 2LA2 | | 2LB2 | | |
| | 2LB2 | | 2LC2 | | |
| | 2LC2 | | | | |
| | 2LO2 | | | | |
| | 2LO3 | | | | |

Tariff Advice 135-117

Issued to comply with Order No. 4 of the Regulatory Commission of
 Alaska in Docket No. U-13-188, dated April 22, 2014

Effective: February 20, 2015

Issued By: ACS OF FAIRBANKS, LLC

By: _____
 Lisa Phillips

Title: Manager, Regulatory Affairs

ACS OF FAIRBANKS, LLC d/b/a ALASKA COMMUNICATIONS SYSTEMS,
 ALASKA COMMUNICATIONS, ACS LOCAL SERVICE, AND ACS

ACCESS SERVICES

11. Access Service Interfaces and Transmission Specifications (Cont'd)

11.2 Special Access Service (Cont'd)

11.2.2 Network Channel Interface ("NCI") Codes (Cont'd)

C. Compatible Network Channel Interfaces (Cont'd)

(1) Voice Grade (Cont'd)

| <u>Compatible CIs</u> | | <u>Compatible CIs</u> | | <u>Compatible CIs</u> | |
|-----------------------|--------|-----------------------|--------|-----------------------|--------|
| 4SF3 | 2LS2 | 6DA | 4DA2 | 6DY3 | 2DY2 |
| | 2LS3 | | 6DA2 | | 4DY2 |
| | 2RV2-T | | | | 6DY2 |
| | 4DY2 | 6DX2 | 2DY2 | | 6DY3 |
| | 4EA2-E | | 4DY2 | | |
| | 4EA2-M | | 4EA2-E | 6EA2-E | 2AC2 |
| | 4GS2 | | | | |
| | 4LR2 | | 4EA2-M | | 2DY2 |
| | 4LS2 | | 4SF2 | | 2LA2 |
| | 4RV2-T | | 6DY2 | | 2LB2 |
| | 4SF2 | | 6DY3 | | 2LC2 |
| | 4SF3 | | 6EA2-E | | 2LO3 |
| | 6DY2 | | 6EA2-M | | 2LS2 |
| | 6DY3 | | 6EB2-E | | 2LS3 |
| | 6EB2-E | | 6EB2-M | | 2RV2-T |
| | 6EB2-M | | 8EB2-E | | 4AC2 |
| | 6GS2 | | 8EB2-M | | 4DY2 |
| | 6LS2 | | 9DY2 | | 4EA2-E |
| | 9DY2 | | 9DY3 | | 4EA2-M |
| | 9DY3 | | 9EA2 | | 4LS2 |
| | 9EA2 | | 9EA3 | | 4RV2-T |
| | 9EA3 | | | | 4SF2 |
| | | 6DY2 | 2DY2 | | 4SF3 |
| 4TF2 | 2TF2 | | 4DY2 | | 6DY2 |
| | 4TF2 | | 6DY2 | | 6DY3 |
| | | | | | 6EA2-E |
| | | | | | 6EA2-M |

Tariff Advice 135-117

Issued to comply with Order No. 4 of the Regulatory Commission of
 Alaska in Docket No. U-13-188, dated April 22, 2014

Effective: February 20, 2015

Issued By: ACS OF FAIRBANKS, LLC

By: _____
 Lisa Phillips

Title: Manager, Regulatory Affairs

ACS OF FAIRBANKS, LLC d/b/a ALASKA COMMUNICATIONS SYSTEMS,
 ALASKA COMMUNICATIONS, ACS LOCAL SERVICE, AND ACS

ACCESS SERVICES

11. Access Service Interfaces and Transmission Specifications (Cont'd)

11.2 Special Access Service (Cont'd)

11.2.2 Network Channel Interface ("NCI") Codes (Cont'd)

C. Compatible Network Channel Interfaces (Cont'd)

(1) Voice Grade (Cont'd)

| <u>Compatible CIs</u> | | <u>Compatible CIs</u> | | <u>Compatible CIs</u> | |
|-----------------------|--------|-----------------------|--------|-----------------------|--------|
| 6EA2-E | 6EB2-E | 6EA2-M | 6DY2 | 6EB-3E | 2DY2 |
| | 6EB2-M | | 6DY3 | | 4DY2 |
| | 6LS2 | | 6EA2-M | | 4EA2-E |
| | 8EB2-E | | 6EB2-E | | 4EA2-M |
| | 8EB2-M | | 6EB2-M | | 4SF2 |
| | 9DY2 | | 6LS2 | | 6DY2 |
| | 9DY3 | | 8EB2-E | | 6DY3 |
| | | | 8EB2-M | | 6EA2-E |
| 6EA2-M | 2AC2 | | 9DY2 | | 6EA2-M |
| | 2DY2 | | 9DY3 | | 8EB2-E |
| | 2LA2 | | | | 8EB2-M |
| | 2LB2 | 6EB2-E | 2DY2 | | 9DY2 |
| | 2LC2 | | 4DY2 | | 9DY3 |
| | 2LO3 | | 4SF2 | | 9EA2 |
| | 2LS2 | | 6DY2 | | 9EA3 |
| | 2LS3 | | 6DY3 | | |
| | 2RV2-T | | 6EB2-E | 6EX2-A | 2GS2 |
| | 4AC2 | | 6EB2-M | | 2GS3 |
| | 4DY2 | | 9DY2 | | 2LS2 |
| | 4EA2-E | | 9DY3 | | 2LS3 |
| | 4EA2-M | | | | 4GS2 |
| | 4RLS2 | 6EB2-M | SDY2 | | 4LS2 |
| | 4RV2-T | | 4DY2 | | 4SF2 |
| | 4SF2 | | 4SF2 | | 6GS2 |
| | 4SF3 | | 6DY2 | | 6LS2 |
| | | | 6DY3 | | |
| | | | 6EB2-M | | |
| | | | 9DY2 | | |
| | | | 9DY3 | | |

Tariff Advice 135-117

Issued to comply with Order No. 4 of the Regulatory Commission of
 Alaska in Docket No. U-13-188, dated April 22, 2014

Effective: February 20, 2015

Issued By: ACS OF FAIRBANKS, LLC

By: _____
 Lisa Phillips

Title: Manager, Regulatory Affairs

ACS OF FAIRBANKS, LLC d/b/a ALASKA COMMUNICATIONS SYSTEMS,
 ALASKA COMMUNICATIONS, ACS LOCAL SERVICE, AND ACS

ACCESS SERVICES

11. Access Service Interfaces and Transmission Specifications (Cont'd)

11.2 Special Access Service (Cont'd)

11.2.2 Network Channel Interface ("NCI") Codes (Cont'd)

C. Compatible Network Channel Interfaces (Cont'd)

(1) Voice Grade (Cont'd)

| <u>Compatible CIs</u> | | <u>Compatible CIs</u> | | <u>Compatible CIs</u> | |
|-----------------------|------|-----------------------|--------|-----------------------|--------|
| 6EX2-B | 2GO3 | 8EB2-E | 2AC2 | 8EB2-M | 2AC2 |
| | 2LA2 | | 2DY2 | | 2DY2 |
| | 2LB2 | | 2LA2 | | 2LA2 |
| | 2LC2 | | 2LB2 | | 2LB2 |
| | 2LO2 | | 2LC2 | | 2LC2 |
| | 2LO3 | | 2LO3 | | 2LO3 |
| | 2LR2 | | 2LS2 | | 2LS2 |
| | 4LR2 | | 2LS3 | | 2LS3 |
| | 4SF2 | | 2RV2-T | | 2RV2-T |
| | | | 4AC2 | | 4AC2 |
| 6GO2 | 2GO2 | | 4DY2 | | 4DY2 |
| | 2GS2 | | 4LS2 | | 4LS2 |
| | 2GS3 | | 4RV2-T | | 4RV2-T |
| | 4GS2 | | 4SF2 | | 4SF2 |
| | 4SF2 | | 4SF3 | | 4SF3 |
| | 6GS2 | | 6DY2 | | 6DY2 |
| | | | 6DY3 | | 6DY3 |
| 6LO2 | 2LS2 | | 6EB2-E | | 6EB2-E |
| | 2LS3 | | 6EB2-M | | 6EB2-M |
| | 4LS2 | | 6LS2 | | 6LS2 |
| | 4SF2 | | 8EB2-E | | 8EB2-M |
| | 6LS2 | | 8EB2-M | | 9DY2 |
| | | | 9DY2 | | 9DY3 |
| 6LS2 | 2LA2 | | 9DY3 | | |
| | 2LB2 | | | | |
| | 2LC2 | | | | |
| | 2LO2 | | | | |
| | 2LO3 | | | | |
| | 4SF2 | | | | |

Tariff Advice 135-117

Issued to comply with Order No. 4 of the Regulatory Commission of
 Alaska in Docket No. U-13-188, dated April 22, 2014

Effective: February 20, 2015

Issued By: ACS OF FAIRBANKS, LLC

By: _____
 Lisa Phillips

Title: Manager, Regulatory Affairs

ACS OF FAIRBANKS, LLC d/b/a ALASKA COMMUNICATIONS SYSTEMS,
ALASKA COMMUNICATIONS, ACS LOCAL SERVICE, AND ACS

ACCESS SERVICES

11. Access Service Interfaces and Transmission Specifications (Cont'd)

11.2 Special Access Service (Cont'd)

11.2.2 Network Channel Interface ("NCI") Codes (Cont'd)

C. Compatible Network Channel Interfaces (Cont'd)

(1) Voice Grade (Cont'd)

| <u>Compatible CIs</u> | | <u>Compatible CIs</u> | | <u>Compatible CIs</u> | |
|-----------------------|--------|-----------------------|--------|-----------------------|--------|
| 8EC2 | 2DY2 | 9DY2 | 2DY2 | 9EA3 | 2DY2 |
| | 4DY2 | | 4DY2 | | 4DY2 |
| | 4EA2-E | | 6DY2 | | 4EA2-E |
| | 4EA2-M | | 6DY3 | | 4EA2-M |
| | 4SF2 | | 9DY2 | | 6DY2 |
| | 6DY2 | | | | 6DY3 |
| | 6DY3 | 9DY3 | 2DY2 | | 6EA2-E |
| | 6EA2-E | | 4DY2 | | 6EA2-M |
| | 6EA2-M | | 6DY2 | | 6EB2-E |
| | 6EB2-E | | 6DY3 | | 6EB2-M |
| | 6EB2-M | | 9DY2 | | 8EB2-E |
| | 8EB2-E | | 9DY3 | | 8EB2-M |
| | 8EB2-M | | | | 9DY2 |
| | 9DY2 | 9EA2 | 2DY2 | | 9DY3 |
| | 9DY3 | | 4DY2 | | 9EA3 |
| | 9EA2 | | 4EA2-E | | |
| | 9EA3 | | 4EA2-M | | |
| | | | 6DY2 | | |
| | | | 6DY3 | | |
| | | | 6EA2-E | | |
| | | | 6EA2-M | | |
| | | | 6EB2-E | | |
| | | | 6EB2-M | | |
| | | | 8EB2-E | | |
| | | | 8EB2-M | | |
| | | | 9DY2 | | |
| | | | 9DY3 | | |
| | | | 9EA2 | | |
| | | | 9EA3 | | |

Tariff Advice 135-117

Issued to comply with Order No. 4 of the Regulatory Commission of
Alaska in Docket No. U-13-188, dated April 22, 2014

Effective: February 20, 2015

Issued By: ACS OF FAIRBANKS, LLC

By: _____
Lisa Phillips

Title: Manager, Regulatory Affairs

ACS OF FAIRBANKS, LLC d/b/a ALASKA COMMUNICATIONS SYSTEMS,
 ALASKA COMMUNICATIONS, ACS LOCAL SERVICE, AND ACS

ACCESS SERVICES

11. Access Service Interfaces and Transmission Specifications (Cont'd)

11.2 Special Access Service (Cont'd)

11.2.2 Network Channel Interface ("NCI") Codes (Cont'd)

C. Compatible Network Channel Interfaces (Cont'd)

(2) Program Audio

| <u>Compatible CIs</u> | | <u>Compatible CIs</u> | |
|-----------------------|------------------|-----------------------|------------------|
| 2PG21 | 2PG1-1 2PG2-1 | 4DS8-15E | 2PG1-3 2PG2-3 |
| 2PG2-3 | 2PG1-3 2PG2-3 | 4DS8-15F | 2PG1-5 2PG2-5 |
| 2PG2-5 | 2PG1-5 2PG2-5 | 4DS8-15G | 2PG1-8 2PG2-8 |
| 2PG2-8 | 2PG1-8 2PG2-8 | 4DA8-15H | 2PG1-1 2PG2-1 |

(3) Video

| <u>Compatible CIs</u> | | <u>Compatible CIs</u> | |
|-----------------------|--------------------|-----------------------|--------------------|
| 2TV6-1 | 4TV6-15 4TV7-15 | 4TV7-5 | 4TV6-5 4TV7-5 |
| 2TV6-2 | 6TV6-15 6TV7-15 | 4TV7-15 | 4TV6-15 4TV7-15 |
| 2TV7-1 | 4TV6-15 4TV7-15 | 6TV6-5 | 6TV6-5 6TV7-5 |
| 2TV7-2 | 6TV6-15 6TV7-15 | 6TV6-15 | 6TV6-15 6TV7-15 |
| 4TV6-5 | 4TV6-5 4TV7-5 | 6TV7-5 | 6TV6-5 6TV7-5 |
| 4TV6-15 | 4TV6-15 4TV7-15 | 6TV7-15 | 6TV6-15 6TV7-15 |

Tariff Advice 135-117

Issued to comply with Order No. 4 of the Regulatory Commission of
 Alaska in Docket No. U-13-188, dated April 22, 2014

Effective: February 20, 2015

Issued By: ACS OF FAIRBANKS, LLC

By: _____
 Lisa Phillips

Title: Manager, Regulatory Affairs

ACS OF FAIRBANKS, LLC d/b/a ALASKA COMMUNICATIONS SYSTEMS,
 ALASKA COMMUNICATIONS, ACS LOCAL SERVICE, AND ACS

ACCESS SERVICES

11. Access Service Interfaces and Transmission Specifications (Cont'd)

11.2 Special Access Service (Cont'd)

11.2.2 Network Channel Interface ("NCI") Codes (Cont'd)

C. Compatible Network Channel Interfaces (Cont'd)

(4) Digital Data

| <u>Compatible CIs</u> | | <u>Compatible CIs</u> | | <u>Compatible CIs</u> | |
|-----------------------|---------------------|-----------------------|---------|-----------------------|---------|
| 4DS8-15 | 4DS8-15+ 4DU5-24 | 4DU5-24 | 4DU5-24 | 6DU5-24 | 6DU5-24 |
| | 4DU5-48 | 4DU5-48 | 4DU5-48 | 6DU5-48 | 6DU5-48 |
| | 4DU5-56 | | | | |
| | 4DU5-96 | 4DU5-96 | 4DU5-96 | 6DU5-56 | 6DU5-56 |
| | 6DU5-24 | | | | |
| | 6DU5-48 | | | | |
| | 6DU5-96 | 4DU8-56 | 4DU5-56 | 6DU5-96 | 6DU5-96 |

(5) High Capacity

| <u>Compatible CIs</u> | | <u>Compatible CIs</u> | |
|-----------------------|---|-----------------------|---|
| 4DSO-63 | 4DSO-63 4DU8-A, B, or C 6DU8-A, B, or C | 4DS8-15J | 4DU8-A 6DU8-A |
| 4DS6-27 | 4DS6-27 4DU8-A, B, or C 6DU8-A, B, or C | 4DS8-15K | 4DU8-B 4DU8-C 6DU8-B 6DU8-C |
| 4DS6-44 | 4DS6-44 4DU8-A, B, or C 6DU8-A, B, or C | 4DS8-31 | 4DS8-31 4DU8-A, B, or C 6DU8-A, B, or C |
| 4DS8-15 | 4DS8-15+ 4DU8-B 6DU8-8 | 4DU8-A, B or C | 4DU8-A, B, or C |

+ Available only as a cross connect of two digital channels at appropriate digital speeds at a Company hub.

Tariff Advice 135-117

Issued to comply with Order No. 4 of the Regulatory Commission of Alaska in Docket No. U-13-188, dated April 22, 2014

Effective: February 20, 2015

Issued By: ACS OF FAIRBANKS, LLC

By: _____
 Lisa Phillips

Title: Manager, Regulatory Affairs

ACS OF FAIRBANKS, LLC d/b/a ALASKA COMMUNICATIONS SYSTEMS,
ALASKA COMMUNICATIONS, ACS LOCAL SERVICE, AND ACS

ACCESS SERVICES

12. Public Packet Data Network

Public Packet Data Networks utilize separate data networks, comprised of switching and transmission facilities. The networks provide for the transfer of data provided by a customer in a frame format. The data is separated into discrete segments for transmission through the public packet data network.

12.1 Frame Relay Access Service

12.1.1 General

Frame Relay Access Service ("FRAS") is a medium-speed, connection-oriented packet-switched data service that allows for the interconnection of Local Area Networks ("LAN") or other compatible end user customer premises equipment for the purpose of connecting to an access customer's intrastate network. The terminal equipment accumulates the customer data and puts it into a frame relay format suitable for transmission over the FRAS network. This terminal equipment must conform to American National Standards Institute and Committee Consultant de International Telegraphique et Telephonique ("CITT") standards.

FRAS permits customers to share network bandwidth for data transmissions.

In addition to the regulations and charges specified in this section, the general regulations and charges specified in other sections of this tariff apply as appropriate.

A. Service Description

FRAS is a transport service that facilitates the exchange of variable length information units (frames) between customer connections. Frames travel a fixed path through the network with an address that specifies the permanent virtual connection. Addresses are read by the network processor and the frames are relayed to the preassigned destination.

The service includes: the end user port connection, the access customer port connection, and permanent virtual connections ("PVC") which have associated Committed Information Rates ("CIR"). A special access facility (ordered out of Section 7) is used to connect to the frame relay switch.

Tariff Advice 135-117

Issued to comply with Order No. 4 of the Regulatory Commission of
Alaska in Docket No. U-13-188, dated April 22, 2014

Effective: February 20, 2015

Issued By: ACS OF FAIRBANKS, LLC

By: _____
Lisa Phillips

Title: Manager, Regulatory Affairs

ACS OF FAIRBANKS, LLC d/b/a ALASKA COMMUNICATIONS SYSTEMS,
ALASKA COMMUNICATIONS, ACS LOCAL SERVICE, AND ACS

ACCESS SERVICES

12. Public Packet Data Network (Cont'd)

12.1 Frame Relay Access Service (Cont'd)

12.1.1 General (Cont'd)

A. Service Description (Cont'd)

The end user port connection permits FRAS compatible end user customer premises equipment ("CPE") to originate or terminate an intrastate access service. Connections between end user customer premises equipment and the Company frame relay switch are available at speeds of 56.0 kbps, 64.0 kbps, or 1.544 mbps. Each end user port connection requires the identification of a corresponding terminating port connection(s).

The access customer port connection connects the Company frame relay switch and the access customer's network. The facility connecting an access customer network to the Company frame relay switch is offered only at 1.544 mbps.

Connections are provided via Channel Terminations (Section 7). All regulations, rates and charges as specified in Section 7 will apply in addition to the rates and charges associated with FRAS.

All end user port connections must be in conformance with American National Standards Institute ("ANSI") standards T1.606-1990, T1.606 Addendum 1-1991, T1.606a-1992, T1.617, Annex D-1992. All access customer port connections must be in conformance with ANSI standards T1.606b-1993 and Bellcore Technical Reference TR-TSV-001370, Issued: May 1993.

PVCs are software defined, end-to-end, bi-directional communications paths that are established and dis-established via the access service order process. While no physical circuits are dedicated, the two network addresses (one from each port connection) are connected electronically to form a PVC.

There are two types of PVCs available. The standard PVC establishes a communications path between two ports on the same frame relay switch. The extended PVC establishes a communications path between two ports on two interconnected Company frame relay switches.

Tariff Advice 135-117

Issued to comply with Order No. 4 of the Regulatory Commission of Alaska in Docket No. U-13-188, dated April 22, 2014

Effective: February 20, 2015

Issued By: ACS OF FAIRBANKS, LLC

By:

Lisa Phillips

Title: Manager, Regulatory Affairs

ACS OF FAIRBANKS, LLC d/b/a ALASKA COMMUNICATIONS SYSTEMS,
ALASKA COMMUNICATIONS, ACS LOCAL SERVICE, AND ACS

ACCESS SERVICES

12. Public Packet Data Network (Cont'd)

12.1 Frame Relay Access Service (Cont'd)

12.1.1 General (Cont'd)

A. Service Description (Cont'd)

At the time service is ordered the number of PVCs will be identified along with their Committed Information Rates ("CIR"). CIR is the bit rate at which the FRAS network commits to transfer data. CIRs provide for frame relay switch throughput at designated speeds (Section 12.1.2.A.3). This information is required for network routing purposes.

B. Ordering Options and Conditions

Frame Relay Access Service is ordered under the access order provisions set forth in Section 5. Also included in that section are other charges that be associated with ordering FRAS (e.g., Service Date Change Charges, Cancellation Charges, etc.)

A minimum of two FRAS port connections are required for data to be transported between customer designated premises.

When placing an order for FRAS the customer must specify:

- the number of Permanent Virtual Connections ("PVC") required;
- the location of the ports for each PVC;
- the Committed Information Rates ("CIR") that will be associated with each PVC; and
- that the traffic consists of less than ten percent interstate traffic and more than ten percent intrastate traffic.

Tariff Advice 135-117

Issued to comply with Order No. 4 of the Regulatory Commission of
Alaska in Docket No. U-13-188, dated April 22, 2014

Effective: February 20, 2015

Issued By: ACS OF FAIRBANKS, LLC

By:

Lisa Phillips

Title: Manager, Regulatory Affairs

ACS OF FAIRBANKS, LLC d/b/a ALASKA COMMUNICATIONS SYSTEMS,
ALASKA COMMUNICATIONS, ACS LOCAL SERVICE, AND ACS

ACCESS SERVICES

12. Public Packet Data Network (Cont'd)

12.1 Frame Relay Access Service (Cont'd)

12.1.1 General (Cont'd)

B. Ordering Options and Conditions (Cont'd)

The port connecting the special access facility to the Company frame relay switch must be ordered and provided at the same speed as the special access facility.

When connecting to the port of another customer, the ordering customer must obtain authorization from the other customer.

When an extended PVC is ordered, the customer is responsible for placing the order with all Companies involved.

C. Acceptance Testing

At no additional charge, the Company will, at the customer's request, cooperatively test at the time of installation

Tariff Advice 135-117

Issued to comply with Order No. 4 of the Regulatory Commission of
Alaska in Docket No. U-13-188, dated April 22, 2014

Effective: February 20, 2015

Issued By: ACS OF FAIRBANKS, LLC

By:

Lisa Phillips

Title: Manager, Regulatory Affairs

ACS OF FAIRBANKS, LLC d/b/a ALASKA COMMUNICATIONS SYSTEMS,
ALASKA COMMUNICATIONS, ACS LOCAL SERVICE, AND ACS

ACCESS SERVICES

12. Public Packet Data Network (Cont'd)

12.1 Frame Relay Access Service (Cont'd)

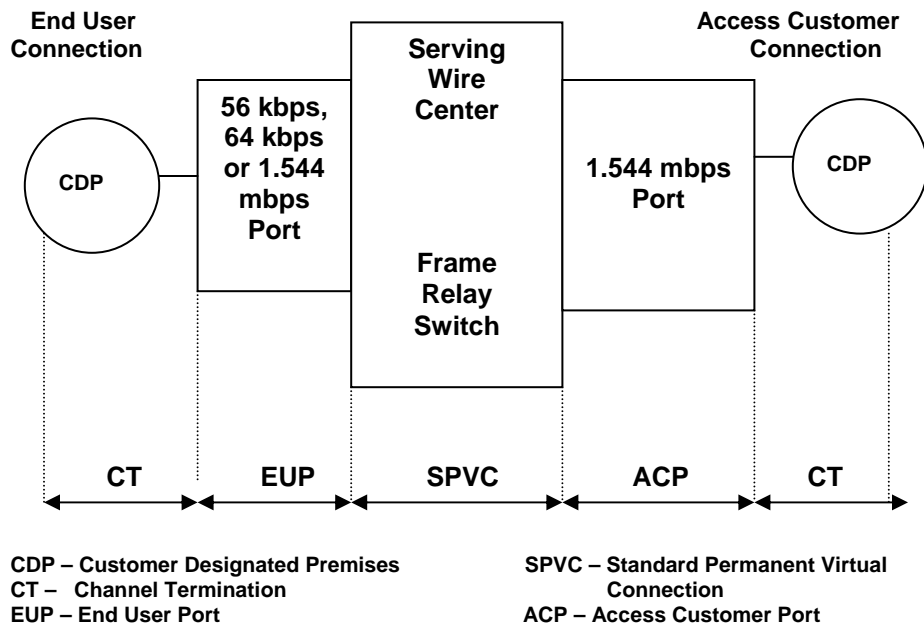
12.1.2 Rate Regulations

This section contains the specific regulations governing the rates and charges that apply for Frame Relay Access Service.

A. Rate Categories

The following diagrams depict a generic view of the components of FRAS and the manner in which the components are combined to provide Frame Relay Access Service and Interconnected Frame Relay Access Service.

Frame Relay Access Service



Tariff Advice 135-117

Issued to comply with Order No. 4 of the Regulatory Commission of Alaska in Docket No. U-13-188, dated April 22, 2014

Effective: February 20, 2015

Issued By: ACS OF FAIRBANKS, LLC

By: _____
Lisa Phillips

Title: Manager, Regulatory Affairs

ACS OF FAIRBANKS, LLC d/b/a ALASKA COMMUNICATIONS SYSTEMS,
ALASKA COMMUNICATIONS, ACS LOCAL SERVICE, AND ACS

ACCESS SERVICES

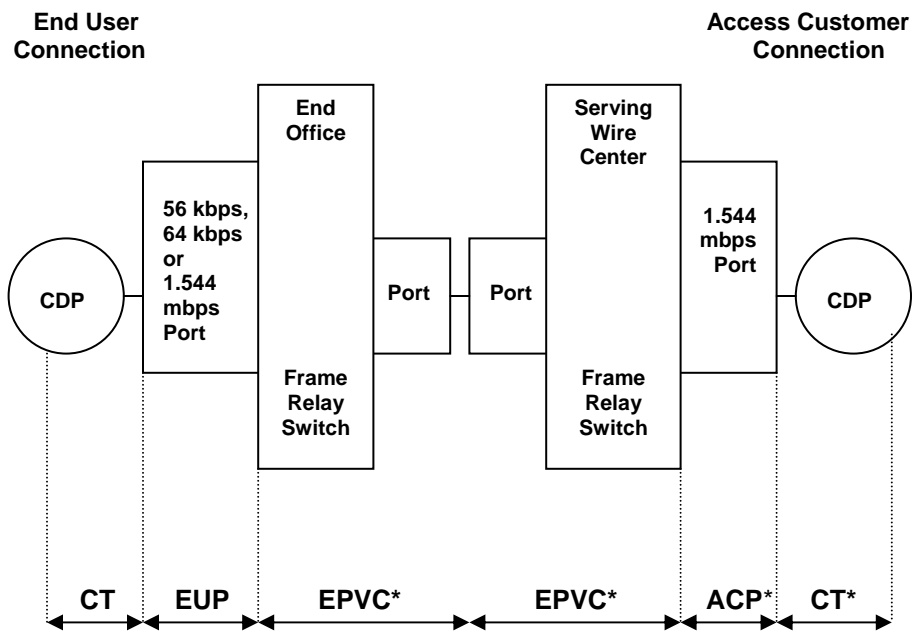
12. Public Packet Data Network (Cont'd)

12.1 Frame Relay Access Service (Cont'd)

12.1.2 Rate Regulations (Cont'd)

A. Rate Categories (Cont'd)

Frame Relay Access Service



CDP – Customer Designated Premises
CT – Channel Termination
EUP – End User Port

EPVC – Standard Permanent Virtual Connection
ACP – Access Customer Port

Tariff Advice 135-117

Issued to comply with Order No. 4 of the Regulatory Commission of Alaska in Docket No. U-13-188, dated April 22, 2014

Effective: February 20, 2015

Issued By: ACS OF FAIRBANKS, LLC

By: _____
Lisa Phillips

Title: Manager, Regulatory Affairs

ACS OF FAIRBANKS, LLC d/b/a ALASKA COMMUNICATIONS SYSTEMS,
ALASKA COMMUNICATIONS, ACS LOCAL SERVICE, AND ACS

ACCESS SERVICES

12. Public Packet Data Network (Cont'd)

12.1 Frame Relay Access Service (Cont'd)

12.1.2 Rate Regulations (Cont'd)

A. Rate Categories (Cont'd)

1. End User Port

The end user port is the physical location in the Company switching office where the special access facility of the customer connects to the FRAS network. It receives the data frame from the end user customer's Local Area Network or other compatible CPE device and verifies that the end user connection and the corresponding access customer connection are valid before re-laying the frame to the destination end point.

The end user port consists of either a 56.0 kbps, 64.0 kbps, or a 1.544 mbps port interface connection. The port connecting the special access facility to the Company frame relay switch must be ordered and provided at the same speed as the special access facility.

2. Access Customer Port

The access customer port is the physical location in the Company switching offices where the access customer's special access facility connects to the Company's FRAS network. It specifies how a frame relay switch sends and receives data from a frame relay access customer's network. The access customer port is offered at a speed of 1.544 mbps. The port connecting the special access facility to the Company frame relay switch must be ordered and provided at the same speed as the special access facility.

3. Permanent Virtual Connection ("PVC")

A PVC is a software defined communications path between two port connections within the FRAS network.

Tariff Advice 135-117

Issued to comply with Order No. 4 of the Regulatory Commission of
Alaska in Docket No. U-13-188, dated April 22, 2014

Effective: February 20, 2015

Issued By: ACS OF FAIRBANKS, LLC

By:

Lisa Phillips

Title: Manager, Regulatory Affairs

ACS OF FAIRBANKS, LLC d/b/a ALASKA COMMUNICATIONS SYSTEMS,
ALASKA COMMUNICATIONS, ACS LOCAL SERVICE, AND ACS

ACCESS SERVICES

12. Public Packet Data Network (Cont'd)

12.1 Frame Relay Access Service (Cont'd)

12.1.2 Rate Regulations (Cont'd)

A. Rate Categories (Cont'd)

3. Permanent Virtual Connection ("PVC") (Cont'd)

Each PVC is provisioned with a customer selected Committed Information Rate ("CIR"). The CIR is a transmission speed specified by the customer. CIRs range from 8 kbps to 768 kbps. The Company will provide switch capacity to permit the customer to transmit information with guaranteed delivery at the specified CIR. The Company will permit customers to attempt to transmit at speeds up to two times the CIR with no guarantee of completion. Attempted transmissions at above two times the CIR will not be permitted.

Customers will be permitted to order multiple PVCs on a given port subject to switch limitations. Customers anticipating non-simultaneous transmission may order CIRs assigned to these multiple PVCs, the sum of which may theoretically exceed the actual throughput of the port. However, when simultaneous transmission of multiple PVCs occurs, the total of the transmission rate ("CIR") may not exceed the actual throughput of the port.

There are two types of PVCs available. The standard PVC establishes a communications path between the end user port and the access customer port on the same frame relay switch. The extended PVC establishes a communications path between the end user port on a frame relay switch and an access customer port on another interconnected frame relay switch. The EPVC establishes a communications path between the end user port on a frame relay switch and an access customer port on another interconnected frame relay switch within the same local service calling area.

Tariff Advice 135-117

Issued to comply with Order No. 4 of the Regulatory Commission of
Alaska in Docket No. U-13-188, dated April 22, 2014

Effective: February 20, 2015

Issued By: ACS OF FAIRBANKS, LLC

By: _____
Lisa Phillips

Title: Manager, Regulatory Affairs

ACS OF FAIRBANKS, LLC d/b/a ALASKA COMMUNICATIONS SYSTEMS,
ALASKA COMMUNICATIONS, ACS LOCAL SERVICE, AND ACS

ACCESS SERVICES

12. Public Packet Data Network (Cont'd)

12.1 Frame Relay Access Service (Cont'd)

12.1.2 Rate Regulations (Cont'd)

B. Types of Rates and Charges

There are two types of rates and charges. They are monthly rates and nonrecurring charges. The rates and charges are described as follows:

1. Monthly Rates

Monthly rates are recurring rates that apply each month or fraction thereof that a FRAS is provided. For billing purposes, each month is considered to have 30 days.

2. Nonrecurring Charges

Nonrecurring charges are one-time charges that apply for specific work activity (i.e., installation or change to an existing service). The types of nonrecurring charges that apply for FRAS are: installation of service and service rearrangements. These charges are in addition to the Access Order Charge.

a. Installation of Service

Nonrecurring charges apply for the installation of PVCs.

b. Service Rearrangements

Service Rearrangements are changes to existing (installed) services.

A PVC Rearrangement Charge will be applied whenever a change is made to the CIR of an existing PVC after initial port installation and/or a change is made to the terminating port destination of the PVC.

Tariff Advice 135-117

Issued to comply with Order No. 4 of the Regulatory Commission of
Alaska in Docket No. U-13-188, dated April 22, 2014

Effective: February 20, 2015

Issued By: ACS OF FAIRBANKS, LLC

By:

Lisa Phillips

Title: Manager, Regulatory Affairs

ACS OF FAIRBANKS, LLC d/b/a ALASKA COMMUNICATIONS SYSTEMS,
ALASKA COMMUNICATIONS, ACS LOCAL SERVICE, AND ACS

ACCESS SERVICES

12. Public Packet Data Network (Cont'd)

12.1 Frame Relay Access Service (Cont'd)

12.1.2 Rate Regulations (Cont'd)

B. Types of Rates and Charges (Cont'd)

2. Nonrecurring Charges (Cont'd)

Administrative changes will be made without charge(s) to the customer. Administrative changes are as follows:

- Change of customer name;
- Change of customer or customer's end user premises address when the change of address is not a result of physical relocation of equipment;
- Change in billing data (name, address, or contact name or telephone number);
- Change of agency authorization;
- Change of customer circuit identification;
- Change of billing account number;
- Change of customer or customer's end user contact name or telephone number; and
- Change of jurisdiction.

C. Minimum Period

The minimum period for FRAS is one month and the full monthly rate will apply to the first month. Adjustments for quantities of services established or discontinued in any billing period beyond the minimum period are as set forth in Section 2.4.2. The minimum period for the Frame Relay Service 1.544 mbps port are as set forth in Section 2.4.2.A.

Tariff Advice 135-117

Issued to comply with Order No. 4 of the Regulatory Commission of Alaska in Docket No. U-13-188, dated April 22, 2014

Effective: February 20, 2015

Issued By: ACS OF FAIRBANKS, LLC

By: _____
Lisa Phillips

Title: Manager, Regulatory Affairs

ACS OF FAIRBANKS, LLC d/b/a ALASKA COMMUNICATIONS SYSTEMS,
ALASKA COMMUNICATIONS, ACS LOCAL SERVICE, AND ACS

13. RATES AND CHARGES

13.1 CARRIER COMMON LINE CHARGES

Rate

A. Monthly Rate Cap Per Monthly Access Line Count \$ 6.06

13.2 SWITCHED ACCESS SERVICE

Regulations concerning Switched Access Service are set forth in Sections 5 and 6.

13.2.1 NONRECURRING CHARGES

(A) Access Order \$ 81.00

(B) Service Date Change Charge \$ 34.00

(C) Design Change Charge \$ 34.00

(D) Miscellaneous Service Order Charge \$ 34.00

(E) Entrance Facility – Installation – Voice Grade \$ 140.43

Entrance Facility – Installation – DS1 \$ 169.45

Entrance Facility – Installation – DS3 \$ 190.99

Direct Trunk Transport Activation \$ 366.21

(F) Interim NXX Translation Per Order \$ 81.00

(G) Telecommunications Service Priority Charge Per circuit \$ 55.00

Tariff Advice 135-117

Issued to comply with Order No. 4 of the Regulatory Commission of
Alaska in Docket No. U-13-188, dated April 22, 2014

Effective: February 20, 2015

Issued By: ACS OF FAIRBANKS, LLC

By: _____
Lisa Phillips

Title: Manager, Regulatory Affairs

ACS OF FAIRBANKS, LLC d/b/a ALASKA COMMUNICATIONS SYSTEMS,
ALASKA COMMUNICATIONS, ACS LOCAL SERVICE, AND ACS

13. RATES AND CHARGES (Cont'd)

13.2 SWITCHED ACCESS SERVICE (Cont'd)

13.2.2 RECURRING CHARGES

| | | | |
|-----|---|--------------|-----|
| (A) | Entrance Facilities – Voice Grade | \$ 30.39 | |
| | Entrance Facilities – DS1 | \$ 104.68 | |
| | Entrance Facilities – DS3 | \$ 944.07 | |
| | Direct Trunk Transport Termination – Voice Grade | \$ 13.59 | |
| | Direct Trunk Transport Termination – DS1 | \$ 29.32 | |
| | Direct Trunk Transport Termination – DS3 | \$ 181.48 | |
| | Direct Trunk Transport Facility – Voice Grade | \$ 1.35 | |
| | Direct Trunk Transport Facility – DS1 | \$ 5.65 | |
| | Direct Trunk Transport Facility – DS3 | \$ 47.45 | |
| | Multiplexing DS1 to Voice Grade | \$ 82.65 | |
| | Multiplexing DS3 to DS1 | \$ 214.08 | |
| (B) | Local Switching Per Minutes of Use – Originating | \$ 0.007427 | |
| | Local Switching Per Minutes of Use – Terminating | \$ 0.001144 | (R) |
| | End Office Dedicated Trunk Ports – Per Port | \$ 4.65 | |
| | End Office Shared Trunk Ports – Per MOU | \$ 0.000098 | |
| (C) | Information Surcharge Per 100 Minutes – Originating | \$ 0.0025872 | |
| | Information Surcharge Per 100 Minutes – Terminating | \$ 0.0 | |
| (D) | TSP Database Charge Per Circuit | \$ 1.00 | |
| (E) | 800 Data Base Access Service Queries | Per Query | |
| | Basic | \$ 0.010634 | |
| | Basic with Vertical Feature | \$ 0.010634 | |

Tariff Advice 138-117

Effective: July 1, 2015

Issued By: ACS OF FAIRBANKS, LLC

By: _____
Lisa Phillips

Title: Manager, Regulatory Affairs

RCA NO. 117
Canceling:

Original

Sheet No.
Sheet No.

13-2

ACS OF FAIRBANKS, LLC d/b/a ALASKA COMMUNICATIONS SYSTEMS,
ALASKA COMMUNICATIONS, ACS LOCAL SERVICE, AND ACS

| | | |
|--------|---|--|
| 13. | <u>RATES AND CHARGES</u> (Cont'd) | |
| 13.2 | <u>SWITCHED ACCESS SERVICE</u> (Cont'd) | |
| 13.2.3 | <u>EQUAL ACCESS RECOVERY CHARGE</u> | <u>Rate</u> |
| | Monthly Rate Per Presubscribed Equal Access Line | \$ 0.102390 |
| 13.2.4 | <u>PRESUBSCRIPTION CHANGE CHARGE</u> | |
| | Per Telephone Exchange Service Line or Trunk | \$ 5.00 |
| 13.2.5 | <u>ASSUMED MINUTES OF USE</u> | <u>Assumed Minutes Per Month</u> |
| (A) | Feature Group A, Two Way Calling (1510 Originating, 2685 Terminating) | 4195 |
| (B) | Feature Group A, Originating Only | 1510 |
| (C) | Feature Group A, Terminating Only | 2685 |
| (D) | Feature Group B, Two Way Calling (3132 Originating, 5568 Terminating) | 8700 |
| (E) | Feature Group B, Originating Only | 3132 |
| (F) | Feature Group B, Terminating Only | 5568 |

Tariff Advice 135-117

Issued to comply with Order No. 4 of the Regulatory Commission of
Alaska in Docket No. U-13-188, dated April 22, 2014

Effective: February 20, 2015

Issued By: ACS OF FAIRBANKS, LLC

By: _____
Lisa Phillips

Title: Manager, Regulatory Affairs

ACS OF FAIRBANKS, LLC d/b/a ALASKA COMMUNICATIONS SYSTEMS,
 ALASKA COMMUNICATIONS, ACS LOCAL SERVICE, AND ACS

| 13. | <u>RATES AND CHARGES</u> (Cont'd) | Monthly Rate | Non- Recurring |
|--------|--|-----------------|-------------------|
| 13.3 | <u>SPECIAL ACCESS SERVICE</u> Regulations concerning charges associated with Special Access Service are set forth in 5.2 and 7.3. | | |
| 13.3.1 | <u>SURCHARGE FOR SPECIAL ACCESS SERVICE</u> Per Voice Grade Equivalent | \$ 25.00 | |
| 13.3.2 | <u>TELECOMMUNICATIONS SERVICE PRIORITY CHARGE</u> Per Circuit | \$ 1.00 | \$ 55.00 |
| 13.3.3 | <u>SPECIAL ACCESS ORDERING - PER ORDER</u> | | |
| | (A) Access Order Charge | | \$ 82.00 |
| | (B) Service Date Change Charge A Service Date Change Charge will apply on a per order per occurrence basis for each service date changed. The Access Order Charge as specified in 13.3.3(A) preceding does not apply. | | \$ 35.00 |
| | (C) Design Change Charge The Design Change Charge will apply on a per order per occurrence basis for each order requiring design change. | | \$ 35.00 |
| | (D) Miscellaneous Service Order Charge | | \$ 35.00 |

Tariff Advice 135-117

Issued to comply with Order No. 4 of the Regulatory Commission of Alaska in Docket No. U-13-188, dated April 22, 2014

Effective: February 20, 2015

Issued By: ACS OF FAIRBANKS, LLC

By: _____
 Lisa Phillips

Title: Manager, Regulatory Affairs

ACS OF FAIRBANKS, LLC d/b/a ALASKA COMMUNICATIONS SYSTEMS,
 ALASKA COMMUNICATIONS, ACS LOCAL SERVICE, AND ACS

13. RATES AND CHARGES (Cont'd)

13.3 SPECIAL ACCESS SERVICE (Cont'd)

13.3.4 VOICE GRADE SERVICE

Monthly

Non
 Recurring

Regulations concerning Voice Grade Service are set forth in
 Section 7.

(A) Channel Termination Per Termination

| | | |
|-----------|----------|-----------|
| 1. 2-Wire | \$ 38.75 | \$ 300.00 |
| 2. 4-Wire | \$ 61.74 | \$ 300.00 |

(B) Channel Mileage

| | | |
|--|----------|--|
| 1. Channel Mileage Facility Per Mile | | |
| a. 2-Wire | \$ 2.77 | |
| b. 4-Wire | \$ 2.77 | |
| 2. Channel Mileage Termination Per Termination | | |
| a. 2-Wire | \$ 27.72 | |
| b. 4-Wire | \$ 27.72 | |

(C) Optional Features and Functions

| | | |
|---|----------|-----------|
| 1. Bridging | | |
| a. Voice Bridging, per Port | | |
| 2-Wire | \$ 8.68 | \$ 101.76 |
| 4-Wire | \$ 8.68 | \$ 101.76 |
| b. Data Bridging, per Port | | |
| 2-Wire | \$ 5.13 | |
| 4-Wire | \$ 5.13 | |
| c. Telephoto Bridging, per Port | | |
| 2-Wire | \$ 5.13 | |
| 4-Wire | \$ 5.13 | |
| d. Dataphone Select-A-Station – Sequential Arrangement, Ports per Channel Connected | | |
| 2-Wire | \$ 18.51 | |
| 4-Wire | \$ 98.16 | |
| e. Dataphone Select-A-Station – Addressable Arrangement, Ports per Channel Connected | | |
| 2-Wire | \$ 19.81 | |
| 4-Wire | \$ 85.73 | |

Tariff Advice 135-117

Issued to comply with Order No. 4 of the Regulatory Commission of
 Alaska in Docket No. U-13-188, dated April 22, 2014

Effective: February 20, 2015

Issued By: ACS OF FAIRBANKS, LLC

By: _____
 Lisa Phillips

Title: Manager, Regulatory Affairs

ACS OF FAIRBANKS, LLC d/b/a ALASKA COMMUNICATIONS SYSTEMS,
 ALASKA COMMUNICATIONS, ACS LOCAL SERVICE, AND ACS

13. RATES AND CHARGES (Cont'd)

13.3 SPECIAL ACCESS SERVICE (Cont'd)

13.3.4 VOICE GRADE SERVICE (Cont'd)

Monthly Non
Recurring

(C) Optional Features and Functions (Cont'd)

1. Bridging (Cont'd)

- f. Telemetry and Alarm Bridging Active Bridging
 Channel Connections, Per Channel
 Connected

Split Band \$ 7.41
 Summation \$ 2.89

2. Conditioning Per Termination

- a. C Type
- b. Improved Attenuation Distortion
- c. Improved Envelope Delay Distortion
- d. Data Capability
- e. Telephoto Capability (VG11 & VGC)
 W/ DST at Customer Location

\$ 8.00 \$ 101.76
 \$ 8.00 \$ 25.44
 \$ 8.00 \$ 25.44
 \$ 8.00 \$ 152.64
 \$ 8.00 \$ 203.52
 \$ 8.96 \$ 203.52

3. Improved Return Loss for Effective Two-Wire to
 Four-Wire Transmission Per Termination

- a. 2-Wire
- b. 4-Wire

\$ 0.92 \$ 25.44
 \$ 0.92 \$ 25.44

4. Customer-Specified Receive Level, Per Two-Wire
 Termination

\$ 7.34

5. Signaling Capability – Per Termination

- a. VG1 – Loop Start Either End
- b. VG1 – Ground Start Either End
- c. VG2 – Loop Start Closed End Only
- d. VG2 – Ground Start to Centrex Station Line
 Only
- e. VG2 – 20 hz Ringdown
- f. VG3, VG7 – Loop Start
- g. VG3, VG7 – E&M
- h. VG8, VG9 – Loop Start at Closed End
- i. VG8, VG9 – E&M, SF, DX at Open End
- j. VG8, VG9 – E&M, at Closed End

\$ 10.45 \$ 50.88
 \$ 10.45 \$ 50.88
 \$ 10.45 \$ 50.88
 \$ 3.61 \$ 50.88
 \$ 3.61 \$ 50.88
 \$ 10.45 \$ 50.88
 \$ 10.45 \$ 50.88
 \$ 10.45 \$ 50.88
 \$ 10.45 \$ 50.88
 \$ 10.45 \$ 50.88

Tariff Advice 135-117

Issued to comply with Order No. 4 of the Regulatory Commission of
 Alaska in Docket No. U-13-188, dated April 22, 2014

Effective: February 20, 2015

Issued By: ACS OF FAIRBANKS, LLC

By: _____
 Lisa Phillips

Title: Manager, Regulatory Affairs

ACS OF FAIRBANKS, LLC d/b/a ALASKA COMMUNICATIONS SYSTEMS,
 ALASKA COMMUNICATIONS, ACS LOCAL SERVICE, AND ACS

13. RATES AND CHARGES (Cont'd)

13.3 SPECIAL ACCESS SERVICE (Cont'd)

13.3.4 VOICE GRADE SERVICE (Cont'd)

Monthly

Non
 Recurring

(C) Optional Features and Functions (Cont'd)

| | | | |
|----|--|---------|----------|
| 6. | Selective Signaling Arrangement, per Arrangement | \$ 5.42 | |
| 7. | Transfer Arrangement (Key Activated * or Dial Up **) – Per four port arrangement, including control channel termination (See Note 1) | \$ 0.60 | \$ 50.88 |
| 8. | Transfer Arrangement (Key Activated * or Dial Up **) – Per five port arrangement, including control channel termination (See Note 1) | \$ 0.60 | \$ 50.88 |

* The key activated is rated as a Voice grade Channel Termination and Channel Mileage, if applicable.

** The Dial-Up option requires the customer to purchase the Controller Arrangement.

Note 1 An additional Channel Termination Charge will apply whenever a spare channel is configured as a leg to the customer designated premises. Additional channel mileage charges will also apply when the transfer arrangement is not located in the customer designated premises serving wire center.

Tariff Advice 135-117

Issued to comply with Order No. 4 of the Regulatory Commission of
 Alaska in Docket No. U-13-188, dated April 22, 2014

Effective: February 20, 2015

Issued By: ACS OF FAIRBANKS, LLC

By: _____
 Lisa Phillips

Title: Manager, Regulatory Affairs

ACS OF FAIRBANKS, LLC d/b/a ALASKA COMMUNICATIONS SYSTEMS,
 ALASKA COMMUNICATIONS, ACS LOCAL SERVICE, AND ACS

13. RATES AND CHARGES (Cont'd)

13.3 SPECIAL ACCESS SERVICE (Cont'd)

13.3.5 DIGITAL DATA SERVICE

Monthly

Non
 Recurring

Regulations concerning digital Data Service are set forth in
 Section 7.

(A) Channel Terminations Per Termination

| | | | |
|----|-----------|----------|-----------|
| 1. | 2.4 kbps | \$ 71.82 | \$ 289.13 |
| 2. | 4.8 kbps | \$ 71.82 | \$ 289.13 |
| 3. | 9.6 kbps | \$ 71.82 | \$ 289.13 |
| 4. | 19.2 kbps | \$ 71.82 | \$ 289.13 |
| 5. | 56.0 kbps | \$ 71.82 | \$ 289.13 |
| 6. | 64.0 kbps | \$ 71.82 | \$ 289.13 |

(B) Channel Mileage
 Channel Mileage Facility Per Mile

| | | | |
|----|-----------|---------|--|
| 1. | 2.4 kbps | \$ 5.54 | |
| 2. | 4.8 kbps | \$ 5.54 | |
| 3. | 9.6 kbps | \$ 5.54 | |
| 4. | 19.2 kbps | \$ 5.54 | |
| 5. | 56.0 kbps | \$ 5.54 | |
| 6. | 64.0 kbps | \$ 5.54 | |

Channel Mileage Termination Per Termination

| | | | |
|----|-----------|---------|--|
| 1. | 2.4 kbps | \$55.44 | |
| 2. | 4.8 kbps | \$55.44 | |
| 3. | 9.6 kbps | \$55.44 | |
| 4. | 19.2 kbps | \$55.44 | |
| 5. | 56.0 kbps | \$55.44 | |
| 6. | 64.0 kbps | \$55.44 | |

(C) Optional Features and Functions

| | | | |
|----|---|---------|-----------|
| 1. | Bridging, Per Port | \$ 8.68 | \$ 101.76 |
| 2. | Loop Transfer Arrangement (Key Activated * or Dial Up **) Per four port arrangement (See Note 1) | \$ 5.10 | |

* The key activated control channel is rated as a Voice grade Channel Termination and Channel Mileage, if applicable.

** The Dial-Up option requires the customer to purchase the Controller Arrangement.

Note 1 An additional Channel Termination Charge will apply whenever a spare channel is configured as a leg to the customer designated premises. Additional channel mileage charges will also apply when the transfer arrangement is not located in the customer designated premises serving wire center.

Tariff Advice 135-117

Issued to comply with Order No. 4 of the Regulatory Commission of
 Alaska in Docket No. U-13-188, dated April 22, 2014

Effective: February 20, 2015

Issued By: ACS OF FAIRBANKS, LLC

By: _____
 Lisa Phillips

Title: Manager, Regulatory Affairs

ACS OF FAIRBANKS, LLC d/b/a ALASKA COMMUNICATIONS SYSTEMS,
 ALASKA COMMUNICATIONS, ACS LOCAL SERVICE, AND ACS

13. RATES AND CHARGES (Cont'd)

13.3 SPECIAL ACCESS SERVICE (Cont'd)

13.3.6 HIGH CAPACITY SERVICE

Monthly

Non-
 Recurring

Regulations concerning High Capacity Service are set forth in Section 7.

(A) Channel Termination Per Termination

| | | | |
|----|--|-------------------------|------------|
| 1. | DS-1 - 1.544 Mbps Per mile, over 3 miles | \$ 201.60 \$ 23.94 | \$ 332.74 |
| 2. | DS-3 - 44.736 Mbps Per mile, over 3 miles | \$2,331.00 \$ 214.20 | \$1,100.00 |

(B) Channel Mileage

Channel Mileage Facility per Mile

| | | |
|----|--------------------|-----------|
| 1. | 64.0 Kbps | \$ 6.80 |
| 2. | DS-1 - 1.544 Mbps | \$ 25.45 |
| 3. | DS-3 - 44.736 Mbps | \$ 258.30 |

Channel Mileage Termination Per Termination

| | | |
|----|--------------------|-----------|
| 1. | 64.0 Kbps | \$ 68.00 |
| 2. | DS-1 - 1.544 Mbps | \$ 117.81 |
| 3. | DS-3 - 44.736 Mbps | \$ 611.10 |

(C) Optional Features and Functions

| | | |
|----|---|-----------|
| 1. | Multiplexing, Per Arrangement | |
| a. | DS3 to DS1 Mux | \$ 276.89 |
| b. | DS1 to Voice * | \$ 167.00 |
| c. | DS1 to DS0 Mux | \$ 105.21 |
| d. | DS0 to Subrates up to 20 2.4 Kbps | \$ 332.16 |
| e. | DS0 to Subrates up to 10 4.8 Kbps | \$ 240.10 |
| f. | DS0 to Subrates up to 5 9.6 Kbps | \$ 209.45 |
| 2. | Automatic Loop Transfer, Per Arrangement ** | \$ 8.85 |

* A channel of this DS-1 to the Hub can be used for Digital Data Service.

** An additional Channel Termination Charge will apply whenever the spare line is provided as a leg to the customer designated premises.

Tariff Advice 135-117

Issued to comply with Order No. 4 of the Regulatory Commission of Alaska in Docket No. U-13-188, dated April 22, 2014

Effective: February 20, 2015

Issued By: ACS OF FAIRBANKS, LLC

By: _____
 Lisa Phillips

Title: Manager, Regulatory Affairs

ACS OF FAIRBANKS, LLC d/b/a ALASKA COMMUNICATIONS SYSTEMS,
ALASKA COMMUNICATIONS, ACS LOCAL SERVICE, AND ACS

13. RATES AND CHARGES (Cont'd)

13.3 SPECIAL ACCESS SERVICE (Cont'd)

13.3.6 HIGH CAPACITY SERVICE (Cont'd) Monthly Non-Recurring

(C) Optional Features and Functions (Cont'd)

- 3. Transfer Arrangement (Key Activated * or Dial Up **) Per Four Port Arrangement, Including Control Channel Termination (See Note 1) \$ 143.61

13.4 ADDITIONAL ENGINEERING, ADDITIONAL LABOR AND MISCELLANEOUS SERVICE

Regulations concerning Additional Engineering, Additional Labor and Miscellaneous Services are set forth-in Section 9.

The rates set forth below are charged for each half hour or fraction thereof, unless otherwise noted.

| (A) The Charges for Additional Engineering are as follows: | <u>Rate per 1/2 hour</u> |
|--|------------------------------|
| 1. <u>BASIC TIME</u> , normally scheduled working hours, per engineer | \$ 46.58 |
| 2. <u>OVERTIME</u> , outside of normally scheduled working hours on a scheduled work day, per engineer *** | \$ 69.87 |
| 3. <u>PREMIUM TIME</u> , outside of normally scheduled work day, per engineer *** | \$ 93.16 |

* The key activated control channel is rated as a Voice grade Channel Termination and Channel Mileage, if applicable.

** The Dial-Up option requires the customer to purchase the Controller Arrangement.

*** A call-out of an employee at a time not consecutive with the employee's scheduled working period is subject to a minimum charge of four hours.

Note 1 An additional Channel Termination Charge will apply whenever a spare channel is configured as a leg to the customer designated premises. Additional channel mileage charges will also apply when the transfer arrangement is not located in the customer designated premises serving wire center.

Tariff Advice 135-117

Issued to comply with Order No. 4 of the Regulatory Commission of Alaska in Docket No. U-13-188, dated April 22, 2014

Effective: February 20, 2015

Issued By: ACS OF FAIRBANKS, LLC

By: _____
Lisa Phillips

Title: Manager, Regulatory Affairs

ACS OF FAIRBANKS, LLC d/b/a ALASKA COMMUNICATIONS SYSTEMS,
ALASKA COMMUNICATIONS, ACS LOCAL SERVICE, AND ACS

13. RATES AND CHARGES (Cont'd)

13.4 ADDITIONAL ENGINEERING, ADDITIONAL LABOR AND MISCELLANEOUS SERVICE (Cont'd)

The rates set forth below are charged for each half hour or fraction thereof, unless otherwise noted.

| (B) The Charges for Additional Labor are as follows: | <u>Rate per 1/2 hour</u> |
|--|------------------------------|
| 1. <u>INSTALLATION AND REPAIR</u> | |
| a. <u>OVERTIME</u> , outside of normally scheduled working hours on a scheduled work day, per technician * | \$ 59.72 |
| b. <u>PREMIUM TIME</u> , outside of normally scheduled work day, per technician * | \$ 79.62 |
| 2. <u>STANDBY</u> | |
| a. <u>BASIC TIME</u> , normally scheduled working hours, per technician | \$ 39.81 |
| a. <u>OVERTIME</u> , outside of normally scheduled working hours on a scheduled work day, per technician * | \$ 59.72 |
| b. <u>PREMIUM TIME</u> , outside of normally scheduled work day, per technician * | \$ 79.62 |
| (C) Testing and Maintenance With Other Telephone Companies or Other Labor | |
| 1. <u>INSTALLATION AND REPAIR</u> | |
| a. <u>BASIC TIME</u> , normally scheduled working hours, per technician * | \$ 39.81 |
| b. <u>OVERTIME</u> , outside of normally scheduled working hours on a scheduled work day, per technician * | \$ 59.72 |
| c. <u>PREMIUM TIME</u> , outside of scheduled work day, per technician * | \$ 79.62 |

* A call-out of an employee at a time not consecutive with the employee's scheduled working period is subject to a minimum charge of four hours.

Tariff Advice 135-117
Issued to comply with Order No. 4 of the Regulatory Commission of Alaska in Docket No. U-13-188, dated April 22, 2014
Effective: February 20, 2015

Issued By: ACS OF FAIRBANKS, LLC

By: _____
Lisa Phillips

Title: Manager, Regulatory Affairs

ACS OF FAIRBANKS, LLC d/b/a ALASKA COMMUNICATIONS SYSTEMS,
ALASKA COMMUNICATIONS, ACS LOCAL SERVICE, AND ACS

13. RATES AND CHARGES (Cont'd)

13.4 ADDITIONAL ENGINEERING, ADDITIONAL LABOR AND MISCELLANEOUS SERVICE
(Cont'd)

(C) Testing and Maintenance With Other Telephone Companies or Other
Labor (Cont'd)

The rates set forth below are charged for each half hour or fraction thereof, unless otherwise
noted.

2. CENTRAL OFFICE MAINTENANCE

Rate per
1/2 hour

- a. BASIC TIME, normally scheduled working hours, per technician \$ 39.81
- b. OVERTIME, outside of normally scheduled working hours on a scheduled work day, per technician * \$ 59.72
- c. PREMIUM TIME, outside of scheduled work day, per technician * \$ 79.62

13.5 END USER ACCESS SERVICE

13.5.1 Network Access Fee \$ 5.25

The Network Access Fee is assessed per line, per month. Regulations concerning the Network Access Fee are set forth in Section 4.

* A call-out of an employee at a time not consecutive with the employee's scheduled working period is subject to a minimum charge of four hours.

Tariff Advice 135-117

Issued to comply with Order No. 4 of the Regulatory Commission of Alaska in Docket No. U-13-188, dated April 22, 2014

Effective: February 20, 2015

Issued By: ACS OF FAIRBANKS, LLC

By: _____
Lisa Phillips

Title: Manager, Regulatory Affairs